

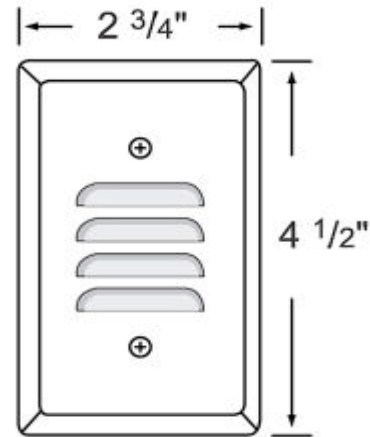


RP

LIGHTING • FANS

Type:
Project:
Comments:
Prepared By:

Category #:	8905
Family:	8900
Product Category:	Step light
Description:	Mini Incandescent Step Light
Finishes:	White, brushed aluminum and light almond
Design Features	
Dimmable	No
IC rating	IC rated for direct contact w/ insulation
Cover	Horizontal and vertical faceplate included
CRI	80
Color Temperature	3000K
Wattage	7W
Voltage	120V-60Hz
Lamp	Incandescent
Warranty	1 year limited warranty
Listing	
ETL/UL	ETLus for damp location



CONTACT US- Toll Free: 1-800-937-6925 Fax: 1-888-207-9509 or visit our website at www.rplighting.com