

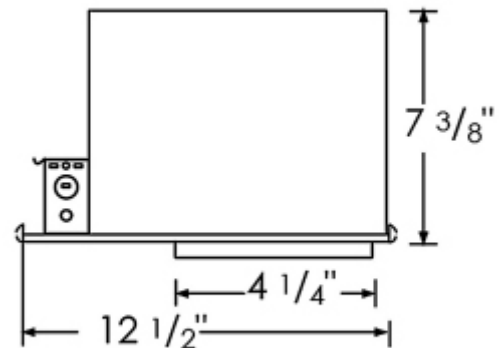


RP

LIGHTING • FANS

Type:
Project:
Comments:
Prepared By:

Part #	8204HA-G
Category #:	8204
Family:	Recessed
Product Category:	GU10 Line Voltage
Description:	4" IC Airtight Line voltage GU10 can
Design Features	
Connectors	3 part quick connectors pre installed in all J Boxes
Construction	Double Wall construction
Thermal Protection	Protected against misuse of insulation and improper wiring
IC Rating	IC rated for direct contact with non-cellulose insulation
J Box	Listed for feed through wiring (4 in-4 out) and seven ½" knockouts
Bar hangers	Pre installed allowing for position at any point w/in a 24" joist span. Can be turned 90° on plaster frame, & to fit T-bar spine w/out additional clamps for use in drop ceilings.
Nails	Pre installed captive nails on bar hangers
Wattage	50W Max
Voltage	120V-60Hz
Lamps	GU10, PAR16
Warranty	1 year limited warranty
Listing	
ETL/UL	cULus certified
Meets Washington's State energy code for restricted airflow	



Trim Options

	Type	Item#	Finishes	O.D.
	Baffle 120V, 50W, GU-10	8802	White w/ white ring Optional Black ring	5"
	Shower, Satin Glass 120V, 50W, GU-10	8803	White	5"
	Reflector 120V, 50W, GU-10	8804	Finishes: Haze, white clear & black Optional BA or BK	5"
	Shower, Satin Bubble Glass 120V, 50W, GU-10	8805	Wet location listed. White	5"
	Eyeball 120V, 50W, GU-10	8806	White	5"
	Slotted Aperture 120V, 50W, GU-10	8808ST	White	5"
	Eyeball w/White Baffle 120V, 50W, GU-10	8815	White	5"
	Wall Wash 120V, 50W, GU-10	8816	White	5"
	Pin Hole 120V, 35W, GU-10	8819	White	5"
	Gimbal 120V, 50W, GU-10	8841	Brushed aluminum, black, white	5"

Additional Information

1. Socket is adjustable up to 30° from horizontal
2. Adjusts to fit up to 1" ceiling thickness.
3. 7-3/8" height allows use in 2" x 8" joist construction.