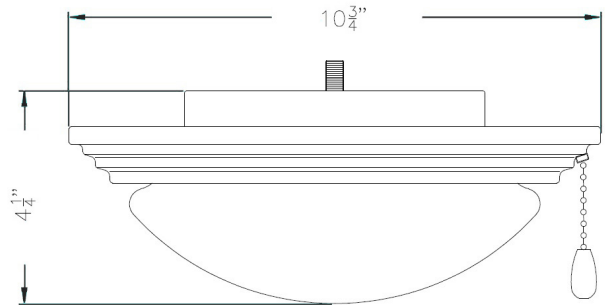


1RP84LED

120V

Catalog #:		Type
Project:		Date
Prepared by:		

Ceiling Fan LED Light Kit



DESCRIPTION

A versatile LED Ceiling Fan Light Kit solution that easily converts your old fan light into an energy efficient LED light. It comes complete with an integrated LED light engine - no additional light bulbs needed. This light kit is available in several color options that not only matches your ceiling fan finish it will also match your home decor.

DESIGN FEATURES

Construction

- Durable steel frame
- Frosted Glass lens

Electrical

- 120V-60Hz
- Integral LED | 17W | 950 lms (delivered)
- 3000K | 90 CRI
- Dimmable Triac or ELV, 10-100%
- 50,000 hour project life

Installation

- Compatible with all dry location RP Lighting Ceiling Fans
- Will maintain Energy Star Listing when used with a Energy Star Listed RP Lighting Ceiling Fan

Control

- Pull Chain Standard
- Wall and Remote Control Options Available with Selected Fan

Certifications

- cETLus listed for dry location
- Energy Star Listed (*MBK not Energy Star Listed*)
- CEC JA8 Compliant (*MBK not JA8 Listed*)
- LED Light Source: 5 Year Limited Warranty
- Other Components: 1 year Limited Warranty

ORDERING GUIDE

Example: 1RP84BN-LED

Model #	Finish	LED
1RP84LED		-LED
1RP84LED	BN : Brushed Nickel OB : Oil Rubbed Bronze WH : White BK : Black MBK : Matte Black	-LED



MBK Not JA8 Listed



MBK Not ES Listed



LED Lamp



Other Components



TEL: 800.937.6925 | Fax: 800.207.9509 | www.rplighting.com

Specifications and dimensions subject to change without notice.

5/26/23 R2



RP LIGHTING · FANS