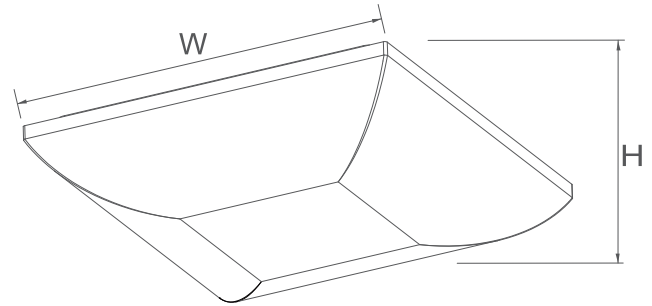


4320, 4322

120V

Catalog #:		Type
Project:		Date
Prepared by:		

LED Ceiling Mount



LED Ceiling Mount

DESCRIPTION

Update your decor with this sleek LED Ceiling Mount Fixture is an energy efficient LED light that comes complete with an integrated LED light engine - no additional light bulbs needed. This fixture is mounted on a ceiling to provide light anywhere you need it.

DESIGN FEATURES

Construction

- Durable steel construction
- Built in high efficiency warm white LEDs
- Operation temperature -31°F (-35°C)
- 113°F (45°C)

Electrical

- 120V AC-Driver on Board (DOB)
- 10-100% Triac dimmable
- 50,000 hour projected life
- Available in 3000K
- CRI 82
- Beam Angle: 120°
- 4320: 15.5W | 1044lms | 67.4lm/W
- 4322: 23W | 1503lms | 65.3lm/W

Lens

- Acrylic diffuser

Dimensions (W x H)

- 4320: 11" x 2-1/2"
- 4322: 14-1/2" x 3"

Finish

- Available in white (WH)

Certifications

- Energy Star listed
- cCSAus listed for damp location
- 5 year limited warranty

ORDERING

Example: 4320-WH

Model		Finish	
4320	:	4320	WH
4322	:	4322	:
			White



TEL: 800.937.6925 | Fax: 800.207.9509 | www.rplighting.com

Specifications and dimensions subject to change without notice.