

# 8556

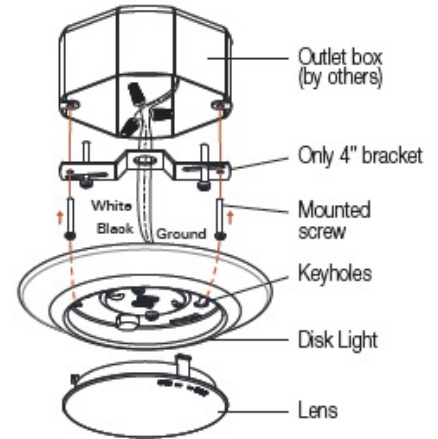
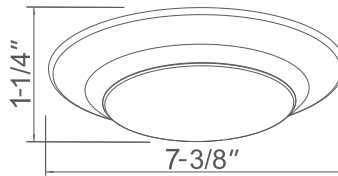
120V

Catalog #:		Type
Project:		Date
Prepared by:		

## 6" LED Low-Profile Disk Light



**Also available:**  
As a retrofit with torsion springs and an E26 base adapter



6" LED Disc Light

### DESCRIPTION

The 8556 is a 6" LED Disc Light that makes upgrading to an energy efficient LED down light solution easier than ever. Flexible for use in both retrofit and new construction applications, and suitable for use in wet locations, this is a ideal choice for most any residential or light-commercial application.

### DESIGN FEATURES

#### Construction

- Durable steel construction

#### Electrical

- Available in 120V | 277V available by request only
- Triac dimmable down to 0%
- Suitable for use in wet locations
- 50,000 hour projected life
- 8556-90: 90 CRI | 15W | 1000lms
- 8556-80: 80 CRI | 15W | 835lms
- Max fixture load is 30 fixtures per 600W dimmer
- Retrofit version includes torsion springs for mounting in most 5/6" housings and an E26 base adapter
- Available in 2700K, 3000K, 4000K or 5000K

#### Installation

- Mounting bracket fits most 3/O (3") or 4/O (4") j-box applications
- Dimensions: 7-3/8" Ø x 1-1/4" Height

#### Lens

- Frosted polycarbonate lens protects LEDs and provides a uniform distribution of light

#### Finish

- Available in Black, Brushed Nickel, or White

#### Certifications

- cCSAus for use in wet locations
- Energy Star listed
- JA8 and State of California Title 24 Compliant
- 5 year limited warranty

#### ORDERING

Example: 8556BN-90-3K-R

Model #	Finish	CRI	CCT	Retrofit
8556				
8556	WH : White BN : Brushed Nickel BK : Black	-90	-27K -3K -4K -5K	-R



TEL: 800.937.6925 | Fax: 800.207.9509 | [www.rplighting.com](http://www.rplighting.com)

Specifications and dimensions subject to change without notice.

