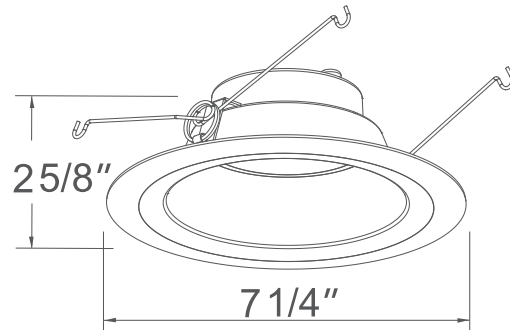


8563

120V/277V

Catalog #:		Type
Project:		Date
Prepared by:		

6" LED Reflector



6" LED Reflector

DESCRIPTION

The 8563 is a 6" LED Reflector that is a quick, easy, and affordable way to upgrade to an energy efficient LED down light solution. Flexible for use in both retrofit and new construction applications, and suitable for use in wet locations, this is a ideal choice for most any residential or light-commercial environment.

DESIGN FEATURES

Construction

- Spun aluminum housing provides ample heatsinking
- Lens: Polycarbonate diffused lens

Electrical

- 120V | *277V available via special order
- Dimmable
- Suitable for use in wet locations
- 50,000 hour projected life
- 13W | 795lms
- Available in 3000 or 4000K
- Beam Angle: 92.7°

Installation

- Simple and easy 6" recessed housing installation
- E26 adapter is standard

Finish

- Available in white, black, clear, oil rubbed bronze, and brushed nickel

Dimensions

- Height: 2-5/8" x Width: 7-1/4"

Certifications

- Energy Star
- cETLus Certified for Wet locations
- California 24 Title listed
- 5 year limited warranty

ORDERING		Example: 8563OB-90-3K	
Model #	Finish	Voltage	CCT
8563			
8563	WH : White BK : Black CL : Clear OB : Oil Rubbed Bronze BN : Brushed Nickel	120V *277V	-3K -4K

*277V available via special order



TEL: 800.937.6925 | Fax: 800.207.9509 | www.rplighting.com

Specifications and dimensions subject to change without notice.

