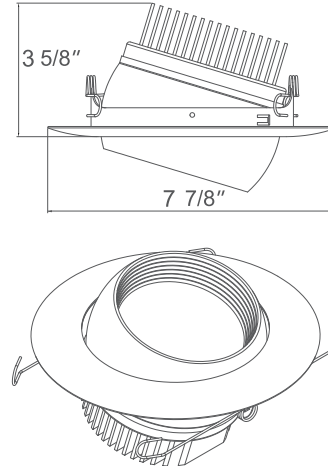


8564

120V-60Hz

Catalog #:		Type
Project:		Date
Prepared by:		

6" LED Retrofit Eyeball



DESCRIPTION

The 8564 is a 6" LED Retrofit Eyeball that is a quick, easy, and affordable way to upgrade to an energy efficient LED down light solution. An ideal choice for both new construction and remodel application and can fit in areas requiring a shallow housing.

DESIGN FEATURES

Construction

- Aluminum trim housing
- Frosted polycarbonate lens

Electrical

- 120V-60Hz
- Dimmable TRIAC or ELV, 10-100%
- 50,000 hour projected life
- 12W | 900 lms (delivered)
- 3000K | 90 CRI

Installation

- Included torsion springs and E26 socket adapter for installation in 6" housings

Compatible Housing:

- 8102HAQ
- 8102HRA
- 8104HICA
- 8117HA
- 8117HRA

Dimensions

- 3-3/8" H x 7-7/8" W

Certifications

- cETLus Certified for wet locations
- LED Lamps: 5 Year Limited Warranty
- Other Components: 1 Year Limited Warranty

ORDERING GUIDE

Example: 8564WH-90-3K

Model #	Finish	CRI	CCT
8564		-90	-3K
8564	BN : Brushed Nickel WH : White	-90 : 90 CRI	-3K : 3000K

Limited quantities; check with factory

TEL: 800.937.6925 | Fax: 800.207.9509 | www.rplighting.com

Specifications and dimensions subject to change without notice.



9/30/21 R1



RP LIGHTING • FANS

8564 - 6" LED Retrofit Eyeball