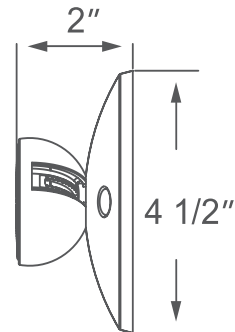
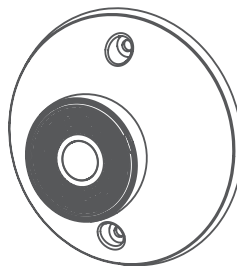


RH21

120V

Catalog #:		Type
Project:		Date
Prepared by:		

LED Remote Head



LED Remote Head

DESCRIPTION

This LED Remote Head for Emergency Lights is great for general purpose applications. The durable, injection molded thermoplastic material resists discoloration due to UV radiation. Head is fully adjustable, insuring that light can be put where it is needed.

DESIGN FEATURES

Construction

- Injection-molded thermoplastic ABS housing
- Fits on standard box
- Wide lens

Electrical

- 120V
- DC 3.6V input
- LED lamp: 1x1W
- Suitable for use in damp locations

Dimensions (W x D X H)

- 4-3/4" x 4-1/2" x 7-4/5"

Finish

- Available in white

Certifications

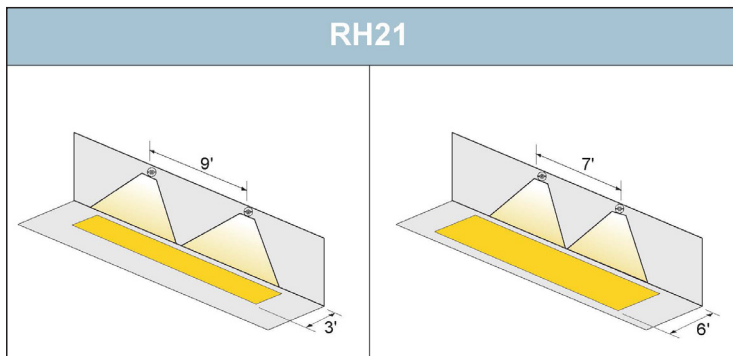
- UL listed
- 5 year limited warranty



ORDERING

Example: RH21WH

Model #	Finish	Lens
RH21		
RH21	WH : White	: Wide lens



TEL: 800.937.6925 | Fax: 800.207.9509 | www.rplighting.com

Specifications and dimensions subject to change without notice.