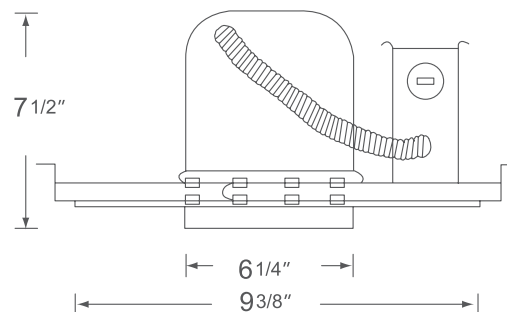
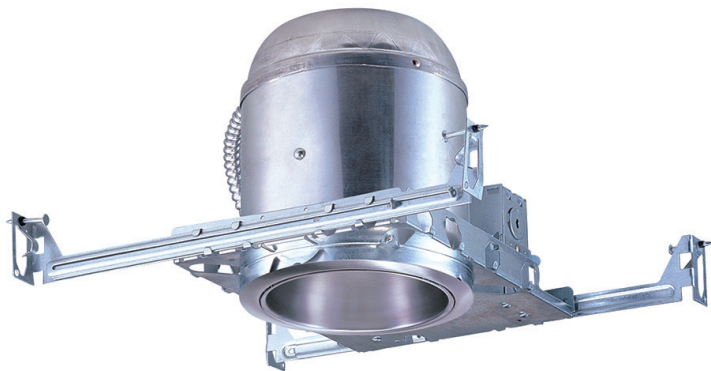


8102HAQ-NB-K

120V-60Hz

Catalog #:		Type
Project:		Date
Prepared by:		

6" IC Airtight Frame-In without Socket Bracket



6" IC Airtight Frame-In

DESCRIPTION

An ideal solution for housing that will be in direct contact with insulation. The 8102HAQ-NB-K housing - frame/trim combo balances power, efficiency and cost to bring you the options needed to complete a variety of residential or commercial projects with a reliable and modern down light solution.

DESIGN FEATURES

Electrical

- 120V
- Incandescent, 75W Max
- Suitable for use in damp locations

Housing

- Sturdy aluminum construction
- Suitable for use in new construction applications
- IC Rated for direct contact with batt type fiberglass insulation
- Thermally protected against improper lamping
- 7-1/2" height allows use in 2" x 8" joist construction
- Adjustable socket bracket plate for proper positioning of different lamp types
- Adjusts to fit up to 1" ceiling thickness
- UL listed for damp location and feed through wiring

Junction Box

- J-box is listed for through-branch circuit wiring (4in – 4out), with seven 1/2" knockouts and four non-metallic cable knockouts with strain clamps
- 3-port quick connectors pre-installed in all J-boxes

Bar Hanger

- Pre-installed bar hangers allow the housing to be positioned at any point within 24" joist span
- Pre-installed captive nails on bar hangers
- Bar hangers can be turned 90° on the plaster frame
- Bar hangers are designed to fit T-bar spine without additional clamps for use in drop ceilings

Dimensions (H x L x W)

- 7-1/2" x 9-3/8" x 6-11/16"
- Aperture: 6-1/4"

Certifications

- UL listed for damp location and feed through wiring
- 1 year limited warranty

Lamp

- A19
- PAR30/38
- BR30/40



TEL: 800.937.6925 | Fax: 800.207.9509 | www.rplighting.com

Specifications and dimensions subject to change without notice.


8102HAQ-NB-K

120V-60Hz

Specification & Ordering


HOUSING

Example: 8102HAQ-NB-K

Housing #	Wattage
 8102HAQ-NB-K	
8102HAQ-NB-K	75 Max (trim Permitting)


MODULE/TRIM

Example: 8502FS-BR-WH

Module/Trim #	Finish
 8502FS 8502FS-BR 8502FS-M	WH : White

MODULE/TRIM

Example: 8514WH

Module/Trim #	Finish
 8514	WH : White

MODULE/TRIM

Example: 8505ALWW

Module/Trim #	Finish
 8505AL 8505AL-BR 8505AL-M	WH : White

MODULE/TRIM

Example: 8519WH

Module/Trim #	Finish
 8519	WH : White BK : Black


MODULE/TRIM

Example: 8506BK

Module/Trim #	Finish
 8506	BK : Black WH : White

MODULE/TRIM

Example: 8544WH

Module/Trim #	Finish
 8544	WH : White

MODULE/TRIM

Example: 8509DR-BR-WW

Module/Trim #	Finish
 8509DR 8509DR-BR 8509DR-M	WH : White