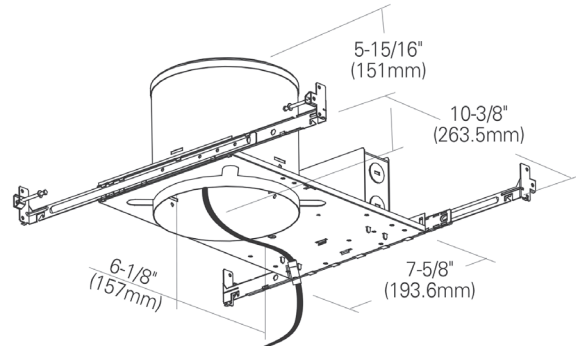


8117HA

120V-277V Universal Voltage

Catalog #:		Type
Project:		Date
Prepared by:		

6" LED IC Airtight Shallow Frame-In



DESCRIPTION

An ideal solution for affordability, efficiency, safety, and flexible design aesthetics. The 8117HA housing - module/trim combo balances power, efficiency and cost to bring you the options needed to complete a variety of residential or commercial projects with a reliable and modern LED down light solution.

DESIGN FEATURES

Electrical

- Voltage: 120V with 120V trims
- Voltage: 277V with 277V trim
- Triac dimming with integral driver
- Suitable for use in damp locations, wet locations when used with 8563, 8523, and 8568 trims
- 50,000 hour projected life
- Trims include E-26 socket adapter for retro fit use

Housing

- Sturdy aluminum construction
- IC Rated for direct contact with batt type fiberglass insulation
- Suitable for use in new construction applications
- 5-15/16" height allows for use in 2" x 6" joist construction
- Adjustable for ceiling thicknesses up to 1-1/4"

Junction Box

- Listed for through branch circuit wiring and includes (5) 1/2" knockouts with true pry-out slots and (4) knockouts with Romex cable clamp
- Ground wire provided in J-box
- Easy access plate for quick wiring

Bar Hanger

- Pre-installed heavy-gauge captive bar hanger allow the housing to be secured to both joist or suspended "T" bar construction
- Adjustable to position the housing at any point within a 24" joist span or grid section
- 4 captive nails for quick placement

Dimensions

- Size: 10-3/8" x 7-5/8" x 5-15/16"
- Aperture: 6-1/8"

Options

- -EM adds Emergency Backup

Certifications

- Energy Star
- cETLus
- 5 year limited warranty



TEL: 800.937.6925 | Fax: 800.207.9509 | www.rplighting.com

Specifications and dimensions subject to change without notice.

10/2/2020 R1

8117HA

120V-277V Universal Voltage

Specification & Ordering

HOUSING

Example: 8117HA-EM

Housing #			
	8117HA		
	8117HA	-EM	: EM adds Emergency Backup

MODULE/TRIM

Example: 8523WH-90-3K

Module/Trim #	Finish	Color Rendering	CCT	Voltage
	8523			
	8523 5/6" 850lms 12.5W Baffle	WH : White BK : Black OB : Oil Rubbed Bronze BN : Brushed Nickel	-90 : 90CRI -3K : 3000K -4K : 4000K	-120 : 120V

MODULE/TRIM

Example: 8562WH-80-3K

Module/Trim #	Finish	Color Rendering	CCT	Voltage
	8562			
	8562 6" 900lms 13W Gimbal	WH : White BK : Black OB : Oil Rubbed Bronze BN : Brushed Nickel	-80 : 80CRI -3K : 3000K	-120 : 120V


MODULE/TRIM

Example: 8563WH-90-3K

Module/Trim #	Finish	Color Rendering	CCT	Voltage
	8563			
	8563 6" 795lms 13W Reflector	WH : White BK : Black OB : Oil Rubbed Bronze BN : Brushed Nickel CL : Clear	-90 : 90CRI -3K : 3000K -4K : 4000K	-120 : 120V -277 : 277V

ORDERING GUIDE

Example: 8568WH-90-3K

Model #	Finish	CRI	CCT
	8568	-90	
	8568 6" LED Baffle Trim with Lens; 17W, 1240 lms	BK : Black OB : Oil Rubbed Bronze CL : Clear WH : White	-90 : 90 CRI -3K : 3000K* -4K : 4000K

* Not available in Clear (CL)

Compatible Dimmers:

- Leviton: Acenti (ATE06-1LW)
- Lutron: Nova T (NTELV300&600) / Diva (DLVELV-300P&303P)

TEL: 800.937.6925 | Fax: 800.207.9509 | www.rplighting.com

Specifications and dimensions subject to change without notice.

10/2/2020 R1