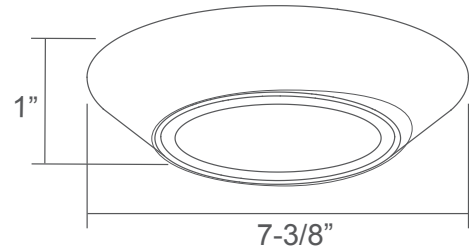


8569

120V-60Hz

Catalog #:		Type
Project:		Date
Prepared by:		

7" High-Lumen Flat Lens Disk



DESCRIPTION

The 8569 is a 7" High-Lumen Low-Profile Disk Light with Flat Lens that is a quick, easy, and affordable way to upgrade to an energy efficient LED down light solution. An ideal choice for most any residential or light-commercial environment.

DESIGN FEATURES

Construction

- Durable aluminum frame
- Frosted polycarbonate lens

Electrical

- 120V - 60Hz
- Dimmable TRIAC or ELV, 10-100%
- 50,000 hour projected life
- 15W | 1240 lms (delivered)
- 3000K | 80 CRI
- Beam Angle: 100°

Installation

- Mounting bracket included to fit most 3" or 4" J-Box applications
- -R Retrofit option includes torsion springs and E26 base adapter for mounting in 5/6" housings.

Dimensions

- 7-3/8"W x 1"H

Certifications

- CSAus Listed for wet location
- LED Lamps: 5 Year Limited Warranty
- Other Components: 1 Year Limited Warranty

ORDERING GUIDE

Example: 8569WH-80-4K

Model #	Finish	CRI	CCT	Retrofit
8569		-80		
8569	BK : Black+ OB : Oil Rubbed Bronze* WH : White*	-80	-3K: 3000K -4K: 4000K	(blank) no retrofit -R : Retrofit

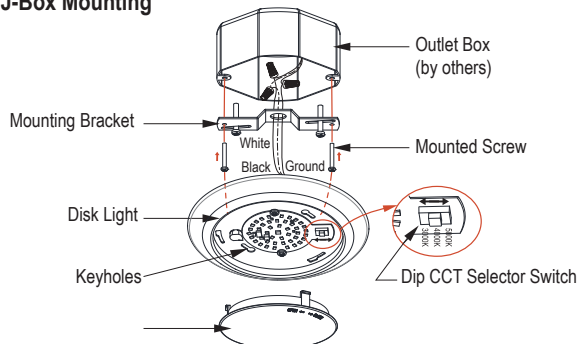
Limited Quantities; check with factory. 8538 replacing 8569.

+ BK finish only available in -3K

* OB and WH finish only available in -4K

See 8538 and 8538-HO-90 spec sheets for 7" Flat Lens Disk

J-Box Mounting



TEL: 800.937.6925 | Fax: 800.207.9509 | www.rplighting.com

Specifications and dimensions subject to change without notice.

3/27/23 R5



LED Lamps

Other Components



LIGHTING · FANS

8569 - 7" High-Lumen Flat Lens Disk