

RP Lighting • Fans

Photometric Data Table [Unit:cd] [[.

240	2180.4	2105.9	1864.2	1484.0	1024.7	623.9	397.9	248.7	161.7	95.6
245	2180.4	2106.9	1864.6	1484.4	1020.1	622.9	396.5	247.3	161.8	95.4
250	2180.4	2106.2	1865.6	1485.7	1019.1	621.9	395.5	247.3	163.9	95.5
255	2180.4	2106.6	1865.9	1487.0	1017.7	622.5	396.2	248.0	165.2	95.5
260	2180.4	2106.6	1864.9	1488.0	1015.1	622.2	396.5	248.3	165.5	94.9
265	2180.4	2105.6	1865.2	1489.4	1014.1	622.9	395.5	248.3	164.3	93.0
270	2180.4	2106.9	1866.6	1489.1	1012.1	623.2	396.5	249.3	164.4	92.4
275	2180.4	2106.6	1869.2	1488.7	1012.1	623.9	397.5	250.0	164.4	91.9
280	2180.4	2106.9	1872.6	1490.1	1010.7	625.5	398.2	250.7	164.6	92.4
285	2180.4	2106.9	1874.2	1491.1	1009.7	625.9	398.2	250.7	164.8	92.3
290	2180.4	2107.2	1875.9	1492.7	1008.1	626.5	398.5	249.3	161.6	87.9
295	2180.4	2107.2	1876.9	1495.7	1007.4	627.5	400.6	250.3	161.5	87.6
300	2180.4	2107.6	1877.9	1496.7	1008.7	628.5	402.9	251.7	165.9	90.7
305	2180.4	2107.6	1879.3	1497.1	1011.1	631.5	405.2	252.7	167.4	89.9
310	2180.4	2108.2	1879.9	1497.4	1013.1	632.9	407.2	253.3	168.7	89.6
315	2180.4	2107.9	1880.3	1498.4	1015.1	635.2	408.2	254.0	168.8	91.3
320	2180.4	2106.2	1878.6	1501.1	1017.7	637.2	409.2	254.4	169.3	91.8
325	2180.4	2103.6	1877.3	1503.1	1019.7	638.9	410.2	254.7	169.6	91.6
330	2180.4	2102.2	1874.2	1504.4	1021.1	639.5	410.9	255.0	171.1	91.2
335	2180.4	2100.6	1873.9	1503.7	1021.1	640.2	410.9	255.7	171.9	92.4
340	2180.4	2098.2	1872.9	1503.1	1023.1	641.6	410.6	256.0	171.3	94.0
345	2180.4	2096.6	1871.9	1502.1	1025.1	641.6	410.2	256.0	169.9	92.2
350	2180.4	2094.2	1869.9	1500.7	1023.1	640.9	410.2	255.7	169.3	91.4
355	2180.4	2092.9	1867.6	1498.4	1023.4	638.5	409.2	255.0	169.9	90.5
360	2180.4	2094.6	1865.6	1494.7	1021.4	637.2	407.9	254.4	174.6	90.6

C\G	50	55	60	65	70	75	80	85	90
0	41.4	13.1	7.4	4.6	3.5	2.5	1.6	1.0	0.6
5	41.3	13.1	7.2	4.6	3.5	2.5	1.6	1.0	0.6
10	40.7	12.8	7.1	4.6	3.5	2.5	1.6	1.0	0.6
15	40.3	12.6	7.0	4.6	3.5	2.5	1.6	1.0	0.6
20	40.4	12.8	6.7	4.6	3.5	2.5	1.6	1.0	0.6
25	40.1	12.8	6.8	4.6	3.5	2.5	1.6	1.0	0.6
30	40.0	12.9	7.3	4.6	3.6	2.5	1.6	1.0	0.6
35	40.3	13.5	7.5	4.7	3.6	2.6	1.7	1.0	0.6
40	40.5	14.0	7.6	4.8	3.6	2.6	1.7	1.0	0.6
45	40.5	14.3	7.6	4.8	3.6	2.6	1.7	1.0	0.6
50	40.8	14.5	7.6	4.9	3.7	2.6	1.7	1.0	0.6
55	41.2	14.7	7.7	4.9	3.7	2.7	1.7	1.1	0.6
60	41.8	15.1	7.7	4.9	3.7	2.7	1.7	1.1	0.6
65	42.4	15.4	7.7	4.9	3.8	2.8	1.7	1.1	0.6
70	43.2	15.9	8.0	4.9	3.8	2.7	1.8	1.1	0.6
75	44.0	16.4	8.4	4.9	3.8	2.8	1.8	1.1	0.6
80	44.8	16.9	8.6	4.9	3.8	2.8	1.8	1.1	0.6
85	45.5	17.4	8.7	4.9	3.8	2.9	1.8	1.1	0.6
90	46.1	18.0	8.8	5.1	3.9	2.9	1.9	1.1	0.6
95	46.7	18.3	8.8	5.2	3.9	2.9	1.9	1.2	0.6
100	47.2	18.5	8.6	5.4	4.0	3.0	1.9	1.2	0.6

RP Lighting • Fans

Photometric Data Table [Unit:cd] 4428xx-20-3K

105	47.8	18.6	8.4	5.4	4.0	3.0	1.9	1.2	0.6
110	47.3	18.8	8.3	5.4	4.0	3.0	2.0	1.2	0.6
115	47.6	19.1	8.4	5.2	4.0	3.1	2.0	1.2	0.6
120	48.3	19.5	8.9	5.2	4.0	3.1	2.0	1.2	0.6
125	49.1	20.2	9.5	5.2	4.0	3.1	2.0	1.2	0.6
130	50.0	20.9	10.0	5.2	4.0	3.1	2.1	1.2	0.6
135	51.0	21.4	10.0	5.3	4.0	3.1	2.1	1.3	0.6
140	51.4	21.6	10.1	5.2	4.0	3.2	2.1	1.3	0.6
145	51.6	21.7	10.0	5.3	4.0	3.1	2.1	1.3	0.6
150	52.1	21.9	9.9	5.3	4.0	3.2	2.1	1.3	0.6
155	52.4	22.1	10.0	5.3	4.1	3.2	2.1	1.3	0.6
160	52.9	22.3	10.0	5.3	4.1	3.2	2.1	1.3	0.6
165	53.5	22.4	10.0	5.3	4.1	3.2	2.1	1.3	0.6
170	54.0	22.5	10.2	5.3	4.0	3.1	2.1	1.2	0.6
175	53.9	22.4	10.2	5.3	4.0	3.1	2.1	1.3	0.6
180	53.5	22.0	10.1	5.3	4.0	3.1	2.1	1.3	0.6
185	53.5	21.4	9.9	5.3	4.0	3.1	2.0	1.2	0.6
190	52.5	20.7	9.4	5.3	4.0	3.1	2.0	1.2	0.6
195	51.0	19.9	8.8	5.2	4.0	3.1	2.0	1.2	0.6
200	50.0	19.3	8.6	5.2	4.0	3.1	2.0	1.2	0.6
205	49.3	18.8	8.5	5.2	4.0	3.0	2.0	1.2	0.6
210	49.3	18.6	8.8	5.2	4.0	3.0	2.0	1.2	0.6
215	49.0	18.6	8.8	5.2	4.1	3.1	2.0	1.2	0.6
220	48.0	18.1	8.8	5.2	4.0	3.0	1.9	1.2	0.6
225	47.1	17.6	8.6	5.1	3.9	2.9	1.9	1.2	0.6
230	46.7	17.4	8.4	5.1	3.9	2.9	1.9	1.2	0.6
235	46.2	17.0	8.2	5.0	3.8	2.8	1.8	1.1	0.6
240	45.8	16.6	8.0	5.0	3.8	2.8	1.8	1.1	0.6
245	45.6	16.3	7.9	4.9	3.8	2.8	1.8	1.1	0.6
250	45.2	15.9	8.1	4.9	3.7	2.7	1.7	1.1	0.6
255	44.7	15.5	8.3	4.9	3.7	2.7	1.7	1.1	0.6
260	44.3	15.1	8.3	4.9	3.7	2.7	1.7	1.1	0.6
265	43.8	14.8	8.2	4.8	3.6	2.6	1.7	1.1	0.6
270	43.3	14.4	8.1	4.8	3.6	2.6	1.7	1.0	0.6
275	42.8	14.0	8.0	4.8	3.6	2.6	1.7	1.0	0.6
280	42.2	13.5	7.6	4.7	3.5	2.5	1.7	1.0	0.6
285	41.5	13.2	7.4	4.7	3.5	2.5	1.6	1.0	0.6
290	41.0	13.1	7.3	4.7	3.5	2.5	1.6	1.0	0.6
295	40.6	12.9	7.4	4.7	3.5	2.5	1.6	1.0	0.6
300	40.2	12.7	7.6	4.7	3.5	2.5	1.6	1.0	0.6
305	39.9	13.0	7.7	4.7	3.5	2.5	1.6	1.0	0.6
310	39.6	13.3	7.8	4.7	3.5	2.5	1.6	1.0	0.6
315	39.5	13.3	7.8	4.7	3.5	2.5	1.6	1.0	0.6
320	39.7	13.3	7.9	4.7	3.5	2.5	1.6	1.0	0.6
325	39.8	13.3	7.8	4.7	3.5	2.5	1.6	1.0	0.6
330	40.1	13.3	7.8	4.7	3.5	2.4	1.6	1.0	0.6
335	40.5	13.3	7.9	4.7	3.5	2.5	1.6	1.0	0.6
340	41.0	13.2	8.0	4.7	3.5	2.5	1.6	1.0	0.6
345	41.3	13.2	7.9	4.6	3.5	2.5	1.6	1.0	0.6

RP Lighting • Fans

Photometric Data Table [Unit:cd] 4428xx-20-3K

350	41.4	13.2	7.8	4.6	3.5	2.5	1.6	1.0	0.6
355	41.4	13.1	7.5	4.6	3.5	2.5	1.6	1.0	0.6
360	41.4	13.1	7.4	4.6	3.5	2.5	1.6	1.0	0.6

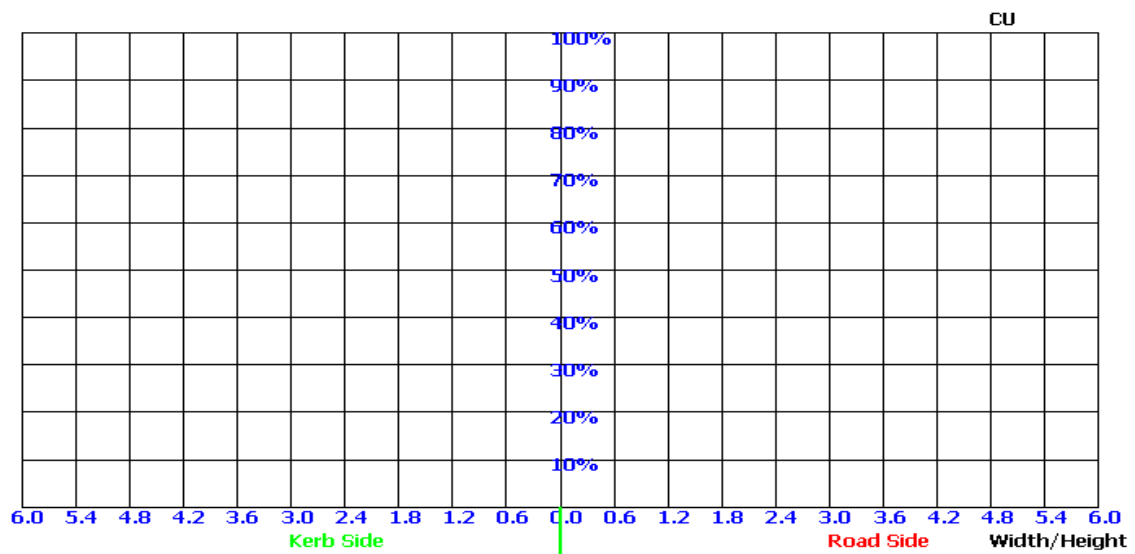
RP Lighting • Fans Zonal

Flux 4428xx-20-3K

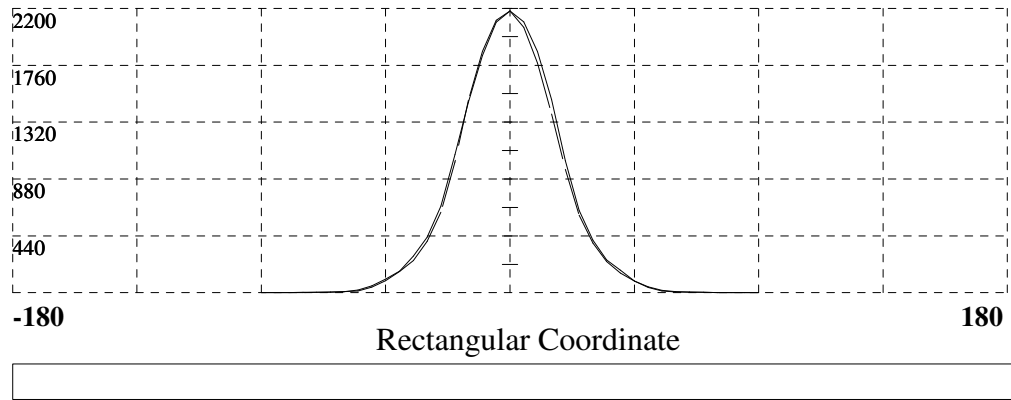
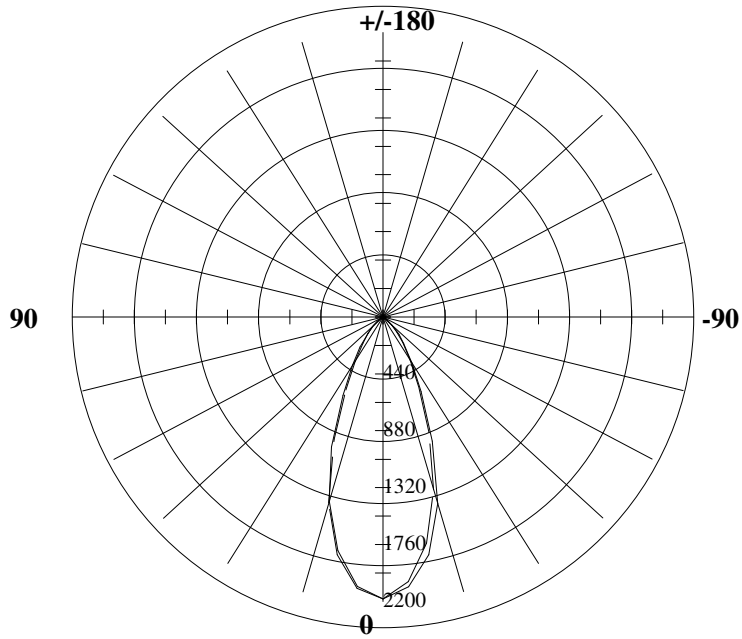
Gamma [°]	I _{mean} [cd]	Zonal Flux [lm]	Sum.Flux [lm]	Zonal Flux [%]	Sum.Flux [%]
0	2180.45	0.00	0.00	0.00	0.00
5	2086.59	51.01	51.01	-5101.12	-5101.12
10	1836.51	140.34	191.35	-14034.17	-19135.29
15	1456.31	195.33	386.68	-19532.79	-38668.10
20	1009.89	203.25	589.93	-20324.93	-58993.02
25	629.55	171.95	761.88	-17194.68	-76187.68
30	403.76	130.77	892.64	-13076.59	-89264.26
35	256.46	97.22	989.86	-9722.12	-98986.38
40	162.06	69.83	1059.69	-6982.65	-105969.03
45	93.93	47.40	1107.09	-4739.80	-110708.84
50	45.18	28.11	1135.20	-2811.00	-113519.86
55	16.53	13.42	1148.62	-1341.99	-114861.84
60	8.37	5.76	1154.37	-575.60	-115437.43
65	4.96	3.24	1157.61	-323.96	-115761.40
70	3.77	2.21	1159.82	-220.98	-115982.42
75	2.79	1.71	1161.54	-171.43	-116153.87
80	1.81	1.23	1162.77	-123.14	-116277.01
85	1.11	0.79	1163.57	-79.41	-116356.47
90	0.60	0.47	1164.03	-46.71	-116403.17

RP Lighting • Fans

Coefficient Utilization Curve 4428xx-20-3K

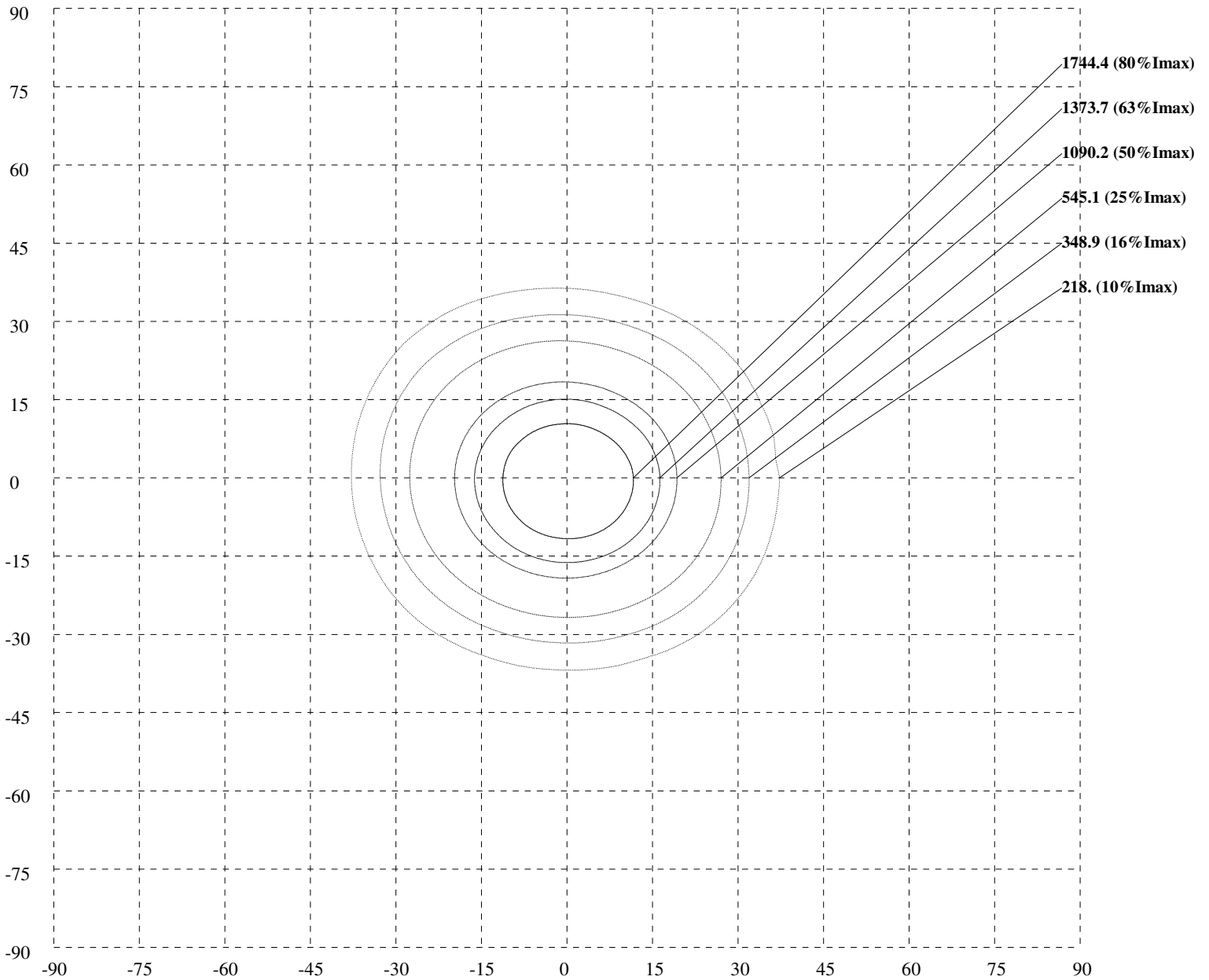


Light Distribution Curve[Unit: cd]



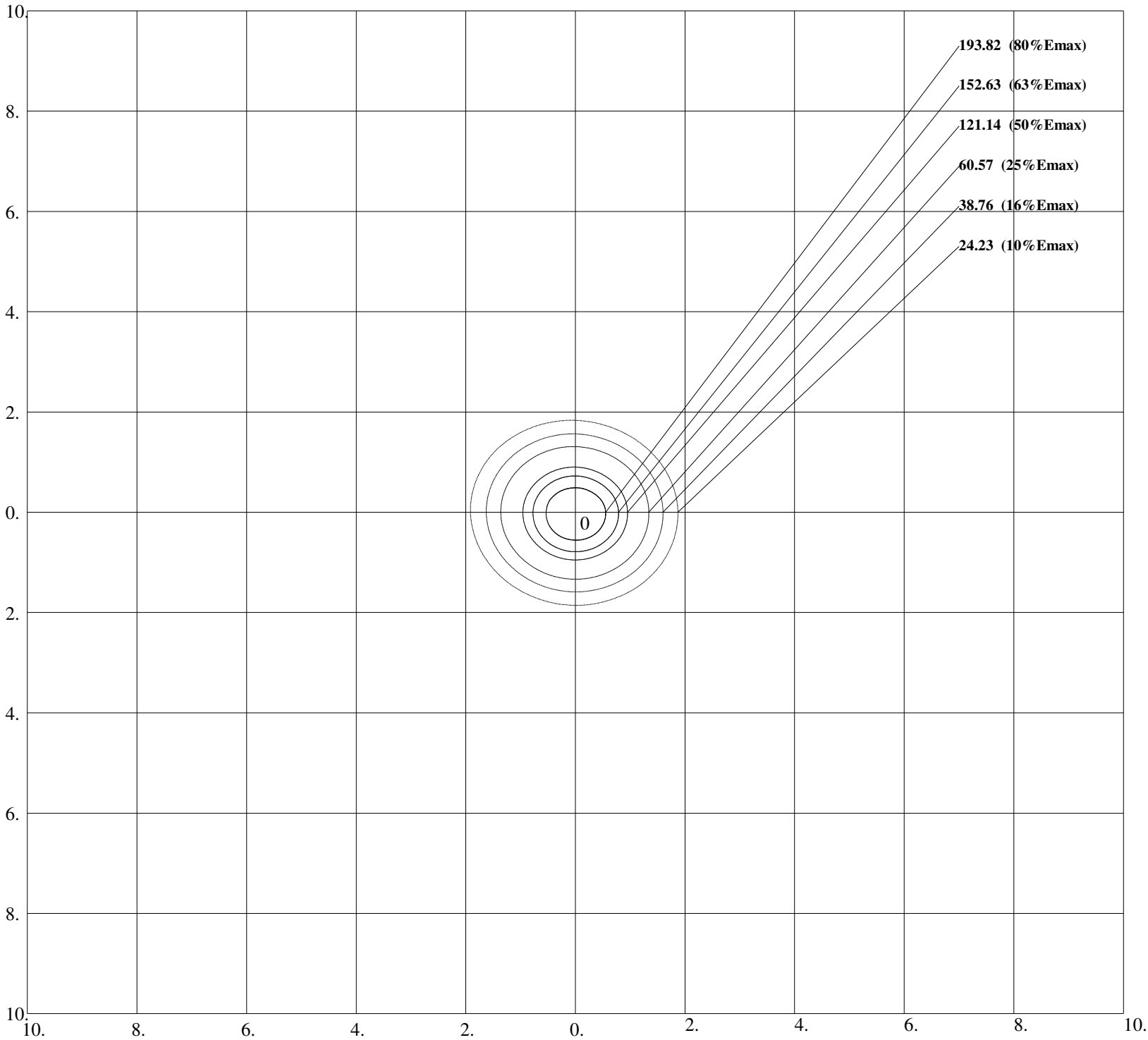
RP Lighting • Fans

ISO-Candela V-H [Unit :cd] 4428xx-20-3K



RP Lighting • Fans

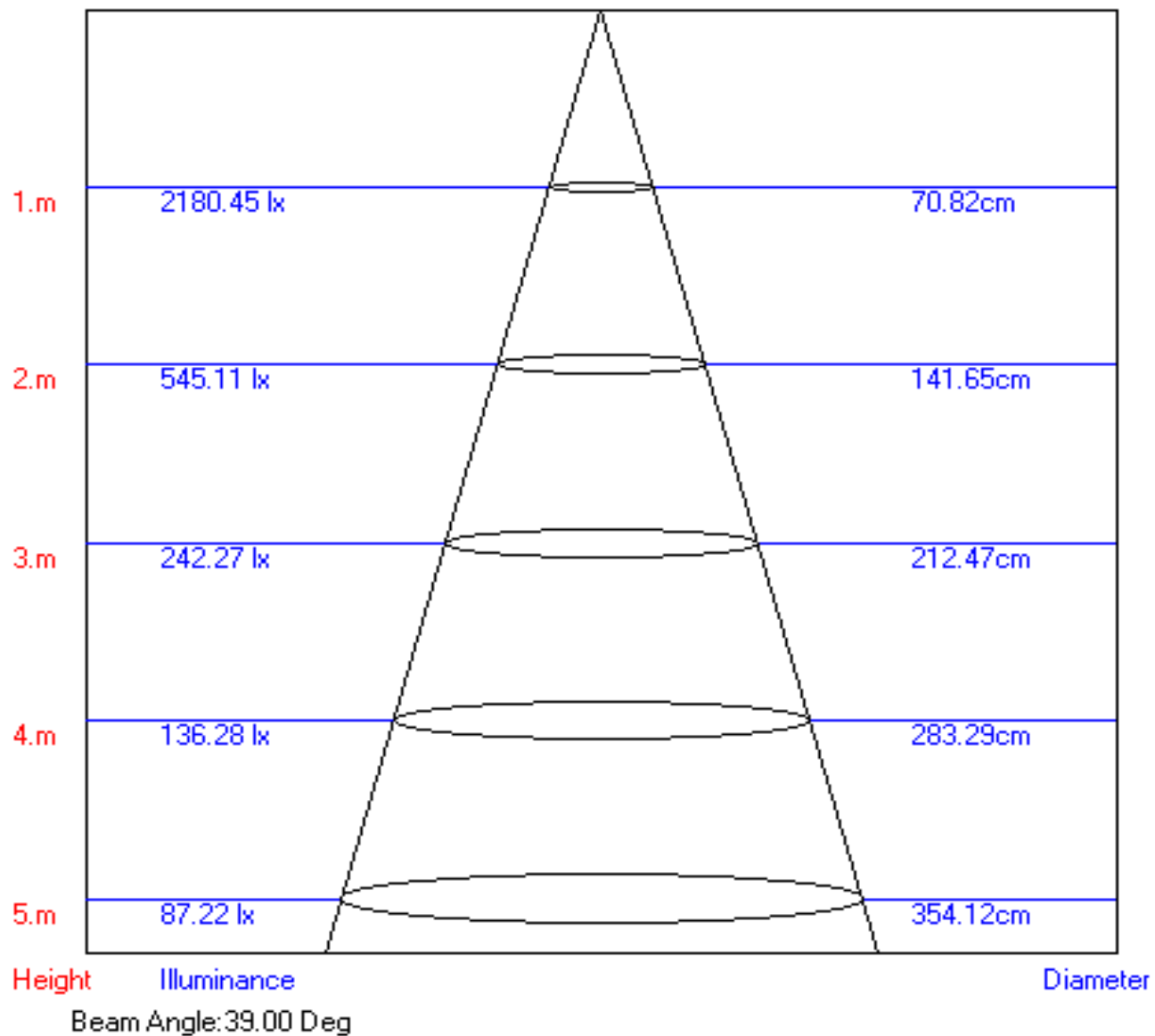
Iso-Lux [Unit :lx] 4428xx-20-3K



Units: lx
Height: 3 m
Max Illuminance : 242.27lx

RP Lighting • Fans

Lux-Distance Curve

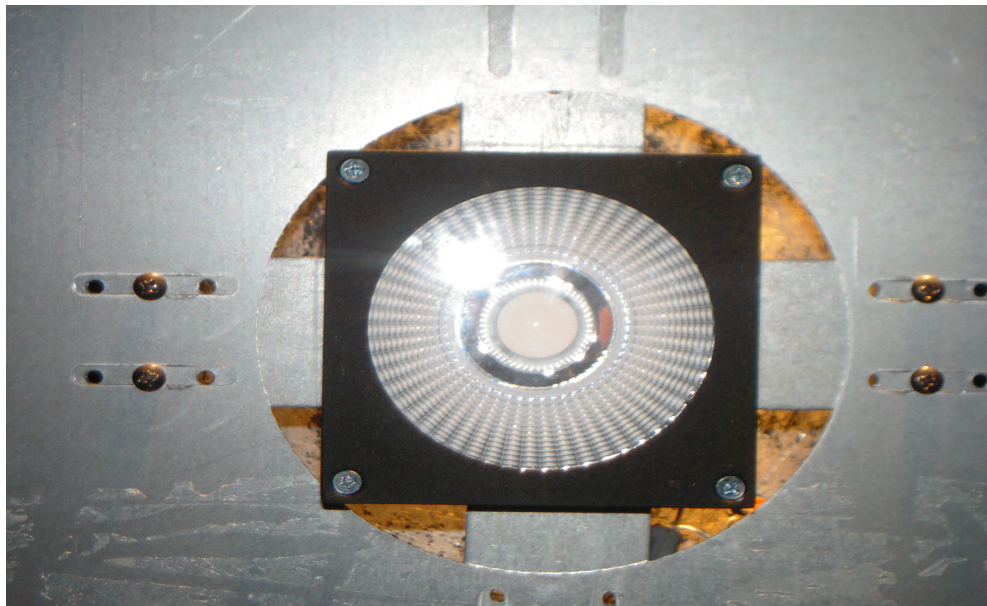


Test Report of Luminaire

Report No.:

Luminaire Type	4428xx-30-3K		
Lamp Type	LED_Wallcylinder		
Client		EUT NO.	CCT: 2866K, CRI: 80.8Ra
Luminaire Parameters:			
Voltage	120.0	Current	0.229
Power:	27.0	Power Factor	0.982
Frequency:	60Hz	Tc	3000K
Photometric Parameters			
Luminaire Flux	1722.26 lm	Luminaire Eff.	Data imperfect...!
Max Intensity	3183.37cd	Central Intensity	3183.37cd
Angle of Max Intensity:	C:0 G:0		
Upward Flux Ratio	-0.01%		
Downward Flux Ratio	-172226.1%		
50%Imax Beam Width	C0_180[19.1 ,-21.6] C90_270[19.4 ,-17.9]		
Remark			

Luminaire Figure



RP Lighting • Fans

Photometric Data Table [Unit:cd] 4428xx-30-3K

C\G	0	5	10	15	20	25	30	35	40	45
0	3183.4	3020.2	2617.9	2050.8	1491.4	919.6	613.5	360.2	231.7	125.8
5	3183.4	3024.8	2627.0	2057.8	1500.1	927.6	617.2	358.5	234.7	126.2
10	3183.4	3033.2	2639.3	2066.8	1506.4	936.0	620.2	356.2	237.0	125.8
15	3183.4	3041.5	2651.3	2075.9	1516.1	947.3	626.5	359.5	237.7	126.9
20	3183.4	3043.5	2664.0	2088.2	1526.4	960.7	631.9	363.2	238.3	126.8
25	3183.4	3046.5	2657.0	2097.9	1536.1	967.0	631.9	368.5	235.0	123.6
30	3183.4	3052.9	2665.7	2100.9	1488.7	959.0	631.5	371.5	235.7	123.6
35	3183.4	3056.5	2639.3	2071.9	1435.3	908.6	590.8	335.1	223.6	107.1
40	3183.4	2995.8	2572.2	2015.8	1366.9	862.9	553.4	337.1	211.6	106.7
45	3183.4	2996.5	2533.5	2023.5	1383.2	845.2	558.8	341.5	214.6	108.3
50	3183.4	2951.7	2539.5	2031.8	1400.6	854.8	563.4	346.8	218.3	109.4
55	3183.4	2936.4	2549.8	2000.1	1413.6	865.9	567.8	352.2	221.0	110.8
60	3183.4	2938.7	2557.5	2013.8	1429.3	873.9	572.5	358.2	223.0	114.2
65	3183.4	2941.4	2568.2	2025.5	1442.7	883.5	577.8	364.8	228.0	117.6
70	3183.4	2943.1	2580.6	2039.8	1458.7	895.2	585.8	373.2	234.7	120.1
75	3183.4	2946.1	2592.2	2052.5	1481.7	906.2	596.2	380.2	242.3	123.1
80	3183.4	2951.7	2599.6	2067.8	1498.7	917.9	604.2	387.5	247.0	125.5
85	3183.4	2956.7	2608.9	2081.2	1513.4	927.3	611.8	393.2	251.0	126.5
90	3183.4	2960.7	2620.9	2097.9	1527.1	939.3	620.9	399.2	254.0	129.3
95	3183.4	2965.8	2629.6	2112.9	1542.8	952.0	629.5	405.9	258.4	131.4
100	3183.4	2973.4	2644.6	2133.6	1559.5	967.3	638.9	411.9	261.0	133.8
105	3183.4	2986.1	2659.3	2151.0	1580.2	978.3	645.9	416.6	265.0	135.4
110	3183.4	3000.8	2677.4	2173.0	1596.2	988.7	653.6	421.6	269.4	137.0
115	3183.4	3010.1	2696.0	2193.7	1614.6	1002.0	661.2	426.6	275.7	141.3
120	3183.4	3053.5	2709.7	2216.4	1631.2	1016.7	669.3	432.3	280.4	145.6
125	3183.4	3063.6	2721.4	2232.7	1651.3	1030.1	675.9	437.3	285.1	147.3
130	3183.4	3073.9	2758.1	2260.8	1669.6	1041.4	682.6	442.3	288.7	148.6
135	3183.4	3139.7	2771.5	2278.1	1685.7	1055.5	689.3	446.9	292.7	151.3
140	3183.4	3145.7	2827.2	2289.5	1700.3	1066.5	695.0	450.6	294.4	151.2
145	3183.4	3151.0	2857.6	2334.5	1712.4	1073.1	696.3	453.0	294.7	154.6
150	3183.4	3156.7	2866.3	2376.3	1722.0	1131.2	696.3	453.6	296.1	160.1
155	3183.4	3158.3	2871.0	2388.0	1775.8	1137.6	742.7	465.3	297.4	169.6
160	3183.4	3154.0	2880.3	2389.3	1786.8	1143.9	744.4	466.3	301.7	172.0
165	3183.4	3155.7	2881.6	2397.0	1795.1	1149.2	745.4	467.0	300.7	170.6
170	3183.4	3154.0	2879.6	2400.0	1800.5	1151.3	743.4	466.0	299.1	167.9
175	3183.4	3155.0	2883.0	2398.6	1800.1	1148.9	739.4	464.6	297.7	167.7
180	3183.4	3156.7	2883.0	2397.3	1794.5	1143.2	733.7	462.3	296.7	169.6
185	3183.4	3154.0	2878.6	2388.6	1785.5	1136.6	727.0	459.6	293.7	168.0
190	3183.4	3152.0	2873.0	2376.3	1772.1	1126.6	719.3	456.3	289.1	163.7
195	3183.4	3148.3	2863.9	2360.6	1752.4	1111.5	708.0	451.3	283.4	160.2
200	3183.4	3146.3	2853.6	2347.2	1731.7	1092.2	696.3	444.9	277.7	155.9
205	3183.4	3140.7	2843.2	2330.2	1712.0	1076.1	685.3	441.6	273.7	153.3
210	3183.4	3137.7	2829.2	2309.8	1690.3	1060.5	673.6	434.6	267.7	150.3
215	3183.4	3131.6	2814.2	2291.8	1673.0	1045.4	665.9	430.6	263.0	147.2
220	3183.4	3122.0	2790.8	2271.8	1653.3	1030.4	656.6	424.6	258.4	142.2
225	3183.4	3110.3	2766.5	2235.1	1627.6	981.4	627.9	393.2	251.3	139.8
230	3183.4	3096.6	2744.1	2186.7	1590.9	926.9	609.2	386.9	241.0	134.1
235	3183.4	3080.6	2719.7	2097.2	1503.4	912.6	602.8	384.2	237.3	132.8

RP Lighting • Fans

Photometric Data Table [Unit:cd] 4428xx-30-3K

240	3183.4	3053.5	2690.4	2079.5	1460.0	897.9	596.2	379.2	233.0	131.1
245	3183.4	3046.5	2660.0	2055.5	1445.7	884.9	587.5	373.2	230.3	129.4
250	3183.4	3032.8	2645.6	2029.5	1386.2	821.8	573.8	343.8	227.3	127.2
255	3183.4	3017.2	2622.6	1959.7	1371.2	803.4	556.1	342.5	211.3	121.7
260	3183.4	3006.5	2602.9	1941.3	1355.9	800.4	546.1	343.8	209.6	119.3
265	3183.4	2998.8	2583.9	1941.3	1339.5	799.8	542.7	342.5	208.3	116.8
270	3183.4	2993.5	2579.6	1943.0	1337.5	800.8	541.1	341.8	207.6	116.6
275	3183.4	2937.0	2576.9	1943.3	1336.5	800.1	541.4	341.5	207.6	116.5
280	3183.4	2939.7	2574.2	1944.0	1335.8	799.4	541.7	343.8	207.6	116.0
285	3183.4	2942.1	2564.9	1948.7	1336.5	800.1	544.1	346.5	206.6	115.2
290	3183.4	2942.4	2562.9	1955.0	1336.5	802.1	545.8	347.1	207.0	114.7
295	3183.4	2946.1	2563.2	1961.0	1338.8	801.4	548.1	348.1	207.6	114.3
300	3183.4	2949.4	2564.9	1969.0	1343.5	805.4	550.1	349.1	207.6	113.5
305	3183.4	2953.7	2566.9	1972.0	1350.5	807.8	552.8	351.8	208.0	113.8
310	3183.4	2956.1	2569.5	1980.1	1358.5	812.1	554.4	355.5	209.3	114.1
315	3183.4	2961.1	2571.2	1987.7	1366.5	818.1	556.1	358.2	210.6	114.8
320	3183.4	2966.1	2576.2	1995.4	1374.9	825.5	559.4	361.5	211.6	115.3
325	3183.4	2970.8	2575.9	2003.8	1383.6	835.1	565.8	365.5	213.6	116.0
330	3183.4	2975.4	2578.9	2012.1	1394.6	845.5	572.5	368.5	215.3	117.5
335	3183.4	2979.8	2583.9	2022.5	1407.6	856.5	578.8	370.8	217.3	119.2
340	3183.4	2986.8	2591.9	2035.5	1418.3	866.9	584.1	373.2	221.3	120.5
345	3183.4	2989.1	2578.9	2049.2	1428.6	877.5	589.8	376.9	223.6	121.2
350	3183.4	2987.8	2584.2	2059.5	1436.3	889.2	596.8	379.5	227.0	121.9
355	3183.4	2992.8	2595.6	2068.2	1448.0	901.9	601.5	375.9	229.6	123.0
360	3183.4	3020.2	2617.9	2050.8	1491.4	919.6	613.5	360.2	231.7	125.8

C\G	50	55	60	65	70	75	80	85	90
0	56.5	19.3	11.1	6.3	4.9	3.6	2.3	1.3	0.6
5	56.1	19.4	11.2	6.3	4.8	3.6	2.2	1.2	0.6
10	55.3	19.5	11.4	6.2	4.7	3.5	2.2	1.2	0.6
15	54.4	19.5	11.4	6.1	4.7	3.5	2.2	1.2	0.6
20	54.8	19.3	11.4	6.1	4.7	3.4	2.1	1.2	0.6
25	54.8	19.2	11.1	6.2	4.4	3.2	2.1	1.2	0.6
30	54.4	18.8	10.6	6.2	4.4	3.3	2.0	1.2	0.6
35	48.7	17.0	9.2	6.4	4.6	3.4	2.1	1.2	0.6
40	39.6	16.0	8.8	6.2	4.6	3.4	2.1	1.2	0.6
45	39.6	16.3	9.0	6.2	4.6	3.4	2.1	1.2	0.6
50	40.2	16.1	9.4	6.3	4.7	3.4	2.1	1.2	0.6
55	40.8	16.7	9.7	6.3	4.7	3.5	2.1	1.3	0.6
60	42.2	17.5	10.0	6.4	4.8	3.5	2.2	1.3	0.6
65	43.9	17.8	10.2	6.4	4.8	3.5	2.2	1.3	0.6
70	45.2	17.9	10.3	6.4	4.8	3.5	2.2	1.3	0.6
75	46.0	18.0	10.4	6.5	4.9	3.5	2.2	1.3	0.6
80	46.6	18.0	10.4	6.6	4.9	3.6	2.3	1.3	0.6
85	47.4	18.1	10.5	6.7	4.9	3.6	2.2	1.3	0.6
90	48.0	18.3	10.7	6.7	5.0	3.6	2.3	1.3	0.6
95	48.9	18.2	10.9	6.9	5.0	3.7	2.3	1.4	0.6
100	49.9	18.5	11.0	7.0	5.1	3.7	2.4	1.4	0.6

RP Lighting • Fans

Photometric Data Table [Unit:cd] 4428xx-30-3K

105	50.7	18.6	11.0	7.0	5.1	3.7	2.4	1.4	0.6
110	51.6	18.7	11.1	7.0	5.1	3.7	2.4	1.4	0.6
115	53.0	18.6	11.5	7.1	5.1	3.8	2.4	1.4	0.6
120	54.3	18.7	11.2	7.1	5.1	3.8	2.5	1.5	0.7
125	55.9	18.5	10.9	7.0	5.2	3.7	2.5	1.5	0.6
130	59.0	18.6	11.1	7.0	5.2	3.8	2.5	1.5	0.6
135	59.7	18.7	11.3	7.1	5.2	3.7	2.6	1.5	0.7
140	60.6	18.5	11.7	7.1	5.2	3.7	2.5	1.5	0.7
145	62.3	19.5	11.9	7.0	5.2	3.7	2.5	1.5	0.7
150	64.1	20.6	12.4	7.0	5.1	3.7	2.5	1.5	0.7
155	73.7	21.0	12.5	7.0	5.1	3.8	2.5	1.5	0.6
160	74.8	24.0	12.5	7.0	5.1	3.8	2.5	1.5	0.6
165	75.0	24.4	13.3	7.0	5.1	3.8	2.5	1.5	0.6
170	75.3	24.7	13.3	7.0	5.1	3.8	2.5	1.4	0.6
175	77.1	24.8	13.2	7.0	5.1	3.8	2.5	1.5	0.6
180	76.8	24.8	13.2	6.9	5.1	3.8	2.5	1.5	0.7
185	76.5	24.8	13.1	6.9	5.1	3.9	2.5	1.5	0.6
190	75.8	24.6	13.0	6.8	5.1	3.9	2.5	1.5	0.6
195	74.8	24.2	12.7	6.8	5.1	3.8	2.5	1.5	0.6
200	73.5	23.8	12.5	6.8	5.1	3.8	2.5	1.5	0.6
205	71.7	23.2	12.2	6.8	5.1	3.8	2.5	1.5	0.6
210	70.0	22.5	11.6	6.8	5.2	3.9	2.5	1.5	0.6
215	68.2	21.2	11.3	6.8	5.2	3.9	2.5	1.5	0.6
220	64.4	20.4	11.0	6.8	5.2	3.9	2.5	1.5	0.6
225	62.7	20.0	11.0	6.8	5.2	4.0	2.5	1.4	0.6
230	61.8	19.9	11.1	6.9	5.3	3.9	2.5	1.4	0.6
235	61.3	19.9	11.1	6.9	5.3	3.9	2.5	1.4	0.6
240	61.9	19.8	11.1	6.9	5.3	3.9	2.5	1.4	0.6
245	61.9	19.6	11.1	6.8	5.3	3.9	2.4	1.3	0.6
250	61.6	19.5	11.0	6.8	5.3	3.9	2.4	1.3	0.6
255	60.2	18.9	10.7	6.7	5.3	4.0	2.4	1.3	0.6
260	58.4	18.4	9.9	6.7	5.3	3.9	2.4	1.3	0.6
265	56.9	18.3	10.2	6.7	5.3	4.0	2.4	1.3	0.6
270	56.3	18.5	10.4	6.7	5.3	4.0	2.4	1.3	0.6
275	55.9	18.6	10.6	6.7	5.4	4.0	2.4	1.3	0.6
280	55.4	18.6	10.7	6.7	5.4	4.0	2.4	1.3	0.6
285	54.8	18.5	10.3	6.6	5.3	4.0	2.4	1.3	0.6
290	54.1	18.3	10.1	6.6	5.4	4.0	2.4	1.3	0.6
295	53.6	18.3	9.8	6.6	5.4	4.0	2.3	1.3	0.6
300	53.3	17.9	9.7	6.6	5.4	4.0	2.4	1.3	0.6
305	52.7	17.3	9.5	6.6	5.4	4.0	2.4	1.3	0.6
310	52.1	17.3	9.1	6.6	5.3	4.0	2.4	1.3	0.6
315	51.9	17.5	9.3	6.6	5.3	4.0	2.4	1.3	0.6
320	52.1	17.4	9.6	6.6	5.3	4.0	2.4	1.3	0.6
325	52.9	17.8	9.8	6.5	5.2	4.0	2.4	1.3	0.6
330	54.4	18.4	9.9	6.5	5.2	3.9	2.4	1.3	0.6
335	56.1	18.7	10.1	6.5	5.1	3.9	2.3	1.2	0.6
340	56.9	18.8	10.3	6.4	5.1	3.8	2.3	1.2	0.6
345	57.4	18.8	10.5	6.4	5.0	3.8	2.3	1.2	0.6

RP Lighting • Fans

Photometric Data Table [Unit:cd] 4428xx-30-3K

350	57.6	18.9	10.8	6.3	5.0	3.7	2.3	1.2	0.6
355	57.6	19.0	10.9	6.3	4.9	3.7	2.3	1.2	0.6
360	56.5	19.3	11.1	6.3	4.9	3.6	2.3	1.3	0.6

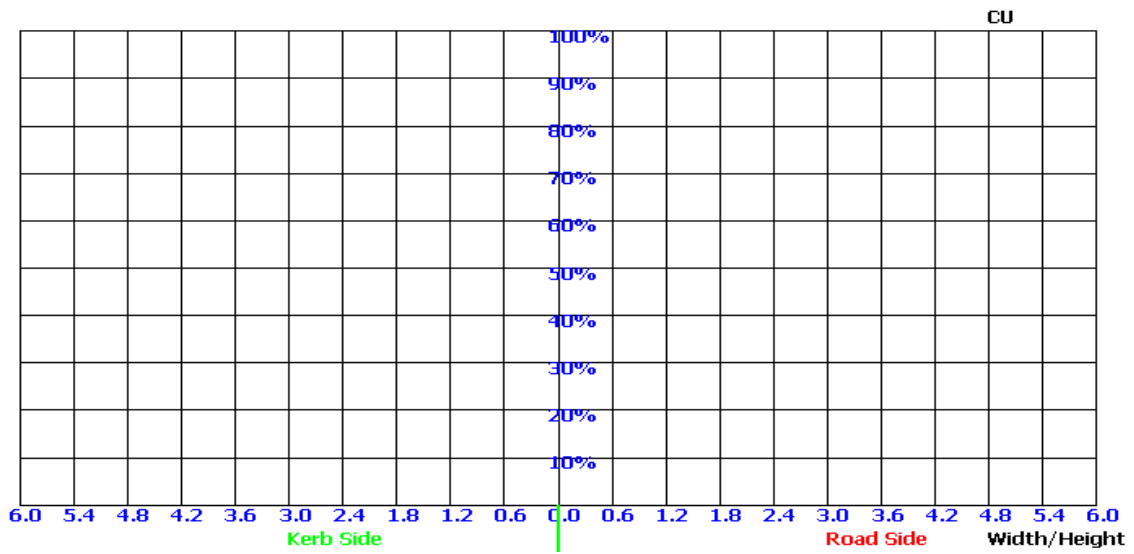
RP Lighting • Fans Zonal

Flux 4428xx-30-3K

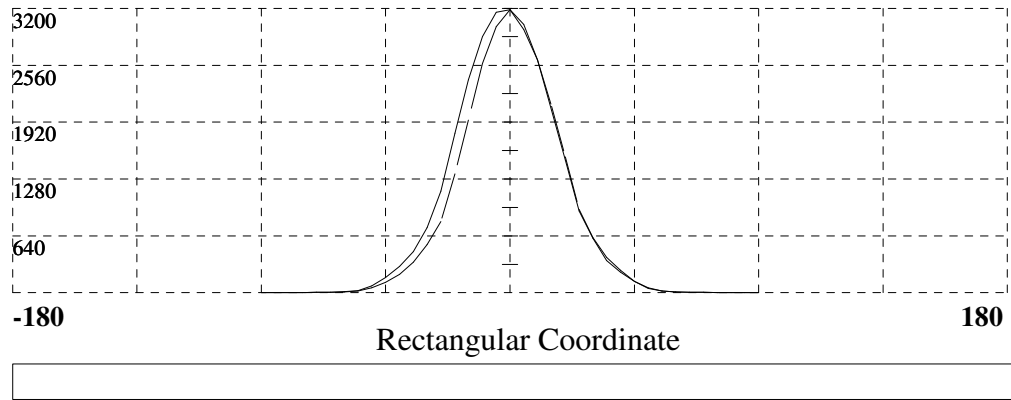
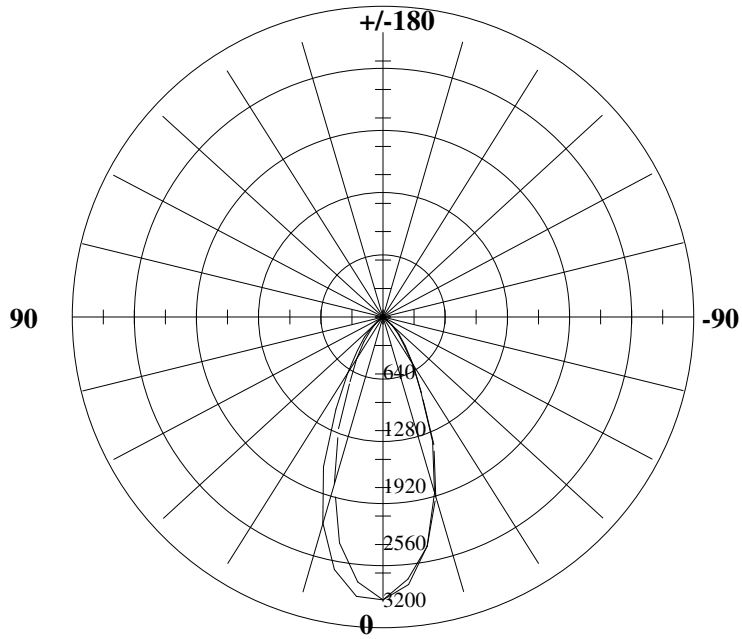
Gamma [°]	I_{mean} [cd]	Zonal Flux [lm]	Sum.Flux [lm]	Zonal Flux [%]	Sum.Flux [%]
0	3183.37	0.00	0.00	0.00	0.00
5	3033.84	74.33	74.33	-7432.51	-7432.51
10	2676.72	204.28	278.61	-20428.49	-27861.00
15	2128.26	285.03	563.64	-28502.80	-56363.79
20	1526.64	301.22	864.85	-30121.53	-86485.35
25	943.46	259.07	1123.92	-25906.79	-112392.15
30	621.62	198.06	1321.98	-19806.23	-132198.40
35	391.45	149.18	1471.17	-14918.24	-147116.64
40	245.41	106.26	1577.42	-10625.50	-157742.20
45	132.35	69.95	1647.37	-6994.51	-164736.76
50	57.56	38.37	1685.74	-3837.43	-168574.22
55	19.43	16.74	1702.48	-1673.99	-170248.17
60	10.94	7.02	1709.50	-702.04	-170950.18
65	6.68	4.28	1713.79	-428.43	-171378.56
70	5.08	2.98	1716.76	-297.80	-171676.42
75	3.77	2.31	1719.08	-231.28	-171907.74
80	2.37	1.64	1720.72	-164.14	-172071.92
85	1.35	1.01	1721.73	-100.89	-172172.79
90	0.60	0.53	1722.26	-53.35	-172226.15

RP Lighting • Fans

Coefficient Utilization Curve 4428xx-30-3K

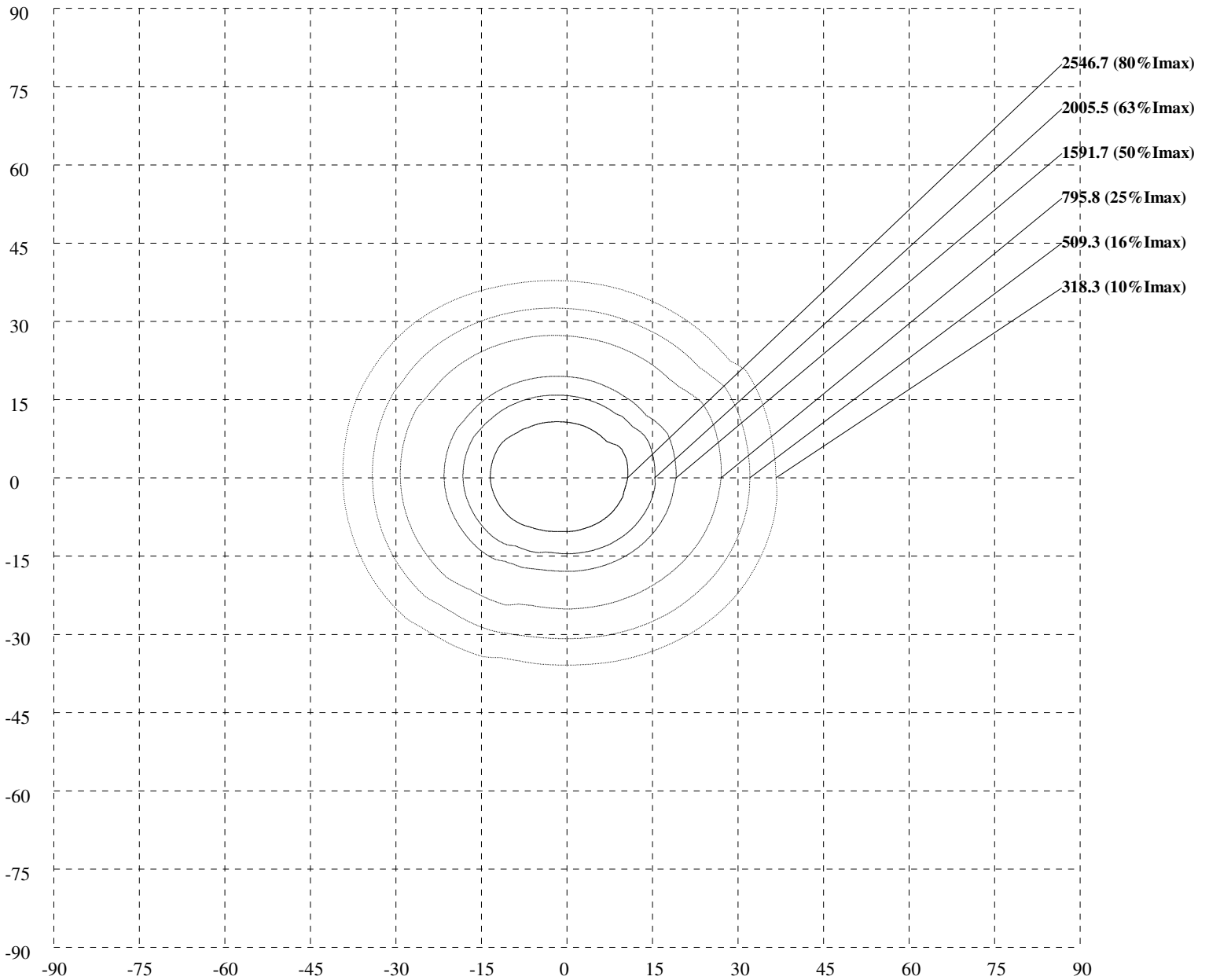


Light Distribution Curve[Unit: cd]



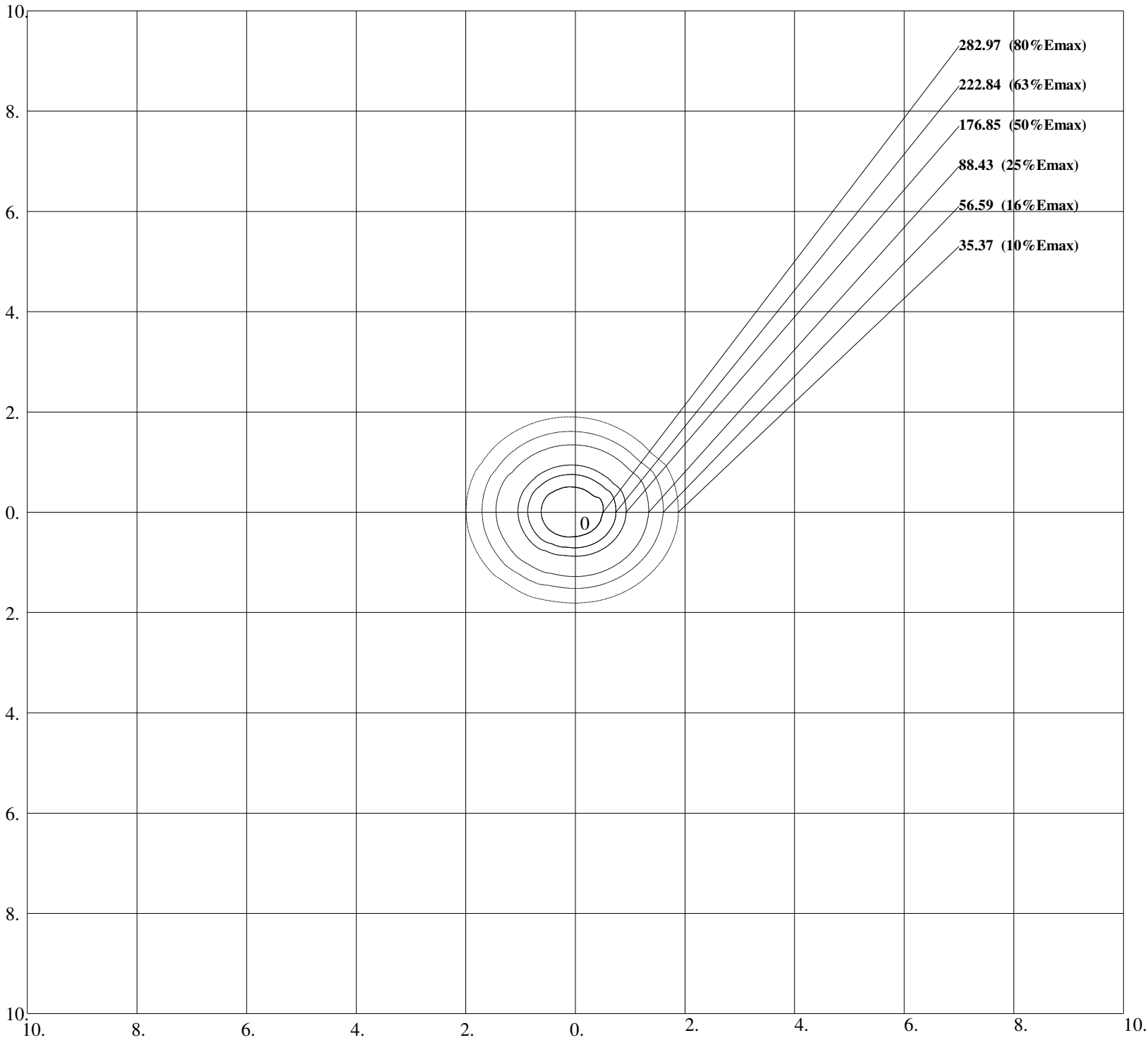
RP Lighting • Fans

ISO-Candela V-H [Unit :cd] 4428xx-30-3K



RP Lighting • Fans

Iso-Lux [Unit :lx] 4428xx-30-3K



Units: lx
Height: 3 m
Max Illuminance : 353.71lx

RP Lighting • Fans

Lux-Distance Curve

