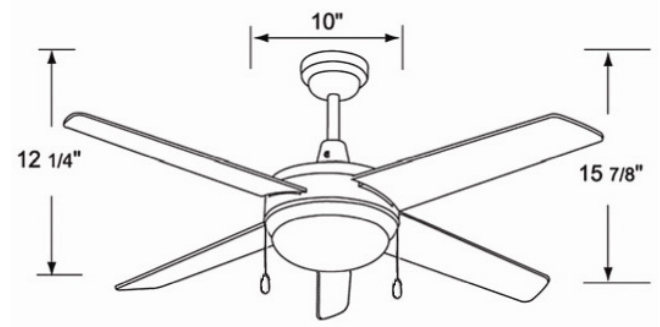


1005-E26

120V

Catalog #:		Type
Project:		Date
Prepared by:		

Mirage - 5-Blade, 50" Sweep



1005 Mirage

DESCRIPTION

The clean lines and modern design of The Mirage Series add style to any contemporary space. The efficient integrated light kit provides ample illumination and energy savings over traditional sources.

DESIGN FEATURES

Motor

- 3-Speed reversible
- 153 x 15 mm
- RPM: 212 (at highest speed)
- 64.3W Airflow | 5504 CFM | 86 CFM/W
- CFM/W
- Low: 181 Medium: 132 High: 86
- 3 capacitors
- 76" Lead wire | 4" down rod included
- Motor finishes: Brushed Nickel, Oil Rubbed Bronze, White and Black*

Blades

- 5-Blade, 50" sweep
- MDF construction: *To avoid fan blade warping - fan must be installed in a climate controlled environment*
- 12° pitch
- Blade finishes: Brushed Nickel, Oil Rubbed Bronze, White, & Black

Light Kit

- E26 light kit option: satin white glass, 2 x 9W E26 LED 3K (warm white) lamps included
- Shade: Satin white glass
 - Replacement glass: 1079G

Dimensions

15-7/8"	10"	12-1/4"
Height (lowest point)	Width (housing)	Height (top of blade)

Controls:

- Wall: WC-16
- Remote: RC-6

Certifications

- cETLus
- Limited Lifetime Warranty



ORDERING

Example: 1005WW-E26

Model #	Finish	E26
1005		
1005	BN : Brushed Nickel OB : Oil-Rubbed Bronze BK : Black WW : White BN-WT : Brushed Nickel - Walnut	-E26

