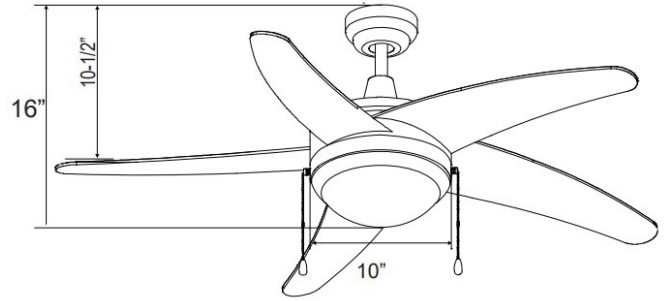


1025-E26-L

120V

Catalog #:		Type
Project:		Date
Prepared by:		

Mirage I - 5-Curved Blades 50" Sweep, E26 LED Light Kit Included



DESCRIPTION

The clean lines and modern design of The Mirage I Series add style to any contemporary space. The economical E26 light kit provides ample illumination and simplicity.

DESIGN FEATURES

Motor

- 3-Speed | Reversible
- AC Motor | 153 x 15 mm motor | 3 capacitors
- RPM: High: 204 Low: 89
- High: CFM: 5246 | Watts: 59.23 | Efficiency: 88.6
- Low: CFM: 2662 | Watts: 17.45
- 76" Lead wire | 4" down rod included

Blades

- 5-Curved Blade, 50" sweep
- Blade Construction: Plywood¹
- 12° pitch

Light Kit

- E26 light kit included
- 2 x 9W A19 LED | Dimmable | 3000K | lamps included; 900 lms (delivered)
- Shade: Satin white glass
- Replacement glass: 1079-G-E26

Dimensions

16"	10"	10-1/2"
Height (lowest point)	Width (housing)	Height (top of blade)

¹To avoid fan blade warping, fan must be installed in climate controlled environment

Controls:

- Pull Chain
- Optional Remote Control (sold separately) RC-10
- Optional Wall Control (sold separately) WC-4, WC-8, WC-13 and WC-16

Certifications

- cETLus listed for dry location
- Fan Motor: Lifetime Limited Warranty
- Light Kit: 1 Year Limited Warranty
- Lamps: 1 Year Limited Warranty

ORDERING

Example: 1025WH-E26-L

Model #	Finish	Socket Base	Light Kit
1025		-E26	-L
1025	BN-BN : Brushed Nickel / Brushed Nickel OB-OB : Oil Rubbed Bronze / Oil Rubbed Bronze WW-WW : White / White	-E26: socket base	-L: A19 LED lamps included

TEL: 800.937.6925 | Fax: 800.207.9509 | www.rplighting.com

Specifications and dimensions subject to change without notice.

