

LED J-Box Low Profile Disk

Value, Quality, Energy Efficient

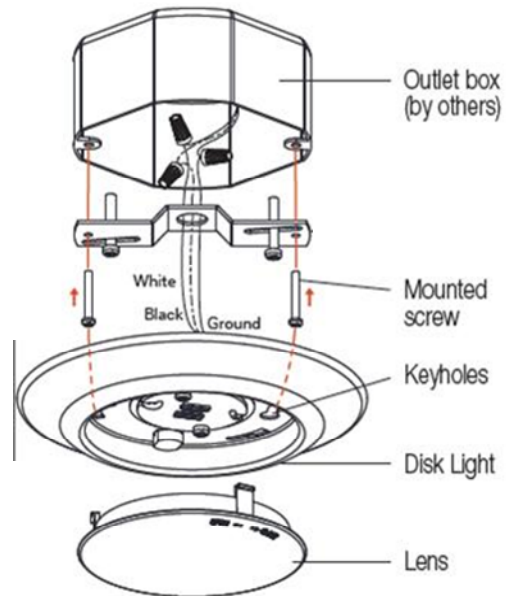
Type:	
Catalog #:	
Project:	
Comments:	
Prepared by:	



Design Features

- Mounting bracket accommodates 3-0 (3") or 4-0 (4") J-Box applications.
- 120V; 80 CRI; 3000K
- Wet Location List
- 10-100% dimmable driver. Driver is compatible with 120V Triac or ELV dimmers
- Recommended max fixture load is 30 fixtures per 600W dimmer switch
- Finishes: Brushed Nickel (BN), Oil Rubbed Bronze (OB), Black (BK), or White (WH)
- DIA: 5.9" H: 1.25"
- 50,000 hours project life

J-box Mounting



CATALOG #	WATTAGE	LUMENS	CCT	INPUT VOLTAGE	DIMMING	CRI
8756_-80-3K-D	12	630	3000	120V	Triac or ELV	80

Limited quantities - contact factory for availability.