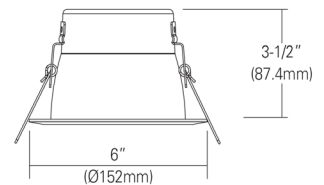
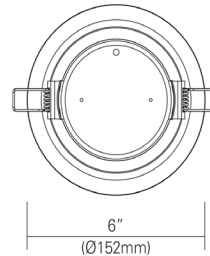


8041

120V-277V Universal Voltage

Catalog #:		Type
Project:		Date
Prepared by:		

4" NON-IC, Architectural LED Retro fit or New Construction Downlight



4" LED Architectural Downlight

DESCRIPTION

This 4" LED recessed downlight retrofit trim with integral one piece housing is designed for easy installation when retrofitting or new construction high output lighting is needed. Designed to replace most existing 4-1/2" to 5" aperture downlights.

DESIGN FEATURES

Construction

- Heavy gauge aluminum reflector allows heat dissipation
- Designed to replace most existing 4-1/2" to 5" aperture downlights
- New construction mounting plate accessory available

Electrical

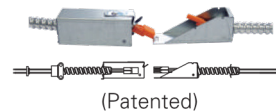
- 120-277V AC
- Dimmable TRIAC and 0-10V dimming in one module
- 50,000 hour projected life
- 15.2W, 1280lm (source), 985lm (delivered)
- 20.2W, 1710lm (source), 1295lm (delivered)
- 3000K | 3500K | 80 CRI
- Beam Angle: 65°

Finish

- Available in Haze clear finish

Installation

- Easy-quick metal connector case supplied allowing easy and sturdier wire connector
- Provided Easy-quick connector case



Certifications

- cCSAus certified for damp location
- Energy Star listed
- LED Light Source: 5 year limited warranty

ORDERING GUIDE

Example: 8041-15-35-EM

Model #	Wattage	CCT	EM Option
8041			
8041	-15 : 15.2W -20 : 20.2W	-30 : 3000K -35 : 3500K	blank : no EM option -EM : EM Battery Backup
Accessories (sold separately)			
8164H	4" Non-IC New Construction Mounting Plate		
8164HIC	4" IC New Construction Mounting Plate		

TEL: 800.937.6925 | Fax: 800.207.9509 | www.rplighting.com

Specifications and dimensions subject to change without notice.



LED Light Source

Other Components



RP LIGHTING · FANS

11/11/22 R2

8041

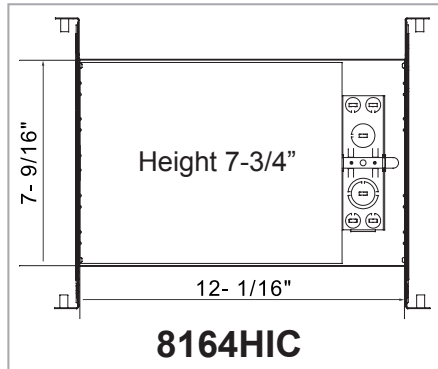
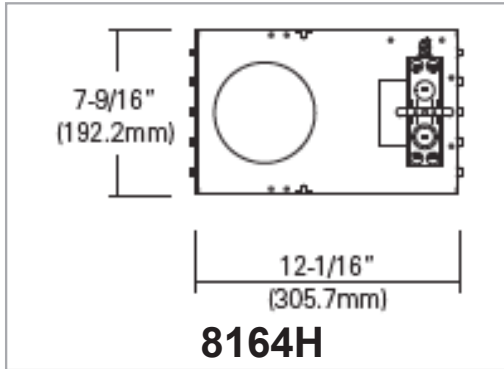
120V-277V Universal Voltage

Specification & Ordering

New Construction Mounting Plate Accessory

(sold separately)

- New construction installations use mounting plate 8164H or 8164HIC
- Heavy gauge bar hangers that include captive nails allow for the housing to be secured to ceilings joist or suspended "T" bar construction are included



Compatible Dimmers:

Triac Approved Dimmers

- Lutron: Skylark - SLV Series, SCL Series, Contour Series, Homeworks - RPM-4U*, QS HQRD-6ND Series, QS HQRD-10ND Series, Diva - DVCL Series, DVLV Series*, Nova T NT Series, Glyder GLV Series, Ariadni AYCL Series, RadioRA 2 10ND Series, Maestro Wireless MRF 2-6ND Series
- Leviton: SureSlide 6633*
- Lutron : Skylark SELV Series*, Homeworks QS HQRD-6NA*, Maestro - MAELV Series*, MRF 2-6ELV Series*, Diva DVELV Series*, NovaT ☆ NTELV Series*, RadioRA RRD-6NA Series*

0-10V Approved Dimmers

- Lutron: Nova® 0-10V : NTFTV, Diva® 0-10V : DVTV
- Leviton: Decora 0-10V : IP710DL