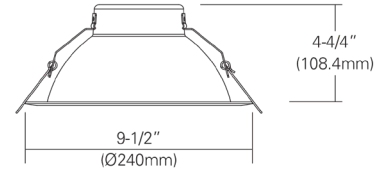
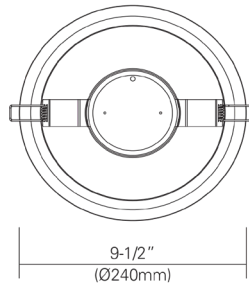


8081

120V-277V Universal Voltage

Catalog #:		Type
Project:		Date
Prepared by:		

8" NON-IC, Architectural LED Retro fit or New Construction Downlight



DESCRIPTION

This 8" LED recessed downlight retrofit trim with integral one piece housing is designed for easy installation when retrofitting or new construction high output lighting is needed. Compatible with most 8" architectural downlight housings with apertures between 8" - 8-3/4".

DESIGN FEATURES

Construction

- Heavy gauge aluminum reflector allows heat dissipation
- Designed to replace most existing 8" to 8-3/4" aperture downlights
- New construction mounting plate accessory available

Electrical

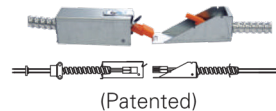
- 120-277V AC
- Dimmable TRIAC and 0-10V dimming in one module
- 50,000 hour projected life
- 15.2W, 1280lm (source), 985lm (delivered)
- 20.2W, 1710lm (source), 1295lm (delivered)
- 30W, 2570lm (source), 1915lm (delivered)
- 40W, 3420lm (source), 2565lm (delivered)
- 3000K | 3500K | 4000K | 80 CRI
- Beam Angle: 60°

Finish

- Available in Haze clear finish

Installation

- Easy-quick metal connector case supplied allowing easy and sturdier wire connector
- Provided Easy-quick connector case



Certifications

- cCSAus certified for damp location
- Energy Star listed
- 5 year limited warranty

ORDERING GUIDE

Example: 8081-30-40-EM

Model #	Wattage	CCT	EM Option
8081			
8081	-15 : 15.2W -20 : 20.2W -30 : 30.0W -40 : 40.0W ¹	-30 : 3000K -35 : 3500K -40 : 4000K	blank : no EM option -EM : EM Battery Backup
Accessories (sold separately)			
8168H	8" Non-IC New Construction Mounting Plate		
8168HIC	8" IC New Construction Mounting Plate		

1 - only available in 3000K or 4000K

8081

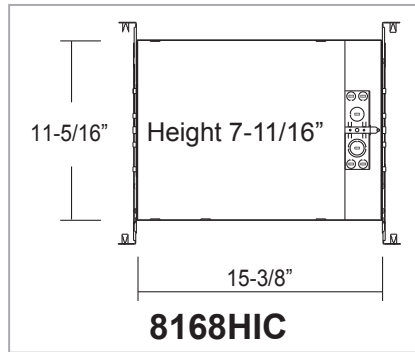
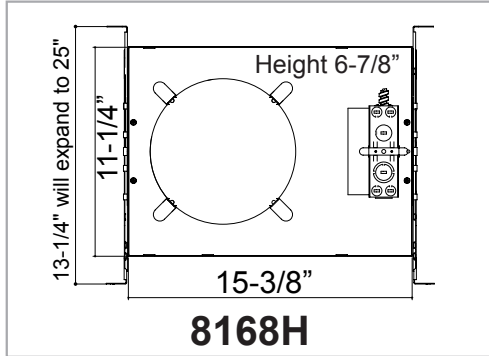
120V-277V Universal Voltage

Specification & Ordering

New Construction Mounting Plate Accessory

(sold separately)

- New construction installations use mounting plate 8168H or 8168HIC
- Heavy gauge bar hangers that include captive nails allow for the housing to be secured to ceilings joist or suspended "T" bar construction are included



Compatible Dimmers:

Triac Approved Dimmers

- Lutron: Skylark - SLV Series, SCL Series, Contour Series, Homeworks - RPM-4U*, QS HQRD-6ND Series, QS HQRD-10ND Series, Diva - DVCL Series, DVLV Series*, Nova T NT Series, Glyder GLV Series, Ariadni AYCL Series, RadioRA 2 10ND Series, Maestro Wireless MRF 2-6ND Series
- Leviton: SureSlide 663*
- Lutron : Skylark SELV Series*, Homeworks QS HQRD-6NA*, Maestro - MAELV Series*, MRF 2-6ELV Series*, Diva DVELV Series*, NovaT ☆ NTELV Series*, RadioRA RRD-6NA Series*

0-10V Approved Dimmers

- Lutron: Nova® 0-10V : NTFTV, Diva® 0-10V : DDTV
- Leviton: Decora 0-10V : IP710DL

FRK & LFK and SFK Series ETL Classified for retrofit in the following 8" architectural housings

- Halo: PD7V142E, PD7V120, PD7V501E, PD7V701E, PD7V1001E, PD7V70XIE, PD7V10X1E
- Juno: CV8-126 / 32 / 42T, TC908, MX8-(70,100), M8-(70,100)
- Lithonia: LP8F, CCR82, LP8H, LP8