

Installation Instructions

4782EM Multi-Functional Emergency Driver



READ AND FOLLOW ALL SAFETY INSTRUCTIONS

Note: This EM product is for use with a LED luminaire and supplies up to 9W of power (measured at nominal battery voltage) at a maximum voltage of 132 VDC in emergency mode for a minimum of 90 minutes.

1. To prevent high voltage from being present on Red and Red/White Battery Connection leads prior to installation, connectors must not be connected. **Do not join connectors until installation is complete and AC power is supplied to the EM driver.**
2. Make sure all connections are in accordance with the National Electrical Code, Canadian Electrical Code, and all local electrical codes.
3. To reduce the risk of electric shock, disconnect both normal and emergency power supplies and battery connectors of the emergency driver before servicing.
4. This product is suitable for use in damp locations where the ambient temperature is a minimum of 10°C and a maximum of 50°C. Product is not suitable for heated air outlets and wet or hazardous locations.
5. An un-switched AC power source is required (120-277 VAC, 60 Hz) to keep the battery charged.
6. Do not install near gas or electric heaters.
7. Do not attempt to service the battery. A sealed, no-maintenance battery is used that is not field replaceable. Contact the manufacturer for information on service.
8. The use of accessory equipment that is not recommended by the manufacturer may cause an unsafe condition.
9. Do not use this product for other than its intended use.
10. Servicing should be performed by qualified service personnel only.
11. Equipment should be mounted in locations and at heights where it will not be subjected to tampering by unauthorized personnel.

Contains Li-ion,
Rechargeable Battery.
Must be recycled or
disposed of properly.

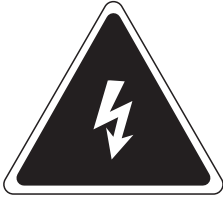


Trouble Shooting Codes via Test Button Light

Test Button Light	Problem	Corrective Action
Light on, not flashing	None	None, Unit is Operating Correctly.
Flashing 2 times every 5 seconds	Low battery charge	Charge the EM a minimum of 24 hours
Flashing 3 times every 5 seconds	Battery not connected	Ensure Battery Connectors are locked together.
Flashing 4 times every 5 seconds	LED Module not connected	Check LED Module connections
Flashing 5 times every 5 seconds	LED Module short circuit or Abnormal output	Check that the wiring is correct. (If the light output is abnormal, there are product compatibility issues.)
Flashes sequentially every 5 seconds	Multiple problems	Check all above actions.

Installation Instructions

4782EM Multi-Functional Emergency Driver

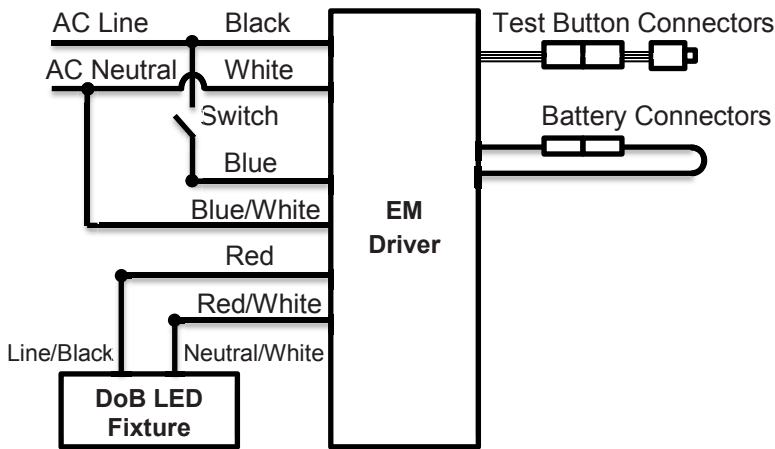


WARNING: To prevent high voltage from being present on output leads prior to installation, **Battery Connectors must NOT be joined together** until installation is complete and AC Driver, Transformer, or DoB AC Direct Luminaire.

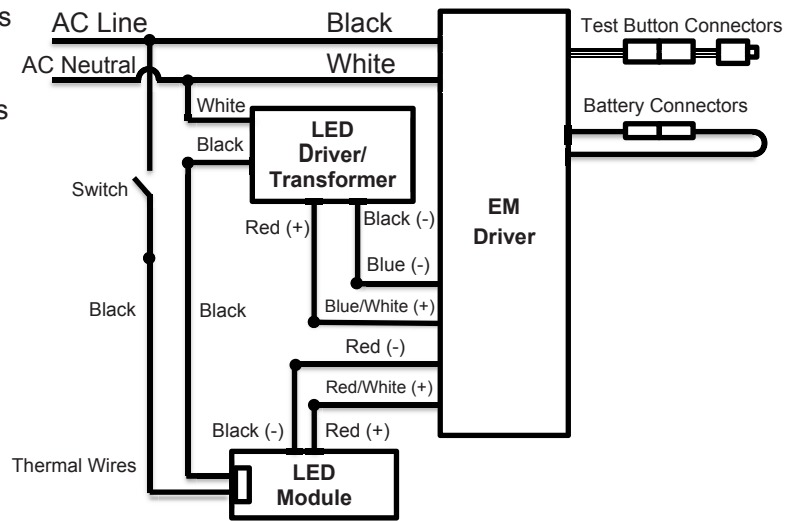
NOTE: Make sure the necessary branch circuit wiring is available. An un-switched power source is required for the EM. The EM must be fed from the same branch circuit as the AC Driver, Transformer, or DoB AC Direct Luminaire.

Typical Wiring Diagrams

DoB AC Direct Wiring



External Driver/Transformer Wiring



Note

For Type 2 units, Flex A is not provided. The wires exit through the opening near the studs on the bottom of the unit.

