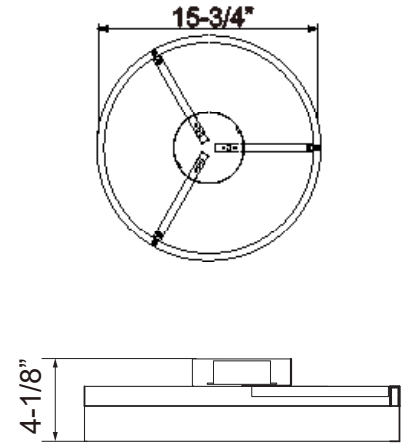


4319

120V

Catalog #:		Type
Project:		Date
Prepared by:		

Round Edge-Lit LED Ribbon



DESCRIPTION

An elegant addition to your home this sleek design allows for endless indoor applications with contemporary energy-efficient LED lights. This ceiling mount fixture can be used in spaces that need high angle lighting for the walls.

DESIGN FEATURES

Construction

- Durable metal frame and mounting
- Frosted acrylic diffuser

Electrical

- 120V-60Hz
- Dimmable TRIAC or ELV, 10-100%
- 50,000 hour projected life
- 25W | 1450 lms
- 3000K | 80 CRI

Installation

- Mounting bracket accommodates 3-O (3") or 4-O (4") J-Box applications

Dimension

- 15-3/4" x 4-1/8"

Certifications

- cETLus listed for damp location
- LED Lamp: 5 Year Limited Warranty
- Other Components: 1 Year Limited Warranty

ORDERING GUIDE

Example: 4319BN

Model	Finish
4319	BN
4319	BN : Brushed Nickel

TEL: 800.937.6925 | Fax: 800.207.9509 | www.rplighting.com

Specifications and dimensions subject to change without notice.

8/18/21 R1



4319 - Round Edge-Lit LED Ribbon