

READ AND SAVE THESE INSTRUCTIONS

Please read and understand this entire manual before attempting to install or operate the product.

Make sure that all electrical connections comply with local codes, ordinances and the National Electrical Code.

If you are unfamiliar with proper electrical wiring connections, obtain the services of a qualified electrician.

WARNING: To avoid the risk of electrical shock, turn the power off at the main fuse box or circuit breaker before wiring.

NOTE: Fan installation must be complete including assembly of fan blades before testing remote control.

Refer to your Ceiling fan instruction manual for safety and installation instructions.

The remote controller is to be used for control of DC ceiling fan and fan light only.

WARNING: Do not exceed **MAX rating power 50W for fan and 100W for ceiling fan light.**

WARNING: To reduce the risk of fire or injury, do not use this product in conjunction with any variable (Rheostat) wall control.

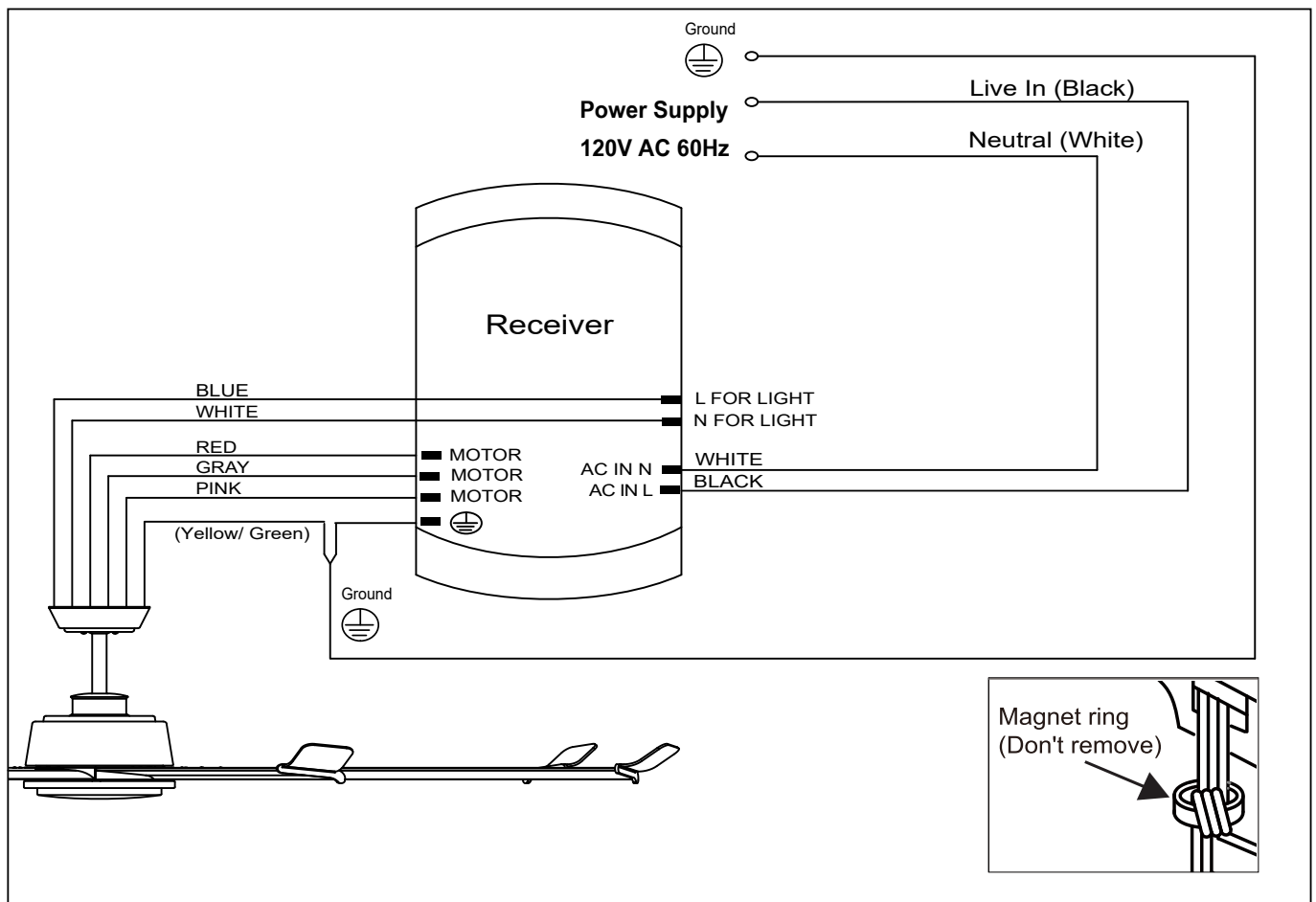
MAKING WIRE CONNECTIONS

IMPORTANT: Before installing the receiver, make sure the power on your fan is OFF.

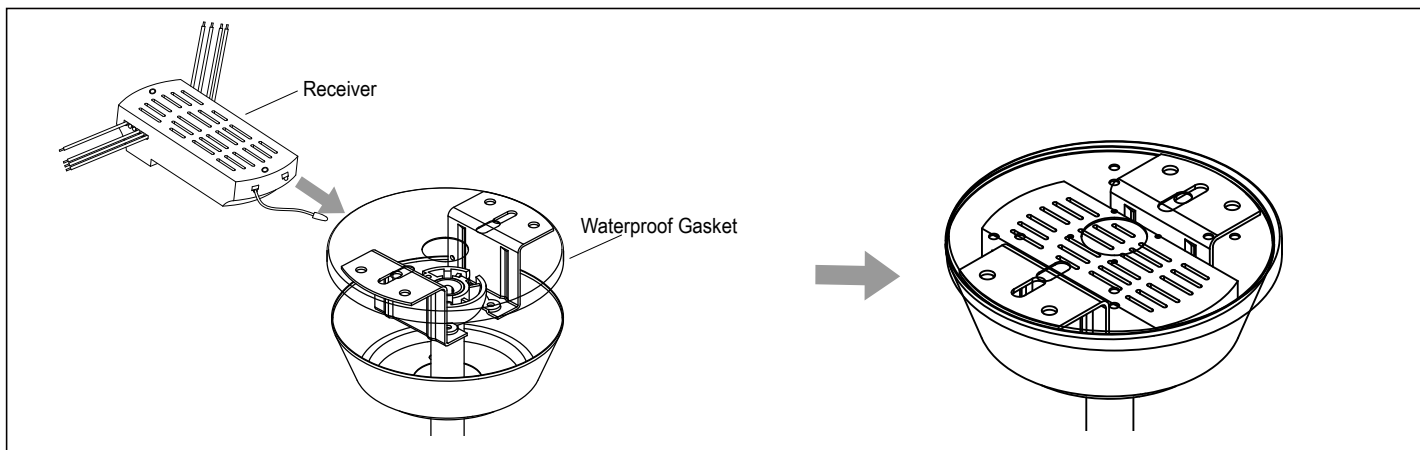
Connect wires by using wire connectors supplied.

- Connect the Black wire (marked AC IN L) from receiver to the Live (Black wire) from house.
- Connect the White wire (marked AC IN N) from receiver to the Neutral (White wire) from house.
- Connect yellow/green grounded wire to grounded wire from outlet box.
- Connect the motor wire (Red, Gray, Pink wire) from the fan to the receiver (Red, Gray, Pink wire).
- Connect the Light wire L (Blue wire) from fan to light Live (Blue wire) from receiver.
- Connect the Light wire N (White wire) from fan to Light Neutral (White wire) from receiver.

NOTE: Make sure the receiver is dedicated to the DC fan's model number before attempting to repair and replacement.



RC-7,RC-9
 DC CEILING FAN RF REMOTE CONTROL
 INSTALLATION AND OPERATION INSTRUCTIONS
 FOR FAN MODELS: 1070W, 1080W, 1088

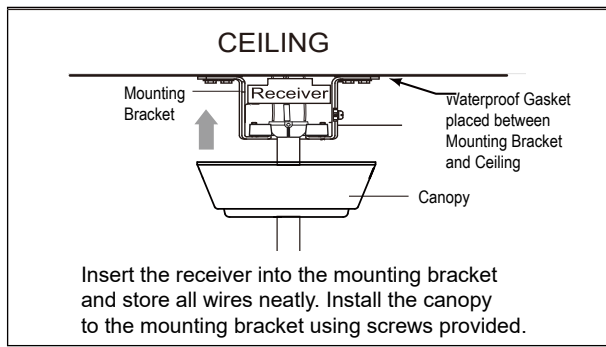


⚠ WARNING

To avoid the risk of fire or shock, make sure the electrical wires are completely tucked inside of the outlet box and not pinched between the ceiling and canopy.

⚠ WARNING

Check to see that all connections are tight, including ground, and that no bare wire is visible at the wire connectors, except for the ground wire. Do not operate fan unless blades are completely installed in place.



Learning Process

- Step 1: Install two(2) AAA Alkaline (1.5V) batteries(NOT INCLUDED).
- Step 2: Turn on the power on the fan, within 30 seconds turn the transmitter toward the receiver, press "FAN OFF" button and hold for 3-4 seconds, once the receiver has detected the frequency, the receiver will make "Beep sound", the digital pairing is done and you can;
 - a. Control the fan with this transmitter.
 - b. Re-match two ceiling fans with one transmitter with the same process.

If the fan is not responding to the transmitter, turn the power off to fan and turn it back on again and within 30 seconds repeat Step-2.

NOTE: When controlling two fans simultaneously, the installation distance between two fans must not exceed 49 ft.

NOTE: After the AC power is on, do not press any other button on the transmitter before doing a digital pairing.

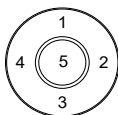
The digital pairing will not function 30 seconds after the receiver is powered on.

NOTE: Remove batteries if not used for a long period of time to prevent damage to the transmitter.

Remote Control Operation



Press and release this button to turn off fan.



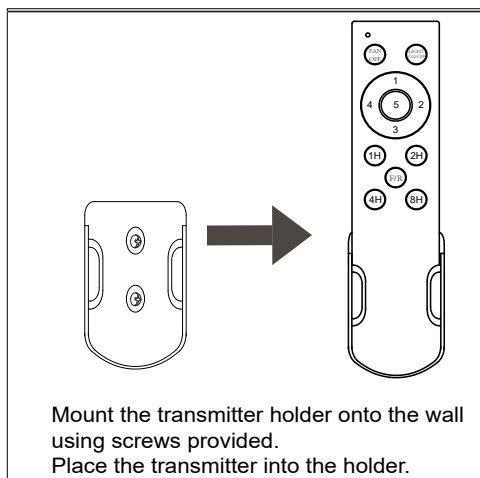
Operation buttons on the panel of the transmitter.
 1 = Highest Speed 4 = Low Speed
 2 = High Speed 5 = Lowest Speed
 3 = Medium Speed



Press this button to set fan wind direction up or down
Summer Mode(Forward)- Fan runs counterclockwise.
 Airflow provides a downward cooling breeze.
Winter Mode(Reverse) - Fan runs clockwise.
 Airflow will force warm air downward without a noticeable breeze.
NOTE: It will take a few seconds for fan to slow down and change rotation direction.



Turn light ON/OFF.



Timer Function: Setting up when the fan turn on. (1H) The fan will turn off after 1 hour. (2H) The fan will turn off after 2 hours.
 (4H) The fan will turn off after 4 hours. (8H) The fan will turn off after 8 hours.

NOTE: MAX operating distance 49 Ft. and MAX 10 Fans
 Within the effective operation distance, the ceiling fans farther away from the transmitter will act slightly slower because they receive the wireless signal slower than the fan closer to the transmitter, this phenomenon is normal.