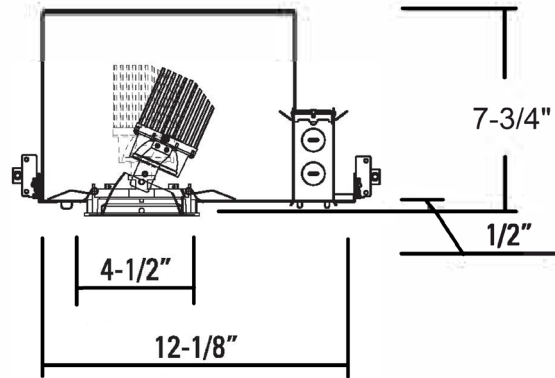


# 8340HIC

120V-277V Universal Voltage

|              |  |      |
|--------------|--|------|
| Catalog #:   |  | Type |
| Project:     |  | Date |
| Prepared by: |  |      |

## 3.5" IC Rated Type Round Architectural LED



Ceiling Cut-out: 4-1/16"(102mm)

Mounting Frame: 12-1/8"(307.3mm) x 7-5/8"(193.8mm)

3.5" Round Architectural LED

### DESCRIPTION

An ideal solution for efficiency, safety, and flexible design aesthetics. Adjustable to position the housing at any point within a 24" joist span or grid section. Balances efficiency and cost to bring you the options needed to complete a variety of retrofit projects with a reliable and modern LED down light solution.

### DESIGN FEATURES

#### Electrical

- 120V-277V Universal Voltage
- Triac and 0-10V dimmable driver
- High efficiency center beam options
- 50,000 hour projected life
- 10W, 845lm, 84.5lm/W
- 15W, 1085lm, 77.5lm/W
- 23W, 2000lm, 87lm/W
- CRI: 80 CRI
- CCT: 2700K, 3000K, 3500K, 4000K, or 5000K

#### Housing

- IC rated
- Thermally protected against improper lamping
- Adjustable trims may be directional 0-30° tilt and 356° rotational precision adjustment with position lock
- Interchangeable beam distribution by different beam spread from upper reflector

#### Junction Box

- J-box is listed for through-branch circuit wiring (4in – 4out), with seven 1/2" knockouts and four non-metallic cable knockouts with strain clamps
- 3-port quick connectors pre-installed in all J-boxes

#### Bar Hanger

- Pre-installed bar hangers are designed to fit "T" bar spine without additional clamps for use in drop ceilings
- Adjustable to position the housing at any point within a 24" joist span or grid section
- 4 captive nails for quick placement

#### Dimensions (W x H)

- 12-1/8" x 7-3/4"
- Aperture: 4-1/16"

#### Certifications

- cCSAus
- State of California Title 24
- 5 year limited warranty

#### MOQ

- Minimum Order Quantity: 150



TEL: 800.937.6925 | Fax: 800.207.9509 | [www.rplighting.com](http://www.rplighting.com)

Specifications and dimensions subject to change without notice.



RP LIGHTING · FANS

SPECIAL ORDER


# 8340HIC

120V-277V Universal Voltage

## Specification & Ordering


### HOUSING

Example: 8340HIC-10-80-27K

| Housing #                                                                                                          | Wattage/Lumen                                                                   | CRI                 | CCT                                                                       |
|--------------------------------------------------------------------------------------------------------------------|---------------------------------------------------------------------------------|---------------------|---------------------------------------------------------------------------|
| <br><b>8340HIC</b><br>120V-277V AC |                                                                                 | <b>-80</b>          |                                                                           |
|                                                                                                                    | <b>-10</b> : 10W, 845lm<br><b>-15</b> : 15W, 1085lm<br><b>-23</b> : 23W, 2000lm | <b>-80</b> : 80 CRI | -27K : 2700K<br>-3K : 3000K<br>-35K : 3500K<br>-4K : 4000K<br>-5K : 5000K |

### MODULE/TRIM


Example: 8350WH

| Module/Trim #                                                                                   | Finish            |
|-------------------------------------------------------------------------------------------------|-------------------|
| <br><b>8350</b> | <b>WH</b> : White |
|                                                                                                 |                   |

Straight reflector for downlight

### MODULE/TRIM


Example: 8351WH

| Module/Trim #                                                                                    | Finish            |
|--------------------------------------------------------------------------------------------------|-------------------|
| <br><b>8351</b> | <b>WH</b> : White |
|                                                                                                  |                   |

30° Angle accurately aiming for vertical & horizontal surface through aperture from below ceiling

### MODULE/TRIM

Example: 8352WH

| Module/Trim #                                                                                     | Finish            |
|---------------------------------------------------------------------------------------------------|-------------------|
| <br><b>8352</b> | <b>WH</b> : White |
|                                                                                                   |                   |

Angle cut wall wash reflector with flood lens

3.5" Round Architectural LED

SPECIAL ORDER