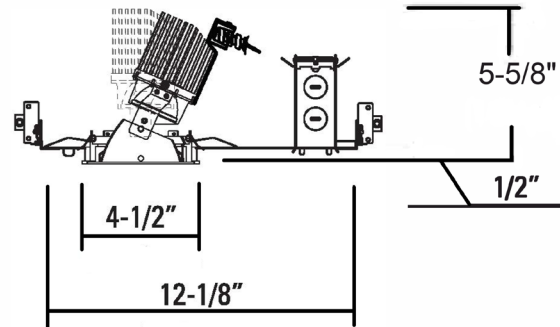
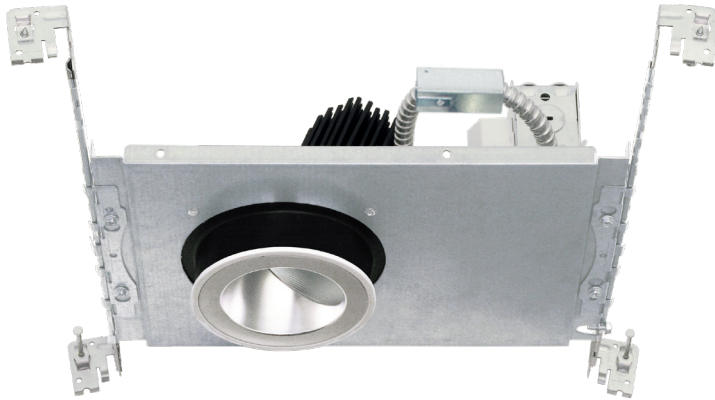


8340H

120V-277V Universal Voltage

Catalog #:		Type
Project:		Date
Prepared by:		

3.5" Non-IC Rated Type Round Architectural LED



Ceiling Cut-out: 4-1/16"(102mm)

Mounting Frame: 12-1/8"(307.3mm) x 7-5/8"(193.8mm)

3.5" Round Architectural LED

DESCRIPTION

An ideal solution for efficiency, safety, and flexible design aesthetics. Adjustable to position the housing at any point within a 24" joist span or grid section. Balances efficiency and cost to bring you the options needed to complete a variety of retrofit projects with a reliable and modern LED down light solution.

DESIGN FEATURES

Electrical

- 120V-277V Universal Voltage
- Triac and 0-10V dimmable driver
- High efficiency center beam options
- 50,000 hour projected life
- 10W, 845lm, 84.5lm/W
- 15W, 1085lm, 77.5lm/W
- 23W, 2000lm, 87lm/W
- CRI: 80 CRI
- CCT: 2700K, 3000K, 3500K, 4000K, or 5000K

Housing

- Thermally protected against improper lamping
- Adjustable trims may be directional 0-30° tilt and 356° rotational precision adjustment with position lock
- Interchangeable beam distribution by different beam spread from upper reflector

Junction Box

- J-box is listed for through-branch circuit wiring (4in – 4out), with seven 1/2" knockouts and four non-metallic cable knockouts with strain clamps
- 3-port quick connectors pre-installed in all J-boxes

Bar Hanger

- Pre-installed bar hangers are designed to fit "T" bar spine without additional clamps for use in drop ceilings
- Adjustable to position the housing at any point within a 24" joist span or grid section
- 4 captive nails for quick placement

Dimensions (W x H)

- 12-1/8" x 5-5/8"
- Aperture: 4-1/16"

Certifications

- cCSAus
- State of California Title 24
- 5 year limited warranty

MOQ

- Minimum Order Quantity: 150

SPECIAL ORDER

TEL: 800.937.6925 | Fax: 800.207.9509 | www.rplighting.com

Specifications and dimensions subject to change without notice.




8340H

120V-277V Universal Voltage

Specification & Ordering


HOUSING

Example: 8340HIC-10-80-27K

Housing #	Wattage/Lumen	CRI	CCT
 8340H 120V-277V AC		-80	
	-10W : 10W, 845lm -15W : 15W, 1085lm -23W : 23W, 2000lm	-80 : 80 CRI	-27K : 2700K -3K : 3000K -35K : 3500K -4K : 4000K -5K : 5000K

MODULE/TRIM


Example: 8350WH

Module/Trim #	Finish
 8350	WH : White

Straight reflector for downlight

MODULE/TRIM


Example: 8351WH

Module/Trim #	Finish
 8351	WH : White

30° Angle accurately aiming for vertical & horizontal surface through aperture from below ceiling

MODULE/TRIM

Example: 8352WH

Module/Trim #	Finish
 8352	WH : White

Angle cut wall wash reflector with flood lens

3.5" Round Architectural LED

SPECIAL ORDER