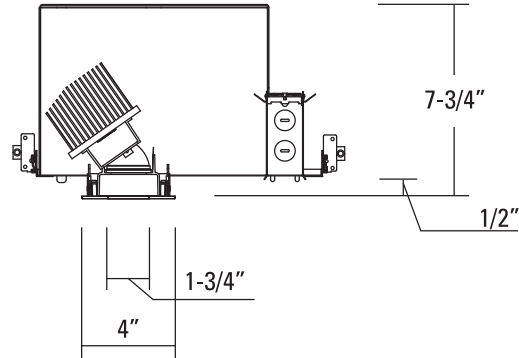


# 8341HIC

120V-277V Universal Voltage

Catalog #:		Type
Project:		Date
Prepared by:		

## 3.5" x 3.5" IC Rated Type Square Aperture Architectural LED



**Ceiling Cut-out:** 3-3/4" (96.5mm) SQ  
**Mounting Frame:** 12-1/8" (307.3mm) x 7-5/8" (193.8mm)

### DESCRIPTION

An ideal solution for efficiency, safety, and flexible design aesthetics. Adjustable to position the housing at any point within a 24" joist span or grid section. Balances efficiency and cost to bring you the options needed to complete a variety of retrofit projects with a reliable and modern LED down light solution.

### DESIGN FEATURES

#### Electrical

- 120V-277V Universal Voltage
- Triac and 0-10V dimmable driver
- High efficiency center beam options
- 50,000 hour projected life
- 10W, 845lm, 84.5lm/W
- 15W, 1085lm, 77.5lm/W
- 23W, 2000lm, 87lm/W
- CRI: 80
- CCT: 2700K, 3000K, 3500K, 4000K, or 5000K

#### Housing

- IC rated
- Adjustable trims may be directional 0-30° tilt and 356° rotational precision adjustment with position lock
- Interchangeable optics for beam spread of N: 15°, M: 38°, W: 60°

#### Junction Box

- J-box is listed for through-branch circuit wiring (4in – 4out), with seven 1/2" knockouts and four non-metallic cable knockouts with strain clamps
- 3-port quick connectors pre-installed in all J-boxes

#### Bar Hanger

- Pre-installed bar hangers are designed to fit "T" bar spine without additional clamps for use in drop ceilings
- Adjustable to position the housing at any point within a 24" joist span or grid section
- 4 captive nails for quick placement

#### Dimensions (W x H)

- 12-1/8" x 7-3/4"
- Aperture: 3-3/4"

#### Certifications

- cCSAus listed
- State of California Title 24
- 5 year limited warranty

#### MOQ

- Minimum Order Quantity: 150

TEL: 800.937.6925 | Fax: 800.207.9509 | [www.rplighting.com](http://www.rplighting.com)

Specifications and dimensions subject to change without notice.



Square Architectural LED

SPECIAL ORDER

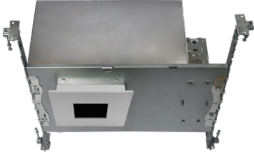
# 8341HIC

120V-277V Universal Voltage

## Specification & Ordering


### HOUSING

Example: 8341HIC-10-80-27K

Housing #	Wattage/Lumen	CRI	CCT
 <b>8341HIC</b> 120V-277V AC		<b>-80</b>	
	<b>-10W</b> : 10W, 845lm <b>-15W</b> : 15W, 1085lm <b>-23W</b> : 23W, 2000lm	<b>-80</b> : 80 CRI	-27K : 2700K -3K : 3000K -35K : 3500K -4K : 4000K -5K : 5000K


### MODULE/TRIM

Example: 8353WH

Module/Trim #	Finish
 <b>8353</b>	<b>WH</b> : White
	Straight fixed lamp   Included "solite" soft focus lens


### MODULE/TRIM

Example: 8354WH

Module/Trim #	Finish
 <b>8354</b>	<b>WH</b> : White
	Adjustable 0~30° tilt

### MODULE/TRIM

Example: 8355WH

Module/Trim #	Finish
 <b>8355</b>	<b>WH</b> : White
	Fixed lamp position   Select lens with clear or mist   Available in wet location with gasket

Square Architectural LED

SPECIAL ORDER