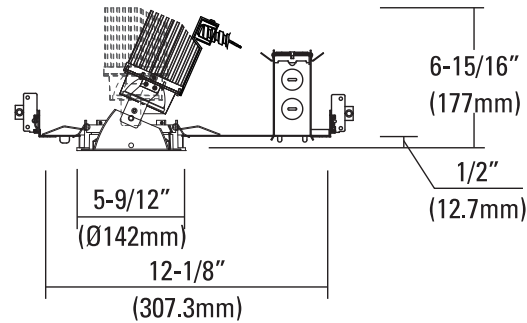
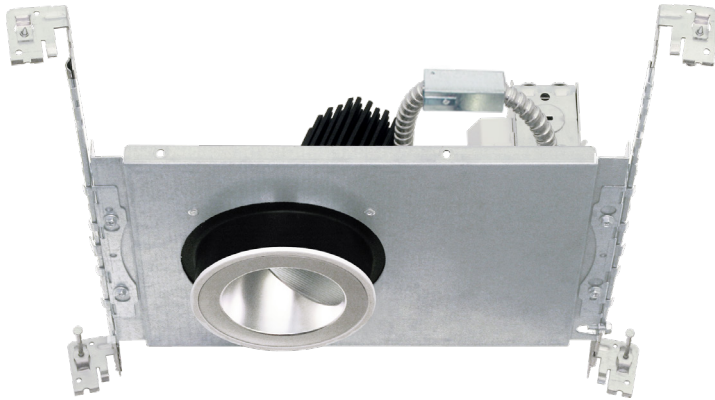


8350H

120V-277V Universal Voltage

Catalog #:		Type
Project:		Date
Prepared by:		

4" Non-IC Rated Type Round Architectural LED



Ceiling Cut-out: 4-1/16" (102mm)
 Mounting Frame: 12-1/8" (307.3mm) x 7-5/8" (193.8mm)

4" Round Architectural LED

DESCRIPTION

An ideal solution for efficiency, safety, and flexible design aesthetics. Adjustable to position the housing at any point within a 24" joist span or grid section. Balances efficiency and cost to bring you the options needed to complete a variety of retrofit projects with a reliable and modern LED down light solution.

DESIGN FEATURES

Electrical

- 120V-277V Universal Voltage
- Triac and 0-10V dimmable driver
- High efficiency center beam options
- 50,000 hour projected life
- 10W, 800lm, 80lm/W
- 15W, 855lm, 61lm/W
- 23W, 1850lm, 80lm/W
- 30W, 2500lm, 83.3lm/W
- CRI: 80 CRI
- CCT: 2700K, 3000K, 3500K, 4000K, or 5000K

Housing

- Adjustable trims may be directional 0-30° tilt and 356° rotational precision adjustment with position lock
- Interchangeable optics for beam spread of N: 15°, M: 38°, W: 60°

Junction Box

- Listed for through branch circuit wiring (4in-4out) with seven (7) 1/2" knockouts and 4 non metallic cable knock outs with strong clamps
- 3-port quick connectors pre-installed in J-Box

Bar Hanger

- Pre-installed bar hangers are designed to fit "T" bar spine without additional clamps for use in drop ceilings
- Adjustable to position the housing at any point within a 24" joist span or grid section
- 4 captive nails for quick placement

Dimensions (W x H)

- 12-1/8" x 6-15/16"
- Aperture: 4-1/16"

Certifications

- cCSAus listed
- State of California Title 24
- 5 year limited warranty

MOQ

- Minimum Order Quantity: 150

SPECIAL ORDER

TEL: 800.937.6925 | Fax: 800.207.9509 | www.rplighting.com

Specifications and dimensions subject to change without notice.



LIGHTING · FANS


8350H

120V-277V Universal Voltage

Specification & Ordering


HOUSING

Example: 8350H-10-80-27K

Housing #	Wattage/Lumen	CRI	CCT
 8350H 120V-277V AC		-80	
	-10 : 10W, 800lm -15 : 15W, 855lm -23 : 23W, 1850lm -30 : 30W, 2500lm	-80 : 80 CRI	-27K : 2700K -3K : 3000K -35K : 3500K -4K : 4000K -5K : 5000K

MODULE/TRIM


Example: 8340WH

Module/Trim #	Finish
 8340	WH : White

Straight reflector cone.

MODULE/TRIM


Example: 8341WH

Module/Trim #	Finish
 8341	WH : White

Angle cut reflector for wall wash. Adjustable 0~40° angle accurately aiming for vertical & horizontal surface through aperture by screw driving from below ceiling. Different beam angled inner reflectors with narrow, medium, wide

MODULE/TRIM

Example: 8342WH

Module/Trim #	Finish
 8342	WH : White

0~40° angle accurately aiming for vertical & horizontal surface through aperture by screw driving. Different beam angled inner reflectors for narrow, medium.

4" Round Architectural LED

SPECIAL ORDER