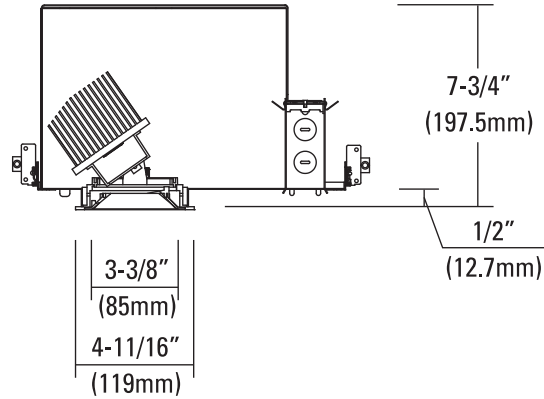


8351HIC

120V-277V Universal Voltage

Catalog #:		Type
Project:		Date
Prepared by:		

4" x 4" IC Rated Type Square Aperture Architectural LED



Ceiling Cut-out: 4-3/8" (111mm) SQ
Mounting Frame: 12-1/8"(307.3mm) x 7-5/8"(193.8mm)

DESCRIPTION

An ideal solution for efficiency, safety, and flexible design aesthetics. Adjustable to position the housing at any point within a 24" joist span or grid section. Balances efficiency and cost to bring you the options needed to complete a variety of retrofit projects with a reliable and modern LED down light solution.

DESIGN FEATURES

Electrical

- 120V-277V Universal Voltage
- Triac and 0-10V dimmable driver
- High efficiency center beam options
- 50,000 hour projected life
- 10W, 850lm, 85lm/W
- 15W, 1070lm, 76lm/W
- 23W, 1600lm, 70lm/W
- 30W, 2630lm, 88lm/W
- CRI: 80 CRI
- CCT: 2700K, 3000K, 3500K, 4000K, or 5000K

Housing

- IC Rated
- Adjustable trims may be directional 0-30° tilt and 356°rotational precision adjustment with position lock
- Interchangeable optics for beam spread of N: 15°, M: 38°, W: 60°

Junction Box

- Listed for through branch circuit wiring (4in-4out) with seven (7) 1/2" knockouts and 4 non metallic cable knockouts with strong clamps
- 3-port quick connectors pre-installed in J-Box

Bar Hanger

- Pre-installed bar hangers are designed to fit "T"bar spine without additional clamps for use in drop ceilings
- Adjustable to position the housing at any point within a 24" joist span or grid section
- 4 captive nails for quick placement

Dimensions (W x H)

- 12-1/8" x 7-3/4"
- Aperture: 4-3/8"

Certifications

- cCSAus listed
- State of California Title 24
- 5 year limited warranty

MOQ

- Minimum Order Quantity: 150



TEL: 800.937.6925 | Fax: 800.207.9509 | www.rplighting.com

Specifications and dimensions subject to change without notice.



LIGHTING · FANS

Square Architectural LED

SPECIAL ORDER


8351HIC

120V-277V Universal Voltage

Specification & Ordering


HOUSING

Example: 8351HIC-10-80-27K

Housing #	Wattage/Lumen	CRI	CCT
 8351HIC 120V-277V AC		-80	
	-10 : 10W, 850lm	-80 : 80 CRI	-27K : 2700K
	-15 : 15W, 1070lm		-3K : 3000K
	-23 : 23W, 1600lm		-35K : 3500K
	-30 : 30W, 2630lm		-4K : 4000K
		-5K : 5000K	


MODULE/TRIM

Example: 8343WH

Module/Trim #	Finish
 8343	WH : White
Straight fixed lamp Included "solite" soft focus lens	


MODULE/TRIM

Example: 8344WH

Module/Trim #	Finish
 8344	WH : White
Adjustable 0~30° tilt	

MODULE/TRIM

Example: 8345WH

Module/Trim #	Finish
 8345	WH : White
Fixed lamp position Select lens with clear or mist Available in wet location with gasket (TML-356-WW)	

Square Architectural LED

SPECIAL ORDER