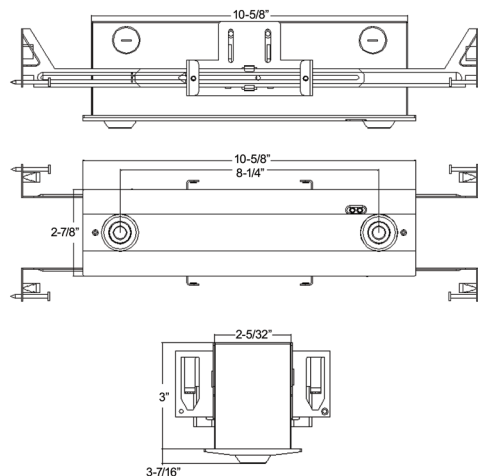


REL35

120/277V

Catalog #:		Type
Project:		Date
Prepared by:		

LED Recessed Emergency Lighting



DESCRIPTION

The REL35 is a ceiling mounted, recessed emergency light with excellent illumination coverage. It provides 90 minutes of emergency illumination when power is lost.

DESIGN FEATURES

Construction

- High impact thermoplastic and flame retardant housing
- Low profile, ultra slim design
- Completely self-contained
- Protected from deep discharge by automatic low voltage disconnect circuitry. Whenever normal AC current fails, the integral state transfer switches automatically connects the internal battery to the fixture to keep it illuminated for at least 90 minutes

Electrical

- 120/277VAC 60Hz
- Source lumens: 300lm | delivered lumens: 250lm
- Max. 1.5W* 2pcs
- Ni-Mh 3.6V battery
- Beam angle: 30°
- Ambient temperature of 50°F (10°C) to 104°F (40°C)
- 50,000 hour projected life

Installation

- Pre-installed bar hangers allow unit to be positioned at any point within a 24" joist span
- Pre-installed captive nails included
- Bar hangers for mounting to T-Grid ceiling
- Conduit entry through knock-outs
- Designed for ceiling mount only

Dimensions (W x D X H)

- 10-5/8" x 3" x 2-3/4"

Certifications

- UL listed for Damp location
- UL924 standard, comply with NFPA101, NFPA70, NEC and OSHA requirements
- 5 year limited warranty

ORDERING

Example: REL35-BA

Model #	Finish
REL35	
REL35	BA : Brushed Aluminum

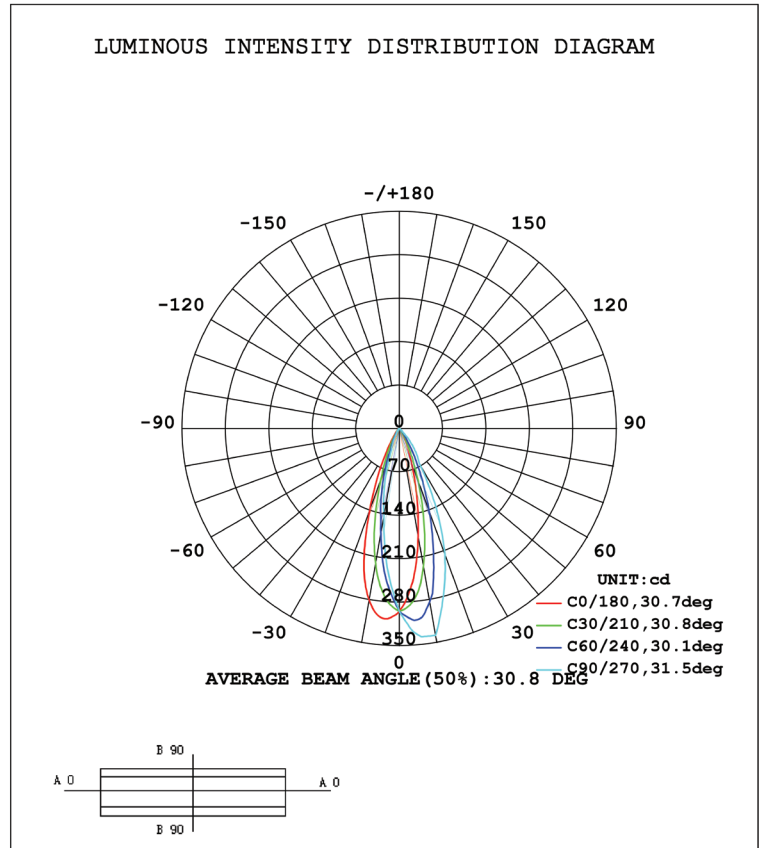


REL35

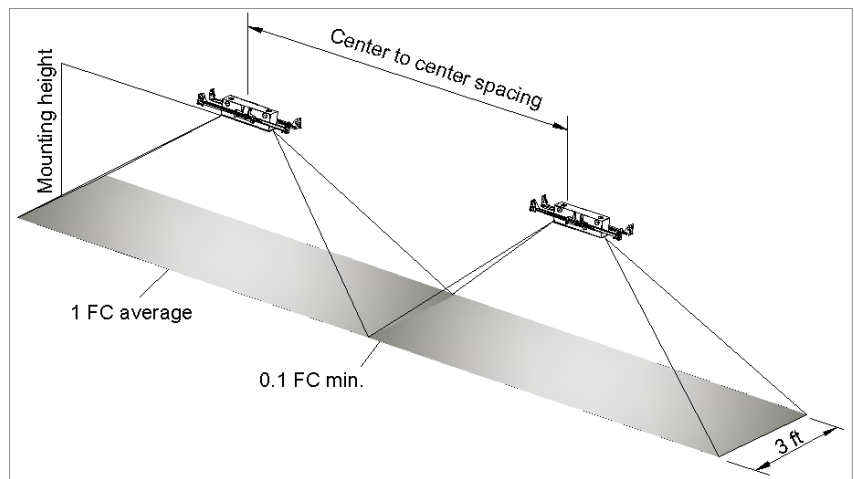
120/277V

Spacing Distance

Luminous Intensity Distribution



Center to Center Spacing -
 NFPA 101 requires 1.0 foot-candle average and 0.1 foot-candle minimum with a 40:1 maximum/minimum ratio. The corridor used is 100 feet long, 9' ceiling with a 6' wide walkway and 3' path of egress. The reflectance are 80% ceiling, 50% walls and 20% floor. The fixture mounting height is 7-1/2'.



Model	Spacing @ 7.5' mounting height	Spacing @ 10' mounting height
REL35	24'	25'