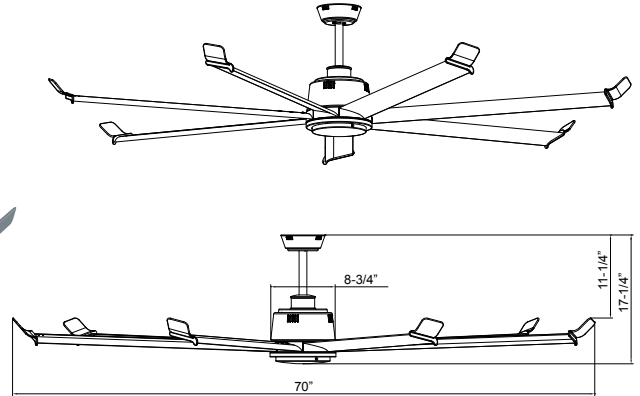


1070W-__-__-WC

120V

Catalog #:		Type
Project:		Date
Prepared by:		

Arctic 7-Blade, 70" Sweep, Wet Listed



Arctic 7-Blade, 70" Sweep

DESCRIPTION

The Arctic 1070W is a wet-listed fan, sleek and modern silhouette that features an energy-efficient DC motor and a stunning 70" blade sweep. This design is made to move a large amount of air for commercial, industrial or larger residential spaces.

DESIGN FEATURES

Motor

- 5 speed / reversible
- DC Motor 180 x 17 mm
- RPM: 76 (at highest speed)
- 39.92W | 10012.36CFM
- CFM
 - Low: 5031.47 High: 10012.36
- Airflow Efficiency: 205
- 76" Lead wire
- 8" & 24" Down rod included

Blades

- 7-Blade, 70" sweep
- Aluminum construction
- 18° pitch

Finishes

- Motor and blade finishes: brushed pewter, oil-rubbed bronze and white

Light Kit

- Adaptable Light Kit

Dimensions

17-1/4"	8-3/4"	11-1/4"
Height (lowest point)	Width (housing)	Height (top of blade)

Wall Control

- Wall Control Included: WCR-70

Certifications

- Energy Star 4.0 Compliant
- UL listed for Wet locations
- Limited lifetime warranty



ORDERING

Example: 1070W-BP-BP-WC

Model	Housing and Blade Finish
1070W-__-__-WC	BP-BP : Brushed Pewter OB-OB : Oil Rubbed Bronze WW-WW : White

TEL: 800.937.6925 | Fax: 800.207.9509 | www.rplighting.com

Specifications and dimensions subject to change without notice.



RP | LIGHTING • FANS