

## CARE AND MAINTENANCE:

**CAUTION-** Be certain the power is turned off and ensure fixture surface temperature is cool enough to touch before cleaning the fixture.

- DO NOT clean or perform maintenance while fixture is energized.
- Clean the surface of the LED fixture periodically with a soft, dry cloth to remove the dust.

**Replacement** - This integrated LED fixture has no bulb to replace.

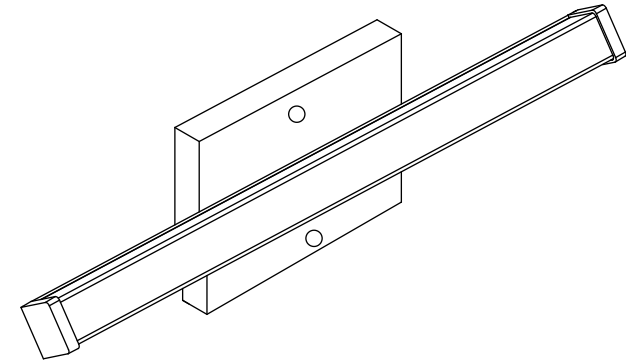
### Five Years Limited Warranty

RP Lighting warrants this product to be free from defects in material and workmanship for five years from the original date of purchase by the consumer.

This warranty is limited to the counter replacement at the time of purchase with the original receipt. We will not be liable for the loss or damages of any kind, incidental or consequential damages of any kind, whether based on negligence and/or arising in connection with the sale, use or repair of the product claimed to be defective.

Some states do not allow the exclusion or limitation of incidental or consequential damages so above limitation may not apply to you. This warranty gives you specific legal right and you may also have other rights, which vary from state to state. Misuse, improper installation, accidental damages or modifications will void warranty.

## LED VANITY LIGHT



Brushed Nickel Finish

Warm White

3000K | 90CRI

Dimmable



Model	Size	Watts	Input Volt.	CCT
4907BN-18	18in	12W	120V	3000K
4907BN-24	24in	15W	120V	3000K
4907BN-36	36in	25W	120V	3000K
4907BN-48	48in	30W	120V	3000K

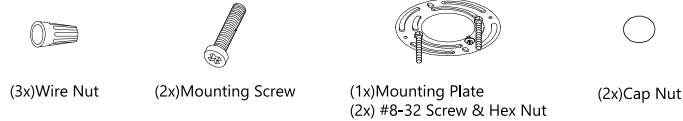
## READ AND FOLLOW SAFETY INSTRUCTIONS

**WARNING** : Turn off the main power at the circuit breaker before installing and servicing the fixture to prevent possible injury from electric shock.

### CAUTIONS-

1. All electrical connections must be in accordance with local and National Electrical Code (N.E.C.) standards.
2. If you are unfamiliar with proper electrical wiring connections, obtain the services of a qualified electrician.
3. Use minimum 90° C supply conductors.
4. All parts must be used as indicated in these instructions. DO NOT substitute any parts, leave parts out or use any parts that damaged. Failure to follow instruction could invalidate safety listing and warranty of this fixture.
5. Carefully hold the fixture, do not apply pressure to the fixture body.

Hardware Included:



## PREPARATION

1. Turn off the power at circuit breaker and remove existing fixture and mounting crossbar.
2. Unpack new fixture and remove all parts on a clean area. Be sure not to lose any small parts and mounting screws necessary for installation.

## INSTALLATION

### Step 1. Attaching mounting plate

- Pull the power supply wires out from the outlet box(1). Secure the mounting plate(3) to outlet box with two mounting screws(2). The green ground screw must face out.
- Adjust #8-32 fixture screws (8) to proper position and tighten with #8-32 fixture hex nut(9).

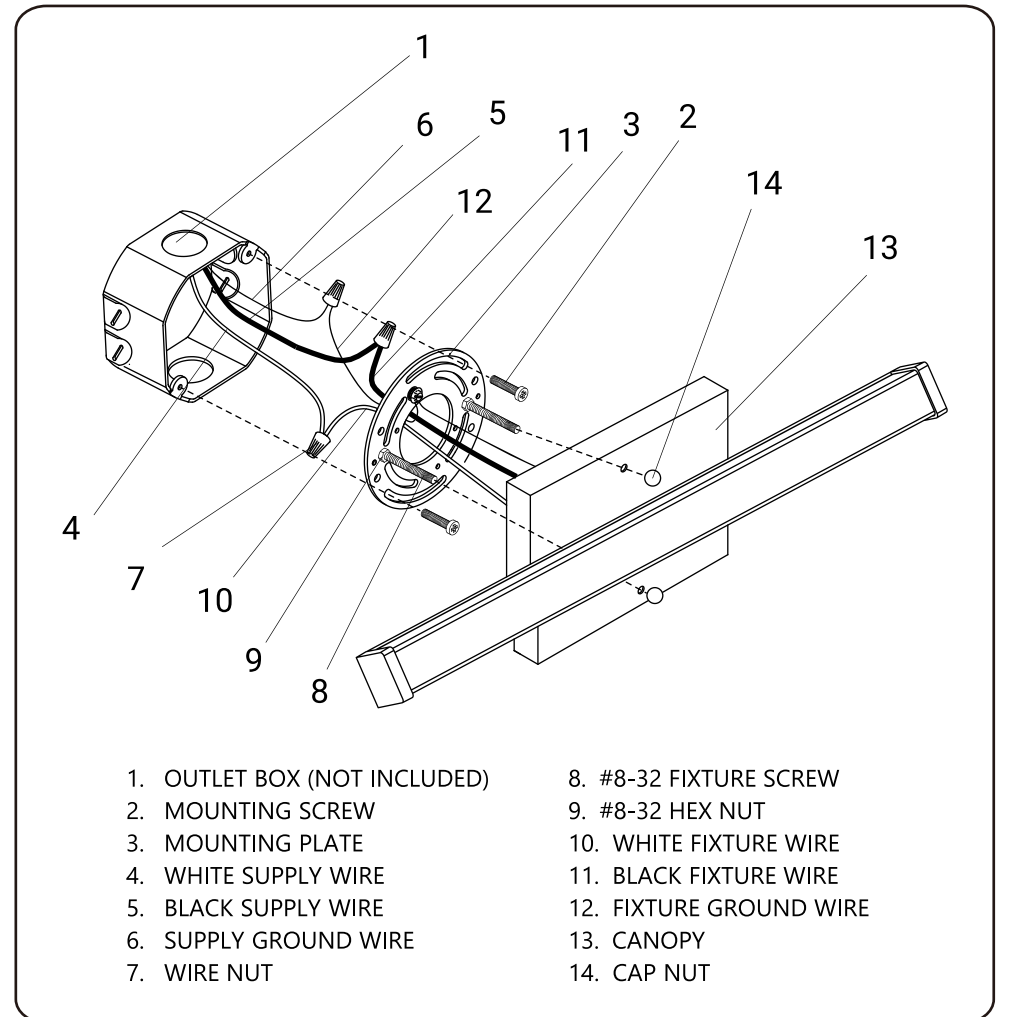
### Step 2. Making wire connections

- Make wire connections by using the provided wire nuts(7). Black(L) supply wire (5) to black fixture wire (11) White(N) supply wire (4) to white fixture wire(10) Connect the fixture copper ground wire(12) to supply ground wire(6) Wrap all wire connections with electrical tape for secure connection if needed.
- Tuck wire connections neatly back into the outlet box.

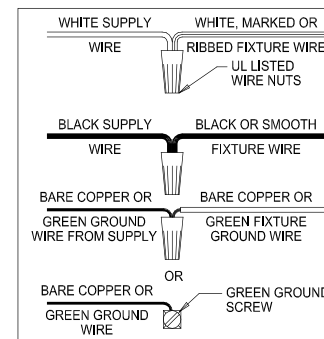
### Step 3. Mounting the fixture

- Place canopy (13) over the mounting plate, carefully passing fixture screws (8) through two holes in canopy(13).
- Secure the fixture into place using the provided two cap nuts(14).  
NOTE: Be sure wires do not get pinched between canopy and wall.
- Installation is complete, restore power at the circuit breaker and turn light switch on to activate this LED fixture.

P1.

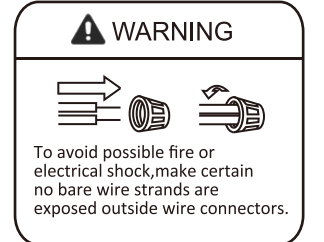


### General Wiring Diagram



### Compatible Dimmers

Brand	Model No.
Lutron	CT-600P
	DVCL-153P
	LGCL-153PLH
	TGCL-153P
	DV-600P
	MACL-153M
Leviton	IPL06-10Z



P2.