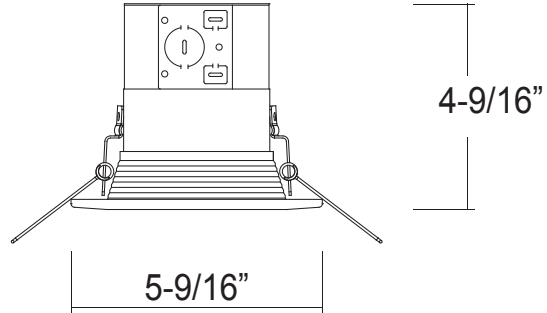


8775
120V-60Hz

Catalog #:		Type
Project:		Date
Prepared by:		

4" IC, LED J-Box Downlight



Ceiling Cut-out: 4-3/8"

DESCRIPTION

The 8775 4" LED Retrofit J-box Downlight is an all-in-one structure with integral J-box. Designed for use in new construction or remodel applications with insulated ceilings making this a quick, easy, and affordable way to upgrade to an energy efficient LED downlight solution.

DESIGN FEATURES

Construction

- All-in-one structure with integral J-box
- Durable aluminum integrated trim
- Acrylic Frosted Lens

Electrical

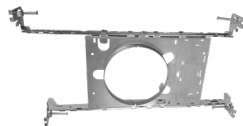
- 120V-60Hz
- Dimmable TRIAC or ELV, 10-100%
- 50,000 hour projected life
- 12.7W | 960 lms (source) | 805 lms (delivered)
- 3000K or 4000K | 90 CRI

Installation

- Listed for through branch circuit wiring and includes (4) 1/2" knockouts with true pry-out slots and (4) knockouts with Romex cable clamp
- Built-in mouse trap springs for use with direct remodel ceiling or new construction mounting plate

Available Accessory

- **PF-4:** Mounting plate assembly



Dimensions

- Housing: 5-9/16"W x 4-9/16" H
- Ceiling Cut-out: 4-3/8"

Certifications

- Energy Star Listed
- CEC JA8 Compliant
- IC Rated
- cCSAus Listed for wet locations
- LED Light Source: 5 Year Limited Warranty
- Other Components: 1 Year Limited Warranty

ORDERING GUIDE

Example: 8775WH-90-3K

Model #	Finish	CRI	CCT
8775	WH	-90	
8775	WH : White	-90 : 90 CRI	-3K : 3000K -4K : 4000K
Accessory			
PF-4	: 4" Mounting Plate		

TEL: 800.937.6925 | Fax: 800.207.9509 | www.rplighting.com

Specifications and dimensions subject to change without notice.



LED Light Source Other Components

5/25/22 R5



LIGHTING • FANS

8775 - 4" IC, LED J-Box Downlight

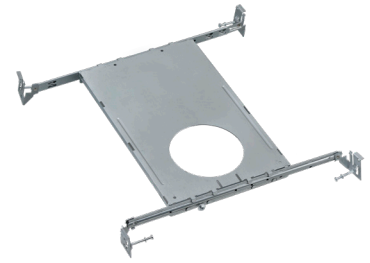
8775

120V

Available Accessory Information

Accessory Mounting Plate Assembly

- **PF-4**
- Includes four 12" bar hanger to allow for easy adjustment and easy installation
- Durable aluminum construction
- Perfect for installing recessed lighting into new construction



New Construction Mounting Plate Assembly:

1. Align hanger bar brackets with mounting holes on the new construction mounting plate and secure in place with mounting screws (Fig. 1).
NOTE: Hanger bars can be installed on long or short side of the new construction mounting plate.
2. Insert both female and male parts of the hanger bars into the bracket from opposite ends (Fig. 2). Make sure that the male part is inserted within the female part and that the end tab is facing downwards.

