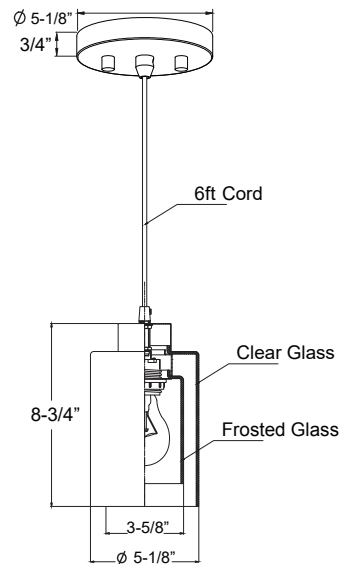


4606

120V

Catalog #:		Type
Project:		Date
Prepared by:		

LED Pendant Light



DESCRIPTION

The 4606 LED Pendant Light, is an updated, attractive accent to almost any interior design. Ideal for task lighting above desks, tables, bars, or spaces with high ceilings and minimal surface area.

DESIGN FEATURES

Construction

- Steel and glass construction
- 5" x 8-1/2" - with 6" adjustable cord

Electrical

- 120V - 60Hz
- 25,000 hour projected life
- 1x9W E26 LED A19, lamps included
- 3000K | 80 CRI | Dimmable

Installation

- Canopy and Mounting Plate included for ceiling installation in 3" and 4" J-Box applications.
- Includes 6' field adjustable cord
- Cord to canopy installation

Lens

- Inner Frosted White Glass lens surrounded by a Clear Glass Lens
- Inner frosted glass lens replacement: 4606G-FR
- Outer clear glass lens replacement: 4606G-CL

Certifications

- Energy Star Listed
- ETL Listed for damp location
- 5 year limited warranty

ORDERING GUIDE

Example: 4606BN

Model #	Finish
4606	BN
4606	BN : Brushed Nickel



TEL: 800.937.6925 | Fax: 800.207.9509 | www.rplighting.com

Specifications and dimensions subject to change without notice.

9/9/2020 R1



RP LIGHTING • FANS

4606 - LED Pendant