

# INSTALLATION INSTRUCTION

## LED OUTDOOR WALL FIXTURE

Model: 4405BK-E26

120V 60Hz input

www.rplighting.com

### READ AND FOLLOW SAFETY INFORMATION

- ⚠ WARNING** – Turn off the main power at the circuit breaker before installing and servicing the fixture to prevent possible injury from electric shock.
- All electrical connections must be in accordance with local and National Electrical Code (N.E.C.) standards. If you are unfamiliar with proper electrical wiring connections, obtain the services of a qualified electrician.

### ASSEMBLY & INSTALLATION ( see FIG.1)

1. Thread the 8-32 HEX NUT (9) onto the FIXTURE SCREW (8), and screw the FIXTURE SCREW (8) into the MOUNTING BRACKET (3), without tightening the HEX NUT (9).
2. Pull the power supply wires out from the OUTLET BOX (1) and mount the MOUNTING BRACKET (3) to the OUTLET BOX (1), using MOUNTING SCREWS (2).
3. See Fig. 2 to make electrical connections by using wire nut (7).
4. After wires are connected, tuck them carefully inside the outlet box.
5. Place Back plate (13) over the OUTLET BOX (1), and make sure FIXTURE SCREW (8) feed through the two holes on the canopy.
6. Thread 2 CAP NUT(14) onto the fixture screws (8), tighten them until Back plate (13) is securely mounted.
7. Installation complete, restore power at the circuit breaker and turn light switch on to activate this fixture.
8. After installing the fixture, caulk upper 2/3 of wire connection enclosure to mounting surface. Leave bottom 1/3 un-caulked for drainage of any water that might leak into the enclosure. A good example is a clear silicone rubber sealant for exterior use.
9. Install the included LED bulbs(16) into each medium-base socket  
Relamping-DO NOT exceed watts MAX as indicated on label.

#### NOTE

- This outdoor wall light fixture has been permanently installed a Photocell(15) switch, photocell turns lantern ON at dusk and automatically turns OFF at dawn. Please don't cover the photocell switch at anytime.

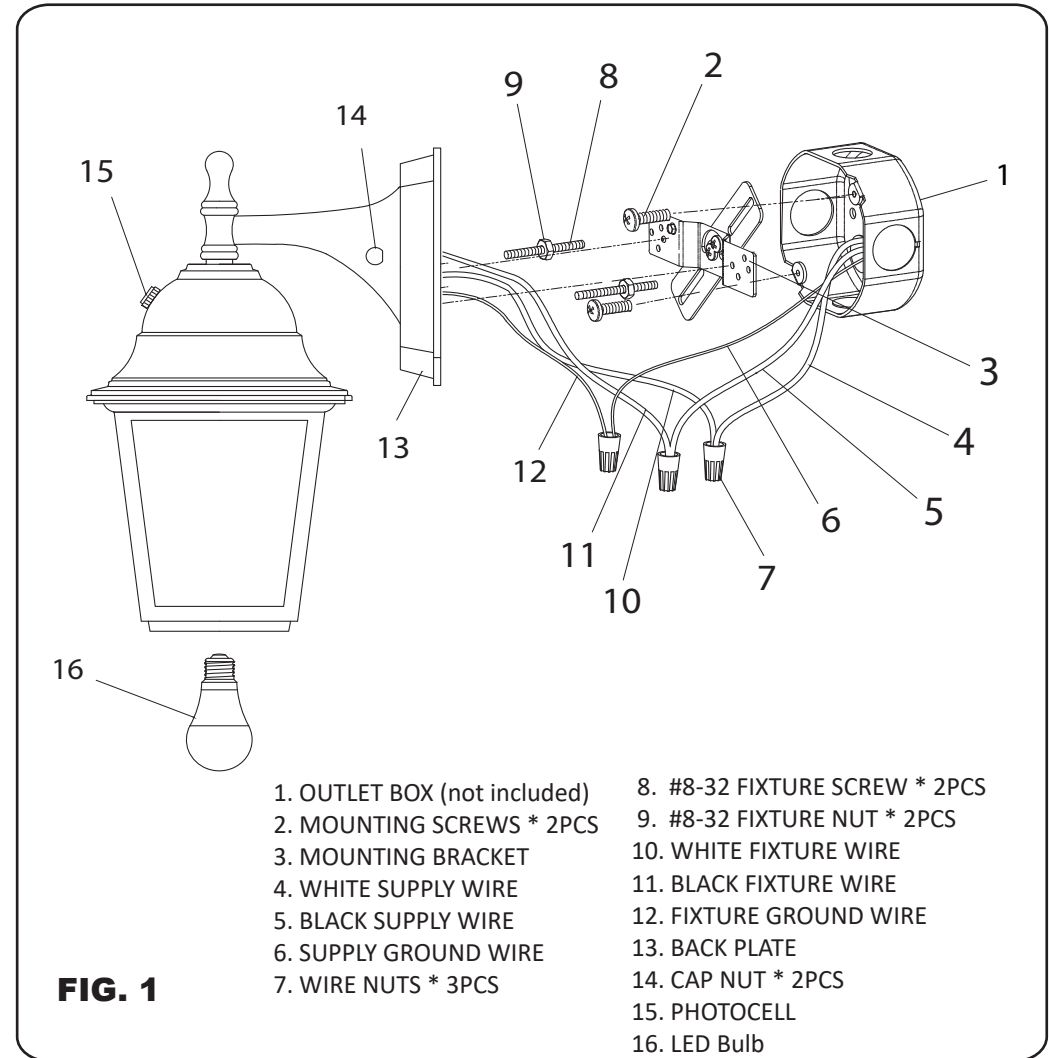
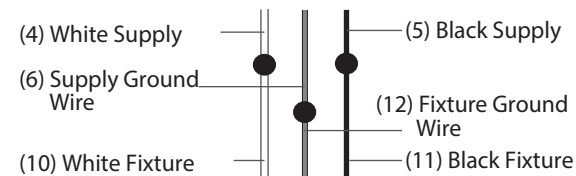


FIG. 1

- |                              |                               |
|------------------------------|-------------------------------|
| 1. OUTLET BOX (not included) | 8. #8-32 FIXTURE SCREW * 2PCS |
| 2. MOUNTING SCREWS * 2PCS    | 9. #8-32 FIXTURE NUT * 2PCS   |
| 3. MOUNTING BRACKET          | 10. WHITE FIXTURE WIRE        |
| 4. WHITE SUPPLY WIRE         | 11. BLACK FIXTURE WIRE        |
| 5. BLACK SUPPLY WIRE         | 12. FIXTURE GROUND WIRE       |
| 6. SUPPLY GROUND WIRE        | 13. BACK PLATE                |
| 7. WIRE NUTS * 3PCS          | 14. CAP NUT * 2PCS            |
|                              | 15. PHOTOCELL                 |
|                              | 16. LED Bulb                  |

#### WIRE CONNECTION FIG. 2



#### WARNING

- 
- To avoid possible fire or electrical shock, make certain no bare wire strands are exposed outside wire connectors.