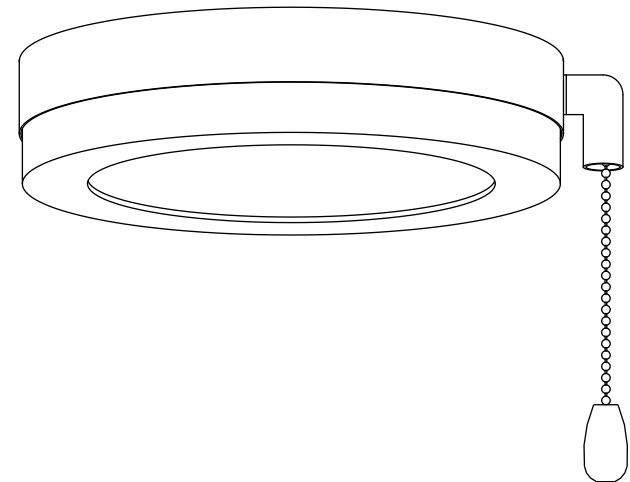


# LED Ceiling Fan Light Kit

Model: 1RP69



## READ AND FOLLOW SAFETY INSTRUCTIONS

**WARNING** : Turn off the main power at the circuit breaker before installing and servicing the fixture to prevent possible injury from electric shock.

### CAUTIONS-

1. All electrical connections must be in accordance with local and National Electrical Code (N.E.C.) Standards.
2. If you are unfamiliar with proper electrical wiring connections, obtain the services of a qualified electrician.
3. Use minimum 90° C supply conductors.
4. All parts must be used as indicated in these instructions. DO NOT substitute any parts, leave parts out or use any parts that damaged. Failure to follow instruction could invalidate safety listing and warranty of this fixture.
5. Carefully hold the fixture, do not apply pressure to the fixture body.

### PREPARATION

Unpack new fixture and remove all parts on a clean area.

Be sure not to lose any small parts and mounting screws necessary for installation.

### INSTALLATION & ASSEMBLY

#### STEP 1. ATTACHING LIGHT KIT TO FAN SWITCH HOUSING

Light kit can be installed in one of two ways.

Installation on fans with detachable switch housing (Fig.1) or fans with non-detachable switch housing.(Fig.2)

Remove the switch housing cap(6) or switch housing(1) by unscrewing three attachment screws(9).

Remove the plug button(13) from the center hole of cap.(Fig.2) Remove the plug button from detachable switch housing (Fig.1)

**NOTE:** Keep the plug button, shall you choose to remove the light kit fixture in the near future.

Install spring washer(8) and hex nut(7) onto the threaded nipple(12) from light kit to secure the switch housing cap(6) or switch housing(1).

**NOTE:** Be sure it is secured enough to prevent screws from vibrating loose.

#### STEP 2. MAKING WIRE CONNECTIONS

Locate two wires in switch housing, white and blue, labeled "For Light".

Connect blue wire from fan(3) to Black wire from Light kit(5), white wire from fan(10) to white wire from Light kit(11) using wire nuts(4).

After completing wires connection, carefully tuck wires back into fan switch housing.

Attach the switch housing cap(6) with light kit assembly to fan switch housing(1) with three attachment screws(9) removed from switch housing.

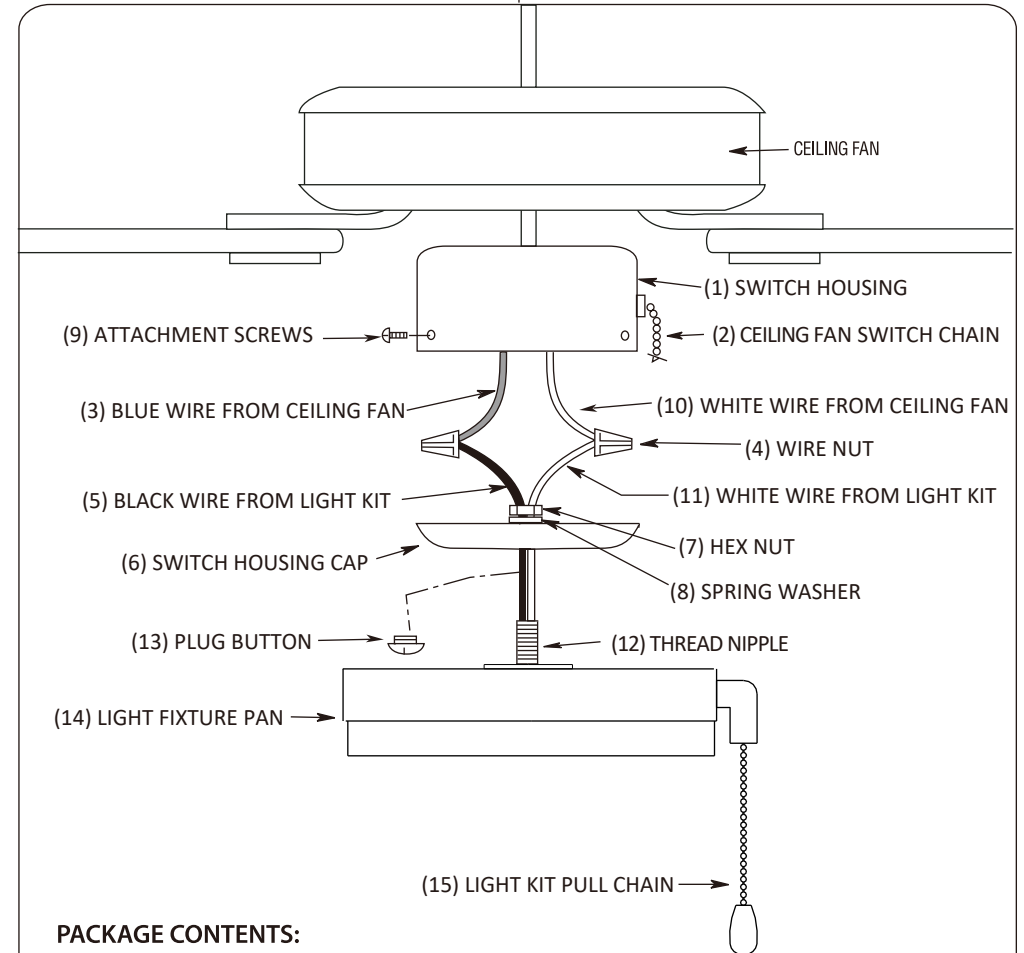
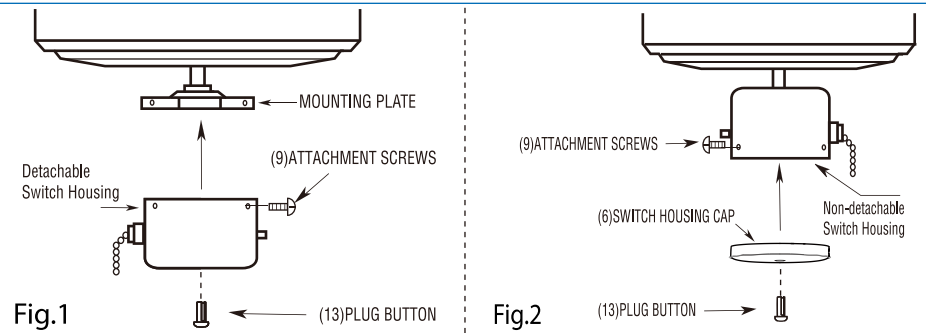
**WARNING:** Improper installation could cause the light fixture to fall, or result in electrical shock or personal injury.

#### STEP 3. INSTALLING WOOD TASSEL

Attach the wood tassel to light kit pull chain(15).

Installation is complete and you can restore power to ceiling fan and operate.

**Replacement** - This integrated LED fixture has no bulb to replace.



#### PACKAGE CONTENTS:

- (1x) Light Fixture
- (1x) Wood Tassel
- (2x) Wire Nut