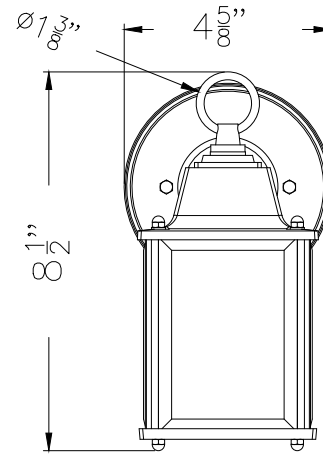


# 4407-E26

120V-60Hz

Catalog #:		Type
Project:		Date
Prepared by:		

## Outdoor Wall Mount Lantern



4407-E26 Outdoor Wall Lantern

### DESCRIPTION

The 4407 LED Outdoor Wall Mount Lantern is the ideal choice for outdoor applications for building-mounted doorway and pathway illumination. The E26 A19 LED included lamps allows for improved lamp life and energy savings.

### DESIGN FEATURES

#### Construction

- Aluminum construction with frosted glass lens

#### Certifications

- cETLus Listed for wet location
- CEC JA8 Compliant \*
- 1 Year Limited Warranty

#### Electrical

- 120V-60Hz
- Dimmable TRIAC, 10-100%
- 3000K | 90 CRI
- 1 x 9W E26 A19 LED lamp included | 800 lms
- Operating temperature: -4°F (-20°C) to 104°F (40°C)

#### Dimension

- 4-4/8" H x 6" W x 8-1/2" D

### ORDERING GUIDE

Example: 4407BK-E26

Model #	Finish	Lamp
4407		
4407	BK : Black	-E26 : 9W A19 LED Lamp Included

\* Included A19 LED lamp listed on CEC JA8 website as L9-A19DG-9W-30



Intertek

TEL: 800.937.6925 | Fax: 800.207.9509 | [www.rplighting.com](http://www.rplighting.com)

Specifications and dimensions subject to change without notice.

10/4/24 R1



LIGHTING · FANS