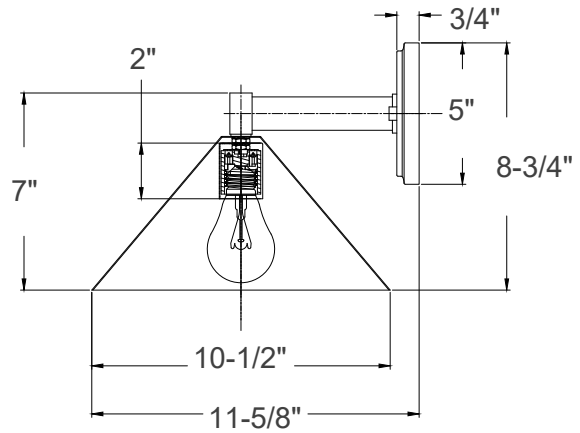


4408-E26

120V-60Hz

Catalog #:		Type
Project:		Date
Prepared by:		

Outdoor Cone Shaped Wall Mount



4408-E26 Outdoor Cone Wall Mount

DESCRIPTION

The 4408 LED Outdoor Cone Shaped Wall Mount is the ideal choice for outdoor applications for building-mounted doorway and pathway illumination. The E26 A19 LED included lamps allows for improved lamp life and energy savings.

DESIGN FEATURES

Construction

- Steel construction
- Inner cone: gold finish

Electrical

- 120V-60Hz
- Dimmable TRIAC, 10-100%
- 3000K | 90 CRI
- 1 x 9W E26 A19 LED lamp included | 800 lms
- Operating temperature: -4°F (-20°C) to 104°F (40°C)

Certifications

- cETLus Listed for wet location
- CEC JA8 Compliant *
- 1 Year Limited Warranty

Dimension

- 10-1/2" H x 11-5/8" W x 8-3/4" D

ORDERING GUIDE

Example: 4408BK-E26

Model #	Finish	Lamp
4408		
4408	BK : Black	-E26 : 9W A19 LED Lamp Included

* Included A19 LED lamp listed on CEC JA8 website as L9-A19DG-9W-30

TEL: 800.937.6925 | Fax: 800.207.9509 | www.rplighting.com

Specifications and dimensions subject to change without notice.



Intertek

10/4/24 R1



RP | LIGHTING · FANS