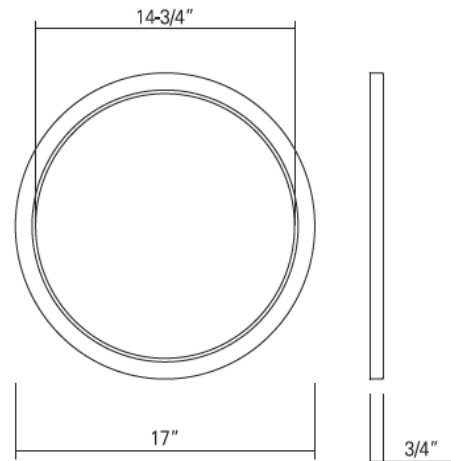
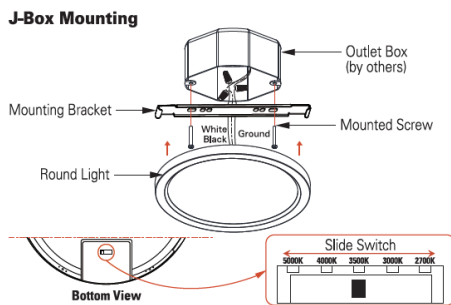


4352WH-17-5CCT

120V

Catalog #:		Type
Project:		Date
Prepared by:		

17" LED Round Slim Surface Light, 5 CCT Selectable



DESCRIPTION

The 4352xx-17-5CCT is a 17" slim-profile ceiling flush mount fixture offering selectable color temperatures for a wide variety of applications. Choose from warm 2700K, 3000K, 3500K, 4000K to white 5000K to meet all your needs for larger hallways and open spaces.

DESIGN FEATURES

Construction

- Durable steel back plate and heat sink
- Trim frame of thermoplastic
- Frosted polycarbonate lens for uniform distribution

Electrical

- Available in 120V
- Dimmable TRIAC and ELV, 10-100%
- 50,000 hour projected life
- 90 CRI | CCT Selectable: 27K, 3K, 35K, 4K, 5K
- 27K | 30.6W | 2606 (source) | 1849 (delivered)
- 3K | 30.9W | 2776 (source) | 1997 (delivered)
- 35K | 31.1W | 2940 (source) | 2108 (delivered)
- 4K | 30.7W | 2897 (source) | 2073 (delivered)
- 5K | 30.5W | 2821 (source) | 1987 (delivered)
- Slide CCT Selector Switch on back of unit

Certifications

- CSAus for damp locations
- Energy Star Listed
- CEC JA8 Compliant
- LED Source: 5 Year Limited Warranty
- Other Components: 1 Year Limited Warranty

ORDERING GUIDE

Example: 4352WH-17-5CCT

Model #	Finish	CRI	CCT
4352	WH	-17	-5CCT
4352	WH : White	-17 : 17"	-5CCT : 2700K, 3000K, 3500K, 4000K, 5000K

Installation

- Mounting bracket included for installation in 3" or 4" J-Box wall or ceiling applications



TEL: 800.937.6925 | Fax: 800.207.9509 | www.rplighting.com

Specifications and dimensions subject to change without notice.

9/14/22 R1



RP LIGHTING • FANS

4352 - 17" Round Surface Light, 5CCT Selectable