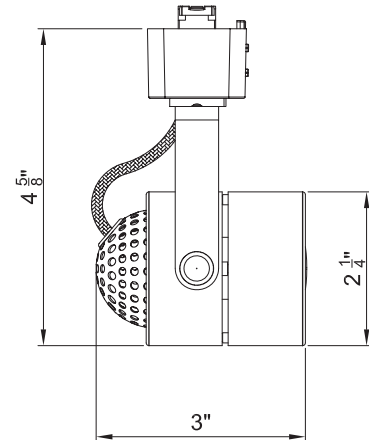


7551G-L

120V

Catalog #:		Type
Project:		Date
Prepared by:		

LED Mesh Roundback Track Head with Lamp



DESCRIPTION

Clean and cool, simple attractive aesthetics with functionality providing an abundance of light for your interior space. The mini confined heads and universal lamp holders provide compact, flexible lighting and is ideal for residential, retail and commercial applications.

DESIGN FEATURES

Construction

- Metal lamp housing and arm
- J-track Compatible
- Factory conversion to H-track Compatible is available

Electrical

- 120V - 60Hz AC
- Lamp included: GU10 *
 - 7W | 450 lms (delivered)
 - 3000K | 90 CRI
- Dimmable TRIAC or ELV, 15-100%
- 38° Beam Spread
- 15,000 Hour Project Life

Dimensions

- 4-5/8" H x 3" D x 2-1/4" W

Certifications

- Energy Star Listed
- UL Listed
- 1 year limited warranty

ORDERING GUIDE

Example: 7551GWH-L

Model #	Finish	Lamp
7551G		-L
7551G	BA : Brushed Aluminum WH : White	-L : lamp included

* Included GU10 LED lamp listed on Energy Star website as HTGUD0636



TEL: 800.937.6925 | Fax: 800.207.9509 | www.rplighting.com

Specifications and dimensions subject to change without notice.

5/2/22 R1



RP | LIGHTING · FANS