

Installation Instructions

8216-1FR-JB Downlight

IMPORTANT SAFETY INSTRUCTIONS

- Read all installation instructions before installing. It is important to save these instructions.
- Only install and connect LED module with power disconnected at the circuit breaker. Hot plugging, or connecting the module with power on, could damage the LEDs and is not covered by warranty.
- Observe and follow all label information and instructions regarding dry, damp and wet location listings, proper ROYAL LED module, warnings of installation near combustible materials and/or insulation.
- Be sure to connect ground wire to prevent electric shock or other potential hazards.
- The product must be installed in a manner consistent with the intended use and in compliance with the national electrical codes and local codes by a person familiar with the construction and operation of the product and the hazards involved.
- **WARNING: Use only ROYAL trims listed for use with this fixture. Use of trims other than those listed by ROYAL Lighting is a violation of N.E.C 110-3(B) and voids all warranties.**

⚠ WARNING

Risk of electrical shock. Disconnect power before servicing or installing luminaire.

⚠ WARNING

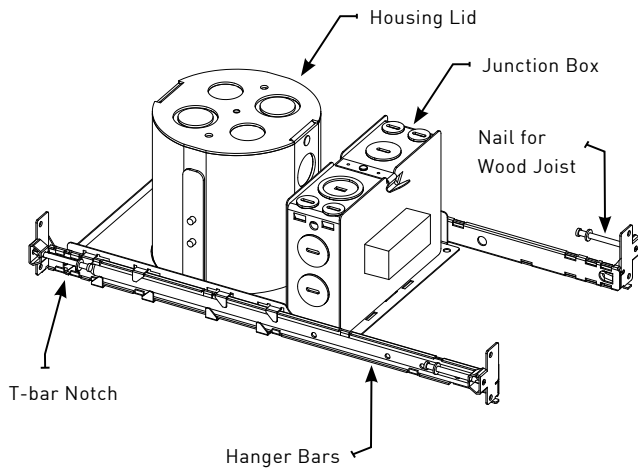
Risk of injury or damage. Luminaire will fail if not installed properly. Follow installation instructions.

⚠ WARNING

Risk of injury. Wear safety glasses and gloves during installation and servicing. Allow ample time to cool before handling.

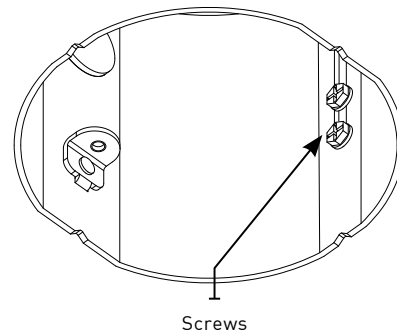
MOUNTING:

Mounting bracket with attached hanger bars secure to joist or grid using fasteners or wire. Install with notches facing down to engage T-Bar grid.



HOUSING HEIGHT ADJUSTMENT:

1. Mark center fixture position on the ceiling.
2. Scribe a 4-3/8" diameter circle on the ceiling and cut hole using proper cutting tool.
3. Loosen the four screws inside the housing and adjust vertical position of housing by moving housing up or down.
4. Once flush with ceiling, lock vertical positioning by tightening four screws

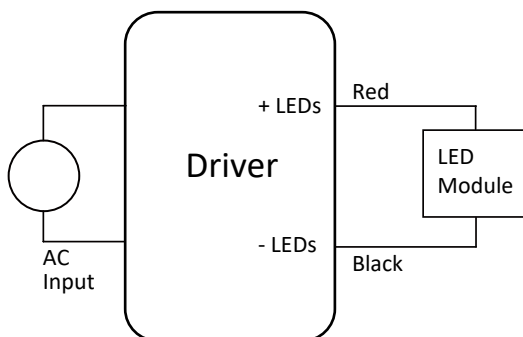


ELECTRICAL CONNECTIONS:

Using customer supplied 90°C minimum rated wire connectors, make the following electrical connections within the junction box

- a. Connect the black fixture lead to the voltage supply lead.
- b. Connect the white fixture lead to the neutral supply lead.
- c. Connect the green or green/yellow ground lead to the supply ground lead.

Wiring Diagram



MODULE INSTALLATION:

1. Plug the female connector of the housing onto the male connector of the trim module.
2. Push trim module through hole in housing until flush with ceiling. Spring clip tension can be adjusted by bending spring clip.
3. Attach ground wire to hole into top of the housing by screw.

