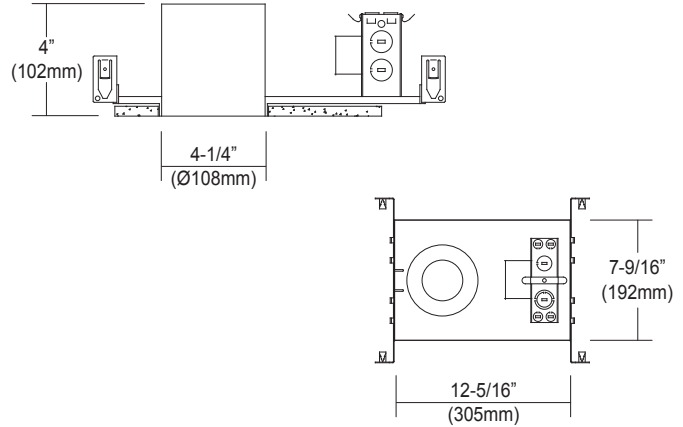


8216-1FR-JB

120V

Catalog #:		Type
Project:		Date
Prepared by:		

4" LED 2-Hour Fire Rated Airtight New Construction



DESCRIPTION

An ideal solution for efficiency, safety, and flexible design aesthetics. This new construction IC Airtight housing is 2-hour fire rated.

DESIGN FEATURES

Electrical

- 120V - 60 Hz
- TRIAC dimming down to 5%
- LED Trim - 50,000 projected life
- LED Driver - 10.3W; mounts externally to J-Box

Housing

- Fire-resistant galvanized steel housing
- Suitable for use in new construction
- IC Airtight Rated for direct contact with insulation
- 4" height allows use in 2" x 6" joist construction
- J-box is listed for through-branch circuit wiring (4in – 4out), with five 1/2" knockouts and four non-metallic cable knockouts with strain clamps
- 3-port quick connectors pre-installed in all J-boxes
- Heavy gauge captive bar hangers included for ceiling joist or suspended "T" construction
- Bar hangers are adjustable to 24" with 4 captive nails included
- Adjusts to fit up to 1-1/4" ceiling thickness

Trim

- Recess trim into housing using spring steel retention clips
- Electrical Quick Connect to housing is included


Certifications/Warranty

- cETLus listed for wet location with trim 8724
- 120 minute fire rating per ASTM E283
- IC and Airtight listed
- Housing & Other Components: 1 Year Limited Warranty
- LED Light Source: 5 Year Limited Warranty

HOUSING ORDERING GUIDE *Example: 8216-1FR-JB-EM*

Model #	EM Option
8216-1FR-JB	
8216-1FR-JB	-EM : Adds EM Option (blank) no EM option

TRIM ORDERING GUIDE *Example: 8724WH-90-3K*

Model #	WH	CRI	CCT
 8724	WH	-90	
8724 4" White Baffle 10.3W 905 lms	WH : White	-90 : 90 CRI	-3K : 3000K -4K : 4000K



TEL: 800.937.6925 | Fax: 800.207.9509 | www.rplighting.com

Specifications and dimensions subject to change without notice.

8/25/22



RP LIGHTING · FANS

8216-1FR-JB - 4" LED Fire Rated Airtight New Construction