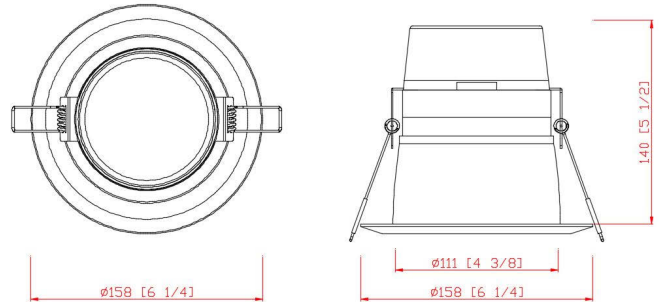


# 8042

120V-277V Universal Voltage

Catalog #:		Type
Project:		Date
Prepared by:		

## 4" Tunable Wattage and Selectable CCT Commercial Downlight



Ceiling Cut-out : 5"

### DESCRIPTION

The 8042 Tunable Wattage and Selectable CCT Commercial Downlight is a one-piece housing and trim designed for easy installation in a retrofit or new construction non-IC applications. The Open Reflector has a wide distribution from many open commercial spaces. Choose between 3 different wattages for lumen output and 5 different LED color temperatures for the look you want. A IC-rated New Construction Mounting Plate is also available for IC applications.

### DESIGN FEATURES

#### Construction

- Heavy gauge aluminum reflector allows heat dissipation
- Designed to replace most existing 4" to 5" aperture downlights
- Two integral tension spring clips included for installation with or without new construction mounting frame accessory

#### Electrical

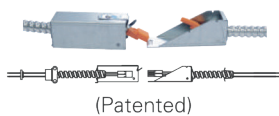
- 120-277V, 50/60 Hz, AC
- 0-10V Dimming
- 50,000 hours projected LED life
- Tunable Wattage:
- 10W | 900 lms nominal
- 15W | 1350 lms nominal
- 20W | 1800 lms nominal
- Selectable 5CCT: 27K, 3K, 35K, 4K, 5K
- 80 CRI
- Beam Angle: 65°

#### Reflector Finish

- Open Clear Haze Reflector with White Trim Ring

#### Installation

- Easy-quick metal connector case included allowing easy and sturdier wire connector



#### Emergency (-EM) Option

- RP Lighting 4786EM emergency battery factory installed
- Emergency Battery Output = 8W
- Emergency Lumen Output = 8W x Fixture L/W

#### Certifications

- cCSAus listed for damp location
- Energy Star Listed
- Non-IC rated downlight; IC rated mounting plate accessory available
- LED Light Engine: 5 Year Limited Warranty
- Other Components: 1 Year Limited Warranty

### ORDERING GUIDE

Example: 8042-3TW-5CCT-EM

Model #	Wattage	CCT	EM Option
8042	-3TW	-5CCT	
8042	-3TW : Tunable Wattage 10W, 15W, 20W	-5CCT : Selectable CCT 27K, 3K, 35K, 4K, 5K	blank : no EM option -EM : EM Battery Backup
Accessories		(sold separately)	
8164H	4" Non-IC New Construction Mounting Plate		
8164HIC	4" IC New Construction Mounting Plate		

TEL: 800.937.6925 | Fax: 800.207.9509 | [www.rplighting.com](http://www.rplighting.com)

Specifications and dimensions subject to change without notice.

3/29/23 R2



LED Light Engine

Other Components



RP LIGHTING · FANS

# 8042

120V-277V Universal Voltage

## New Construction Mounting Plate

### New Construction Mounting Plate Accessory

(sold separately)

- New construction installations use mounting plate 8164H and 8164HIC
- Heavy gauge bar hangers that include captive nails allow for the housing to be secured to ceilings joist or suspended "T" bar construction are included.
- Must remove reflector spring clips for installation into Mounting Plates

