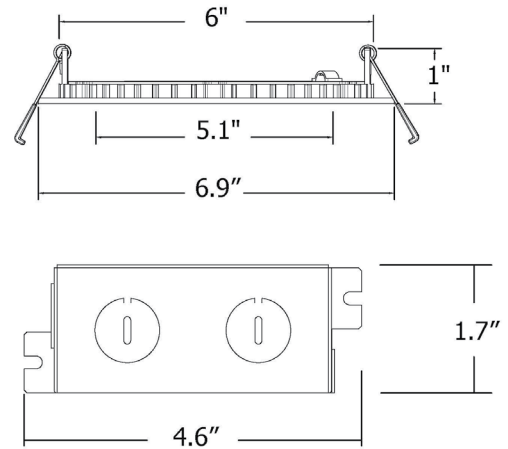


# 8542-2

120V

Catalog #:		Type
Project:		Date
Prepared by:		

## 6" LED Ultra-Thin Downlight



### DESCRIPTION

A versatile LED down light solution with edge-lit technology and an off-board driver allow for an ultra slim profile and flexible mounting options. Installation is a snap with the plenum-rated driver box and linkable connector cable — there is no need for a j-box or recessed housing when used for retrofit. The simple spring-loaded retention tabs securely hold each downlight snug to the ceiling.

### DESIGN FEATURES

#### Construction

- Ultra-thin profile
- Durable aluminum construction
- Frosted acrylic lens diffuses glare and maximizes output

#### Electrical

- 120V-60Hz, AC
- Dimmable Triac or ELV, 10-100%
- 50,000 hour projected life
- 120° Beam Angle
- 14W | 884 lms
- 90 CRI | 3000K or 4000K

#### Installation

- Spring-loaded retention tabs hold downlight snug to ceiling surface, off-board driver/ junction box, poke-in connectors, and linkable connector cable
- IC Rated for direct contact with batt type fiberglass insulation

#### EM Option

- RP Lighting 4782EM emergency battery pack factory installed
  - Emergency Battery Output = 9W
  - Emergency Lumen Output = 9W x Fixture L/W

#### Certifications

- cETLus listed for wet location
- Energy Star Listed
- CEC JA8 Compliant
- IC Rated | Air Tight Rated
- LED Light Source: 5 Year Limited Warranty
- Other Components: 1 Year Limited Warranty

### ORDERING GUIDE Example: 8542-2WH-90-3K

Model #	Finish	CRI	CCT	EM
8542-2	WH	-90		
8542-2	WH : White	-90 : 90 CRI	-3K : 3000K -4K : 4000K	: Blank (no EM) -EM : adds -EM option
<b>Accessories</b>				
PF-6	: Mounting Plate (see page 2 for details)			
8742PR	: Plastic Trim Ring (see page 2 for details)			



LED Light Source      Other Components

TEL: 800.937.6925 | Fax: 800.207.9509 | [www.rplighting.com](http://www.rplighting.com)

Specifications and dimensions subject to change without notice.

11/18/24 R8



RP LIGHTING · FANS

8542-2 - 6" LED Ultra-Thin Downlight

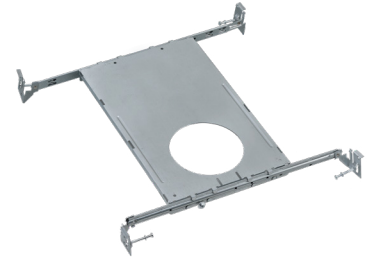
# 8542-2

120V

## Available Accessory Information

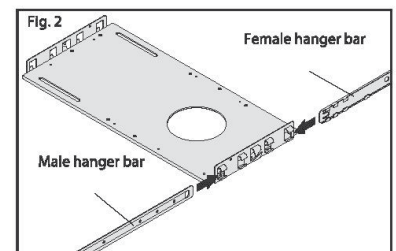
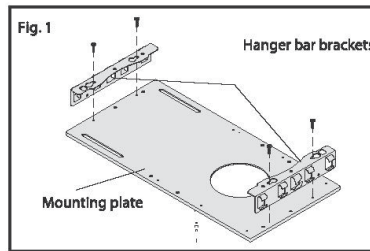
### Accessory Mounting Plate Assembly

- **PF-6**
- Includes four 12" bar hanger to allow for easy adjustment and easy installation
- Durable aluminum construction
- Perfect for installing recessed lighting into new construction



### New Construction Mounting Plate Assembly:

1. Align hanger bar brackets with mounting holes on the new construction mounting plate and secure in place with mounting screws (Fig. 1).  
*NOTE:* Hanger bars can be installed on long or short side of the new construction mounting plate.
2. Insert both female and male parts of the hanger bars into the bracket from opposite ends (Fig. 2). Make sure that the male part is inserted within the female part and that the end tab is facing downwards.



### Accessory Goof Ring

- **8542PR:** Plastic trim ring
- 8-3/8" OD x 6-11/16" ID x 3/4" W

