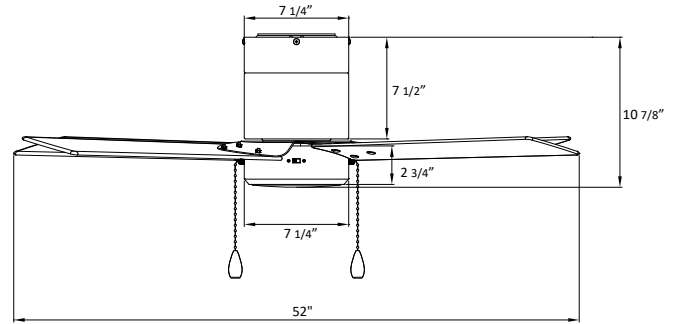


1024-ES

120V

Catalog #:		Type
Project:		Date
Prepared by:		

Metalis 4-Blade, 52" Sweep Hugger, Energy Star, Integrated LED Light Kit Included



DESCRIPTION

The clean lines and modern design of the Metalis Energy Star Series adds style to any complementary space. The efficient integrated LED light kit provides ample illumination and energy savings over traditional sources.

DESIGN FEATURES

Motor

- 4-Speed | Reversible
- AC Motor | 154 x 15 mm motor | 3 capacitors
- RPM: High: 177 Low: 81
- High: CFM: 4486 | Watts: 56.79 | Efficiency: 79
- Low: CFM: 1997 | Low: 13.28
- 76" Lead Wire

Blades

- 4-Blade, 52" sweep
- Blade Construction: MDF¹
- 12° blade pitch

Light Kit

- Integrated light kit included
- 15.5W | 1240 lms (source) | 789 lms (delivered)
- 3000K | 80 CRI | Dimmable Triac or ELV, 10-100%
- Shade: Glass
- Replacement glass: 1021G

Dimensions

10-7/8"	7-1/4"	7-1/2"
Height (lowest point)	Width (housing)	Height (top of blade)

¹To avoid fan blade warping, fan must be installed in climate controlled environment

Controls:

- Pull Chain Standard
- Optional Remote Control (sold separately) RC-10
- Optional Wall Control (sold separately) WC-4, WC-8, WC-13 and WC-16

Certifications

- UL Listed for dry location
- Energy Star Listed
- Fan Motor: Limited Lifetime Warranty
- LED Light Source: 5 Year Limited Warranty
- Non-Electrical: 1 Year Limited Warranty

ORDERING GUIDE

Example: 1024BN-WT-ES

Model	Motor / Blade Finish	Energy Star
1024		-ES
1024	BN-BN : Brushed Nickel / Brushed Nickel BN-WT : Brushed Nickel / Walnut OB-WT : Oil Rubbed Bronze / Walnut MBK-MBK : Matte Black / Matte Black WW-WW : White / White	-ES : Energy Star Listed



Fan Motor LED Light Non-Electrical Source

TEL: 800.937.6925 | Fax: 800.207.9509 | www.rplighting.com

Specifications and dimensions subject to change without notice.

3/22/24 R5



RP LIGHTING · FANS

1024-ES - 4-Blade, 52" Sweep Hugger