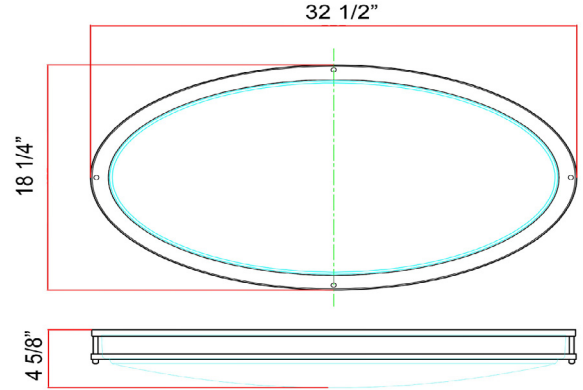


4345-2-30

120V

Flush Oval Ceiling Mount

Catalog #:		Type
Project:		Date
Prepared by:		



Oil Rubbed Bronze (OB)

DESCRIPTION

The 4345-2-30 flush oval ceiling mount LED fixture is a stylish energy efficient addition to many residential and hospitality applications.

DESIGN FEATURES

Construction

- Durable steel frame
- Acrylic Diffuser

Electrical

- 120V - 60Hz; AC
- Dimmable TRIAC or ELV, 10-100%
- 50,000 hours project life
- 35W | 4200 lms (source) | 3011 lms (delivered)
- 3000K | 80 CRI
- Beam angle: 120°

Lens Replacement

- 4345L

Dimensions

- 32" x 18" x 4"

Certifications

- cETLus Listed for damp location
- LED Light Source: 5 Year Limited Warranty
- Other Components: 1 Year Limited Warranty

ORDERING GUIDE

Example: 4345-2-30-BN

Model #	Finish
4345-2-30	
4345-2-30	-BN : Brushed Nickel

