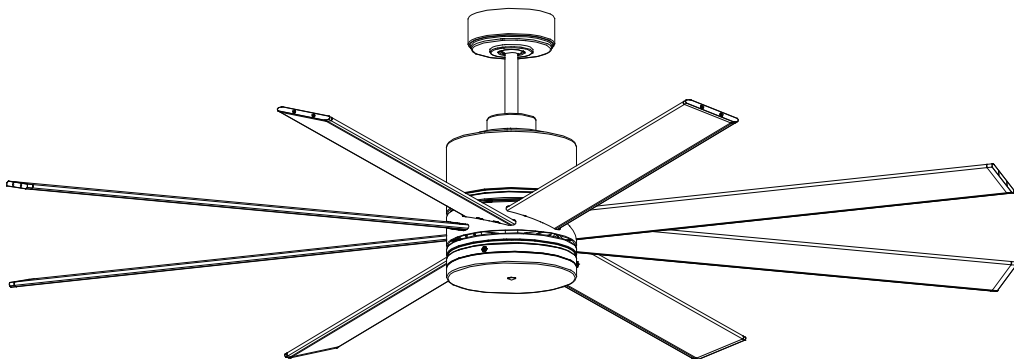


# Ceiling Fan

# INSTALLATION MANUAL

READ AND SAVE THESE INSTRUCTIONS



**Model: 1086W**



fan net weight: 13.9 kgs(30.58 lbs)

# TABLE OF CONTENTS

	Pages
IMPORTANT SAFETY INFORMATION .....	1
TOOLS REQUIRED / UNPACKING FAN .....	2
MOUNTING OPTIONS .....	3
INSTALLING MOUNTING BRACKET .....	4
DOWNROD ASSEMBLY .....	5
HANGING THE FAN MOTOR ASSEMBLY .....	6
WIRING THE FAN & WALL CONTROL .....	7
CANOPY ASSEMBLY .....	8
BLADES INSTALLATION .....	8
ATTACHING SWITCH HOUSING & CAP .....	9
INSTALLING LIGHT KIT(optional) .....	9
OPERATING YOUR FAN .....	10
OPERATING INSTRUCTIONS .....	10
TROUBLESHOOTING .....	11
INSTALLING WALL CONTROL .....	12

# IMPORTANT SAFETY INFORMATION

## READ AND SAVE THESE INSTRUCTIONS.

1. Read all instructions and safety information carefully before installing your fan and save this manual.
2. All electrical connections must be in accordance with the National Electrical Code ANSI/NFPA70 and local electrical code. If you are unfamiliar with wiring or are in doubt, consult a qualified electrician.
3. To reduce the risk of electric shock, turn the electricity off at main fuse box or circuit breaker before beginning fan installation or servicing the fan. Do not operate fan without blades.
4. To reduce the risk of injury to person, make sure a location selected for the fan allows clear space for blades to rotate, and at least seven(7) feet(2.1 Meters) of clearance between the floor and the fan blade tips.

**CAUTION:** To avoid personal injury, the use of gloves may be necessary while handling fan parts with sharp edges.

**WARNING:** To reduce the risk of fire, electric shock or personal injury, mount the fan to **outlet box marked ACCEPTABLE FOR SUPPORT of at least 15.9 kgs(35 lbs)**, and use mounting screws provided with the outlet box. Most outlet boxes commonly used for the support of luminaries and not acceptable for fan support and may need to be replaced. Consult a qualified electrician if in doubt.

5. To reduce the risk of personal injury, use only approved hanging bracket, those parts and screws supplied with the fan or accessories designated specifically for use with the fan.

**WARNING:** Using parts and or accessories other than those supplied with the fan could result in personal injury or property damage and will void the warranty.

6. After completing installation, check all set screws and make sure they are firmly secured.
7. Electrical diagrams are for reference only. Light kit are not packed with the fan must be UL or ETL listed for use in outdoor locations, and marked suitable for use with the fan you are installing.
8. Choose fan and light switches must be UL or ETL general use. Refer to the instructions packaged with the light kits and switches for proper assembly and installations.
9. Do not operate reversing switch while fan blades are in motion. Fan must be turned off and blades stopped before reversing blade direction.
10. Do not use water or detergents when cleaning the fan or fan blades. A dry cloth or lightly dampened cloth will be suitable for most cleaning.
11. The fan is suitable for use in Wet Locations when installed in a GFCI protected branch circuit.

**WARNING:** To reduce the risk of personal injury, do not insert foreign objects in between rotating fan blades.

**WARNING:** To reduce the risk of electric shock, disconnect the electricity supply circuit to the fan before installing light kit.

## TOOLS REQUIRED

Ladder      Wire Strippers  
Pliers      Phillips Screwdriver

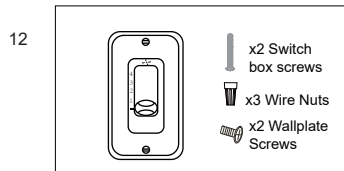
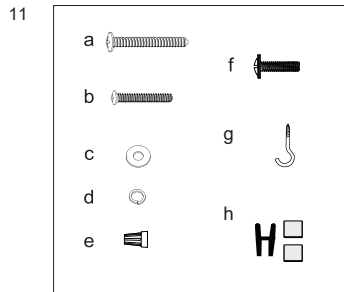
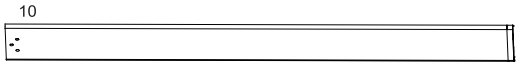
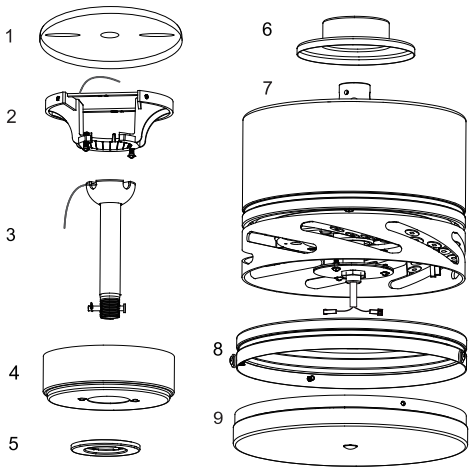


## UNPACKING FAN

Carefully open the packaging. Remove items from Styrofoam inserts. Remove motor housing and place on clean floor or Styrofoam to avoid damage to finish.

Do not discard fan carton or Styrofoam inserts should this fan will need to be returned for repairs. Check against parts list that all parts have been included.

## PACKAGE CONTENTS



11 Hardware bag included:

#	Parts	Quantity
1	Silicone pad	1
2	Mounting bracket	1
3	Downrod ball assembly	1
4	Ceiling canopy	1
5	Canopy cover	1
6	Coupling cover	1
7	Fan motor assembly	1
8	Switch housing	1
9	Switch housing cap	1
10	Fan blade	8
12	Wall Control	1 set

#	Parts	Quantity
a	Wood screws	2
b	Mounting bracket screws	2
c	Flat washers	2
d	Spring washers	2
e	Wire nuts	4
f	Blade holder screws (1 extra)	25
g	Security J-hook	1
h	Balance kit	1 set

## MOUNTING OPTIONS

If there isn't an existing UL listed mounting box, then read the following instructions. Disconnect the power by removing fuses or turning off circuit breakers.

Secure the outlet box directly to the building structure. Use appropriate fasteners and building materials. The outlet box and its support must be able to fully support the moving weight of the fan (at least 70 lbs). Do not use plastic outlet boxes.

Figures 1 and 2 are examples of different ways to mount the outlet box.

To hang your fan where there is an existing fixture but no ceiling joist, you may need ceiling fan outlet box and support brace as shown in Figure 3.

### WARNING

The fan should not be installed unless the structure on which the fan is to be mounted is of sound construction, undamaged, and capable of supporting the loads of the fan and its method of mounting. A structural engineer should verify that the structure is adequate prior to fan installation. Verifying the stability of the mounting structure is the sole responsibility of the customer and/or end user, and we hereby expressly disclaims any liability arising therefrom.

Fig.1

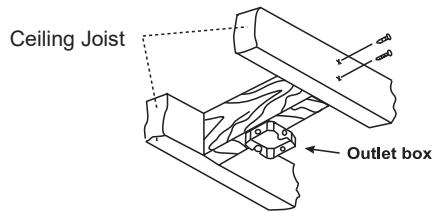


Fig.2

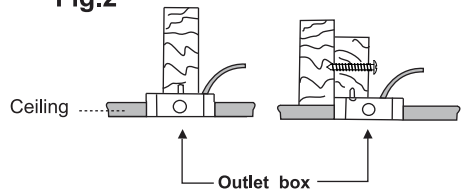
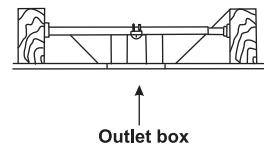
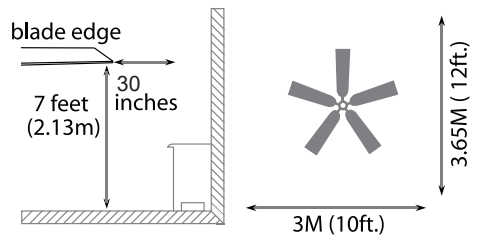


Fig.3



## Installation Preparation

To prevent personal injury and damage, ensure that the hanging location allows the blades a clearance of 7 feet (2.13m) from the floor and **30in (76cm)** from any wall or obstruction. This fan is suitable for room sizes up to 100~150 square feet.



## INSTALLING MOUNTING BRACKET

Turn off circuit breaker and wall switch to fan supply line leads.

**WARNING:** Failure to disconnect the power supply prior to installation may result in serious injury.

To reduce the risk of electric shock, the fan must be installed with an isolating wall switch.

Prior to attaching the mounting bracket, screw the security J hook into ceiling outlet box as a secondary support.

Two options for installation, choose which one works for your location.

Remove an existing bracket prior to installation.

Only use the provided mounting bracket that came in your fan's box.

### OPTION A:

Use outlet box screws provided with the outlet box or the mounting bracket screws provided with fan and washers included when securing the mounting bracket to the fan-rated metal outlet box.

Make sure it is securely installed and acceptable for fan support of 70 lbs(31.8kgs)

**NOTE:** Do not mount directly to sheet or ceiling tiles.

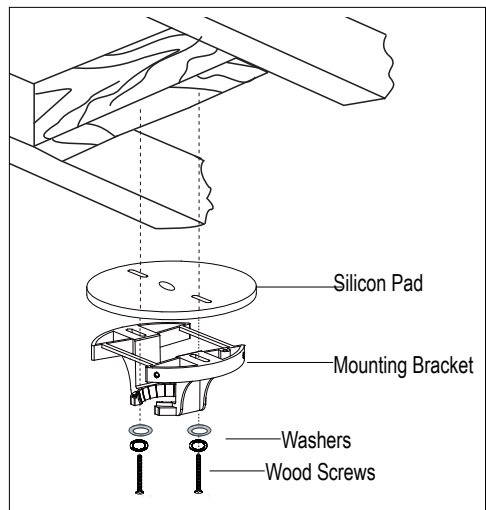
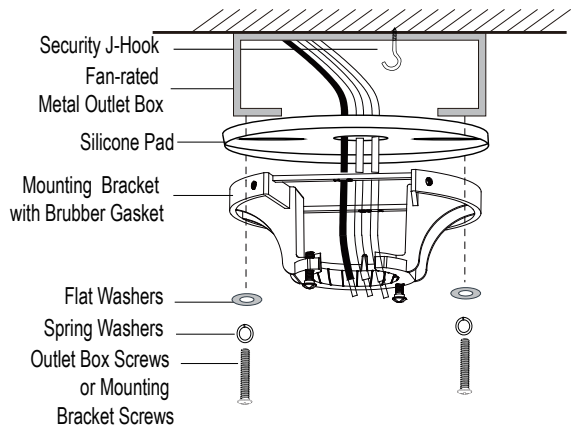
### OPTION B:

Use wood screws and washers included when securing the mounting bracket to supporting system with fan-rated outlet box.

Drill 9/64" pilot holes in support structure to aid in securing ceiling bracket with hardware.

Ensure at least **30mm** of the wood screw is threaded into the support.

The security J-hook must be installed into the house structure beam on the ceiling.



## DOWNROD ASSEMBLY

Loosen the ground screw on downrod ball and set screw to free the lock pin. Remove the ground screw, green ground wire and downrod ball from downrod and set them aside for later use.

Insert the downrod through the canopy cover, canopy screw cover and coupling yoke cover. Route ceiling fan wires & safety cable through downrod. Thread downrod into the coupling yoke until holes for downrod cross bolt align with holes in coupling yoke. **NOTE: Make sure wires do not get twisted.**

Insert cross bolt through coupling yoke and downrod secure by using lock clip.

Tighten two(2) security screws.

**NOTE:** If a longer downrod is being used, transfer the downrod ball, insert a lock pin, and tighten the set screws and ground screw securely.

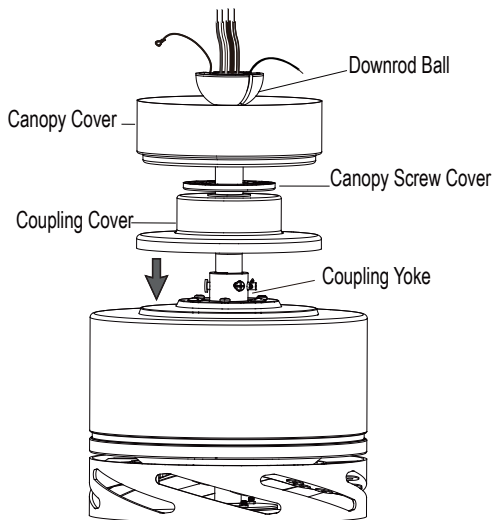
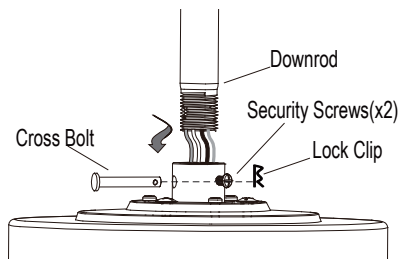
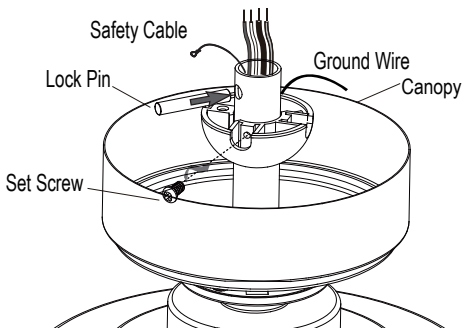
Replace the downrod ball, insert the lock pin through downrod and tighten set screw against downrod, tighten ground wire by using ground screw.

**WARNING:** Failure to tighten set screw on downrod ball completely could result in fan becoming loose and possibly falling.

Depending on the length of downrod you use, you need to cut the lead wires back to simplify the wiring. If you decide to cut back the lead wires, take the lead wires and make sure you have pulled them all the way through the top of the downrod.

Measure the proper length of lead wire, then cut the excess wire off with a wire cutter.

Strip 1/2" of insulation from the end of the wire. Twist the stripped ends of each strand of wire within the insulation with pliers. Repeat this process for other wires.



## HANGING THE FAN MOTOR ASSEMBLY

Carefully lift the fan motor assembly onto the mounting bracket that was attached to the outlet box.

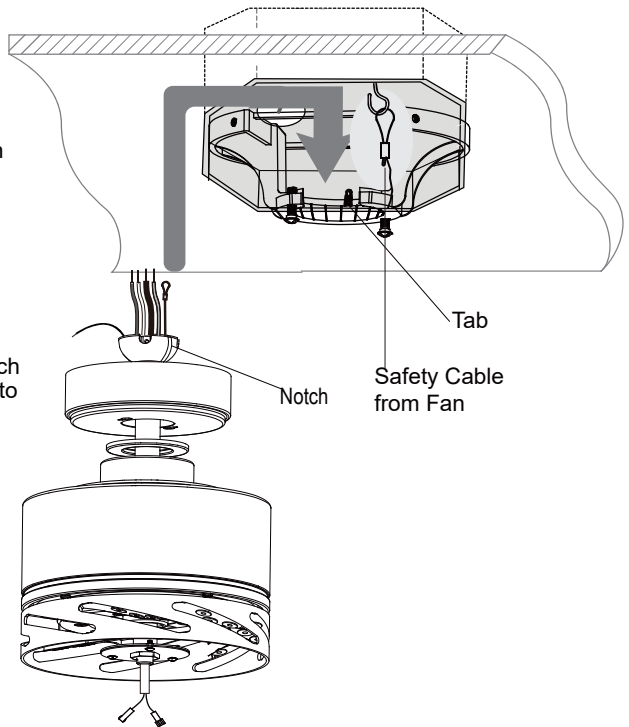
For added security, attach the safety cable from the fan to the security hook in outlet box, tighten the safety cable. Make sure that when the safety cable is fully extended the lead wires are longer than the cable and no stress is placed on the lead wires.

Turn the entire motor assembly until the check tab dropped into the notch of the downrod ball and seats firmly.

**NOTE:** The entire fan motor assembly should not rotate when seated properly.

**WARNING:** Failure to seat tab in the notch of the hanging ball could cause damage to electrical wire and possible shock or fire hazard.

**WARNING:** To avoid possible shock, do not pinch wires between the downrod/hanging ball assembly.





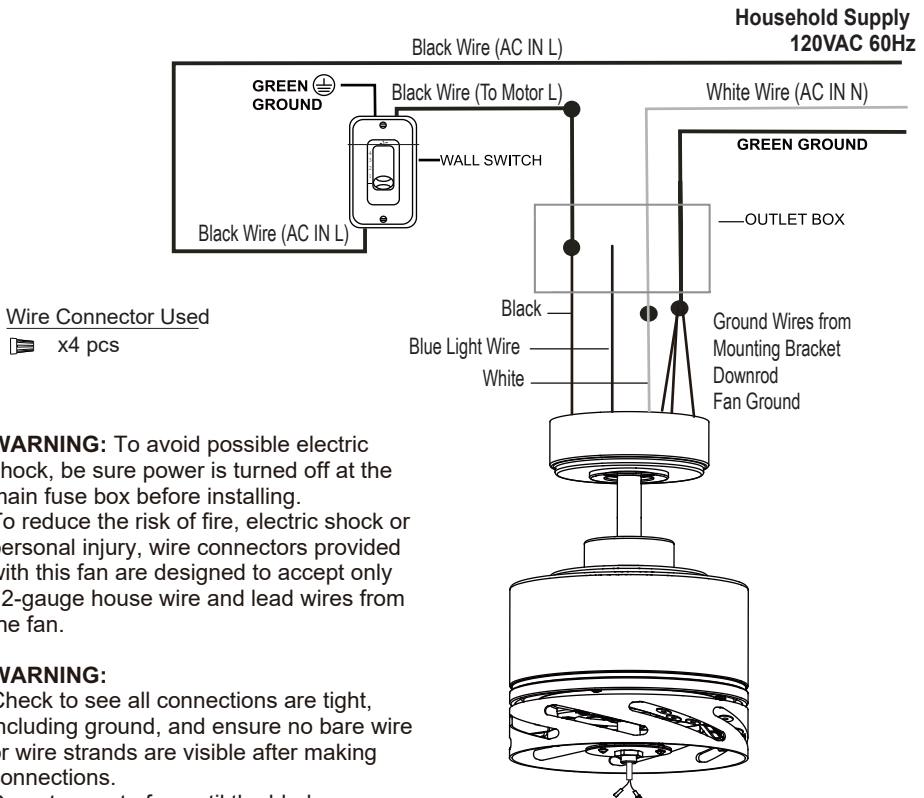
## WIRING THE FAN and WALL CONTROL

Connect household supply and fan lead wires according to the diagram and following steps. Make sure to use wire nuts provided with this fan to secure all wiring connections.

- Connect the Green ground wire from the motor, mounting bracket and hanging ball to the Bare/Green ground wire from outlet box.
- Connect the White wire from the fan to the White supply wire.
- Connect the Black wire(AC IN L) from wall control to the Black supply wire.
- Connect the Black wire(TO MOTOR L) from wall control to the Black wire from fan.
- Connect the Blue wire from the fan to light controller(not included) when the fan installed light kit. If not, cap the blue wire with a wire nut.

Wrap each wire connection separately with electrical tape for extra secure connection.

After making wire connections, turn the leads upward and gently push the wires into the outlet box. Place the Blue and Black wire connections on one side of the outlet box, and the White and Green wire connections on the other side.

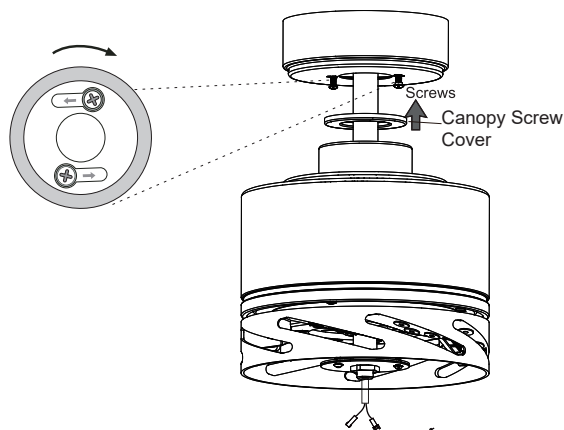


Installation of wall control, refer to the instructions on page 12.

## CANOPY ASSEMBLY

Locate two(2) screws on the underside of the mounting bracket.

Attach canopy cover to the mounting bracket by placing screws into the keyhole slots. Rotate the canopy so that screws slide into the narrow ends of the slots. Tighten the screws firmly. Attach the canopy screw cover over the canopy screws in the mounting bracket.

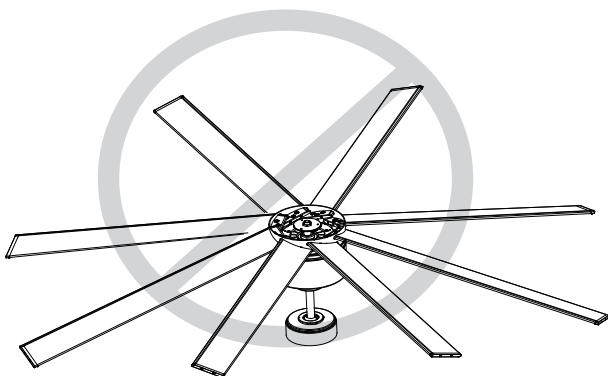
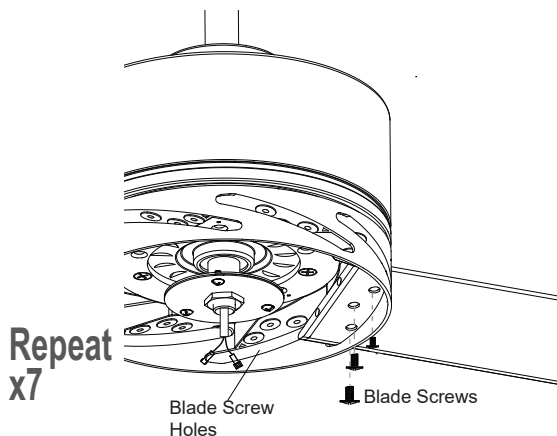


## BLADES INSTALLATION

Insert blade through slot in the side of the motor assembly.

Align the holes of one blade with three blade screw holes in underside of the motor assembly. Secure blade with three(3) blade screws.

Repeat this process for the remaining blades.



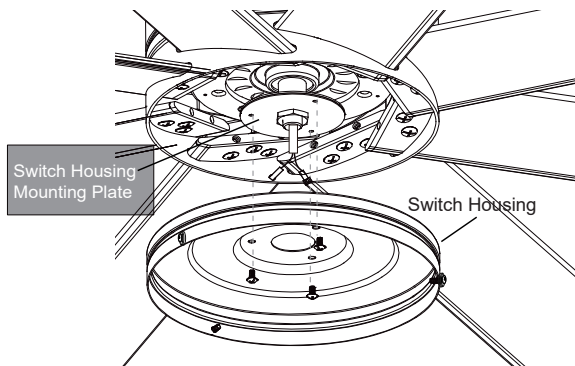
### WARNING:

Do not place ceiling fan with blades installed on the ground.  
To reduce the risk of personal injury, do not bend the blade during assembly or after installation.  
Do not insert foreign objects in between the rotating blades.

## ATTACHING SWITCH HOUSING & CAP

Remove three(3) screws from the switch housing mounting plate.  
Attach the switch housing to the mounting plate using these 3 screws.

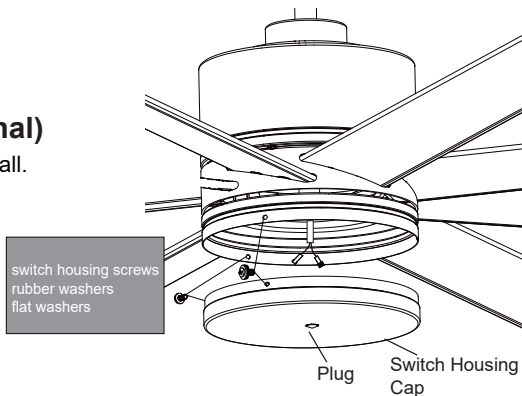
Loose 3 screws, rubber washers and flat washers in the side of the switch housing cap, and secure the cap to switch housing with these screws, rubber washers and flat washers.



## INSTALLING LIGHT KIT(optional)

Only choose a wet-rated fan light kit to install.

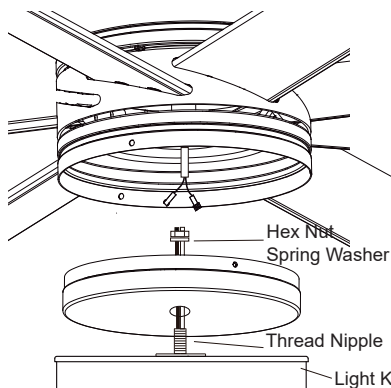
Remove the center plug from the switchhousing cap.  
Attach the light kit to the cap with hex nut and washers provided with the light kit.  
Connect the light kit wires to the fan wires using connectors.



Light kit Black wire(L) to Blue wire from the fan.

Light kit White wire(N) to White wire from the fan.

Secure the switch housing cap back to switch housing using 3 screws, rubber washers and washers previously removed and tighten firmly.



## OPERATING YOUR FAN

A slide reverse switch located on the top of the motor assembly which is covered by a coupling cover, controls the direction of blade rotation.

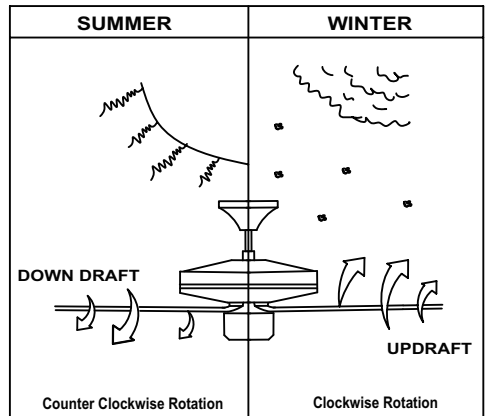
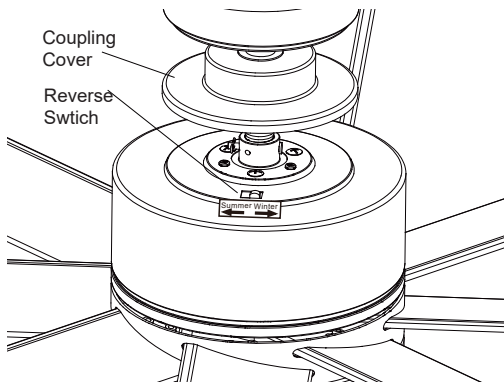
**SUMMER MODE:** The reverse switch shall be in the left(SUMMER) position to make the fan rotate in an anticlockwise direction. The airflow will be directed downward for cooling in summer.

**WINTER MODE:** The reverse switch shall be in the right(WINTER) position to make the fan rotate in a clockwise direction. The airflow will be directed upwards assisting in the circulation of warm air, for energy conservation in winter.

### IMPORTANT:

The reverse switch must be set either completely left or right for the fan to function correctly. If the reverse switch is set in the middle position, the fan will not operate.

**WARNING:** Do not operate reversing switch while fan blades are in motion. Fan must be turned off and blades stopped before reversing the blade direction.



Installation is complete.

Restore the power supply to the fan, and check operation of your ceiling fan.

### OPERATING INSTRUCTIONS:

The wall control has 4 positions to control the fan speed.

“-” position- turns fan off

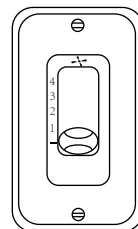
“1” position- turns fan at the highest speed

“2” position- turns fan at high speed

“3” position- turns fan at medium speed

“4” position- turns fan at lowest speed

**NOTE:** Even if the fan is mounted with a minimum of 7ft clearance from the trailing edge of the blades to the floor, be careful to avoid raising your arms or any object in the path of the blades.



## TROUBLESHOOTING

**WARNING:** Failure to disconnect power supply prior to troubleshooting any wiring issues may result in serious injury.

Problem	Solutions
Fan will not start.	<ul style="list-style-type: none"><li>- Check circuit fuses or breakers.</li><li>- Check line wire connections to the fan and switch wire connections in the switch housing.</li></ul>
Fan sounds noisy.	<ul style="list-style-type: none"><li>- Make sure all motor housing screws are snug.</li><li>- Make sure the screws that attach the fan blade bracket to the motor hub are tight.</li><li>- Make sure wire nut connections are not rubbing against each other or the interior wall of the switch housing.</li><li>- Allow a 24-hour "breaking-in" period. Most noise associated with a new fan disappear during this time.</li><li>- If using an optional light kit, make sure the screws securing the glassware are tight. Check that light bulb is also secure.</li><li>- Some fan motors are sensitive to signals from solid-state variable speed controls. If you have installed this type of control, choose and install another type of control.</li><li>- Make sure the upper canopy is a short distance from the ceiling. It should not touch the ceiling.</li></ul>
Fan wobbles	<ul style="list-style-type: none"><li>- Check that all blade and blade arm screws are secure.</li><li>- Most fan wobbling problems are caused when blade levels are unequal. Check this level by selecting a point on the ceiling above the tip of one of the blades. Measure this distance. Rotate the fan until the next blade is positioned for measurement. Repeat for each blade. The distance deviation should be equal within 1/8".</li><li>- Use the enclosed Blade Balancing Kit if the blade wobble is still noticeable.</li><li>- If the blade wobble is still noticeable, interchanging two adjacent (side by side) blades can redistribute the weight and possibly result in smoother operation.</li></ul>

## CARE OF YOUR FAN

Here are some suggestions to help you maintain your fan.

1. Because of the fan's natural movement, some connections may become loose. Check the support connections, brackets, and blade attachments twice a year. Make sure they are secure. (It is not necessary to remove fan from ceiling.)
2. Clean your fan periodically to help maintain its new appearance over the years. Use only a soft brush or lint-free cloth to avoid scratching the finish. The plating is sealed with a lacquer to minimize discoloration or tarnishing. Do not use water when cleaning. This could damage the motor, or the wood, or possibly cause an electrical shock.
3. You can apply a light coat of furniture polish to the wood blades for additional protection and enhanced beauty. Cover small scratches with a light application of shoe polish.
4. There is no need to oil your fan. The motor has permanently lubricated bearings.

## INSTALLING WALL CONTROL

Turn off the power

Ensure the power is off at the outlet box and wall switch location before proceeding with installation.

**WARNING:** To avoid the risk of fire and personal injury, read and follow all instructions thoroughly by referring to the installation instructions included with the wall control before installing the ceiling fan control.

**NOTE:** The wall control included with the ceiling fan is designed to control fan speed and operate only one fan. A wall control for light is required to be installed separately when the fan is installed with a light kit.

All wiring must conform to NEC, obtain service from a licensed electrician if you are unfamiliar with installing electrical wiring.

1. Making wire connections using wire nuts provided with the wall control. Make sure the switch is in the OFF("O") position.

Connect the black wire( TO MOTOR L) to the black wire from fan.

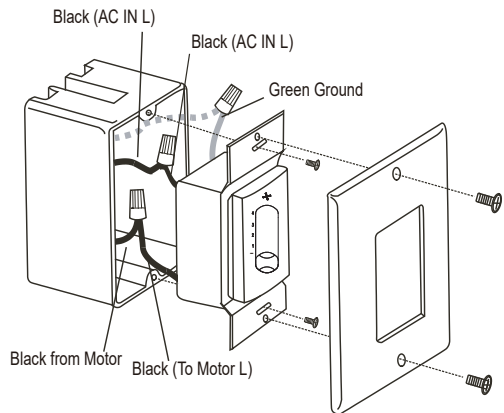
Connect the black wire(TO AC IN L) to the black wire from household supply black wire(L).

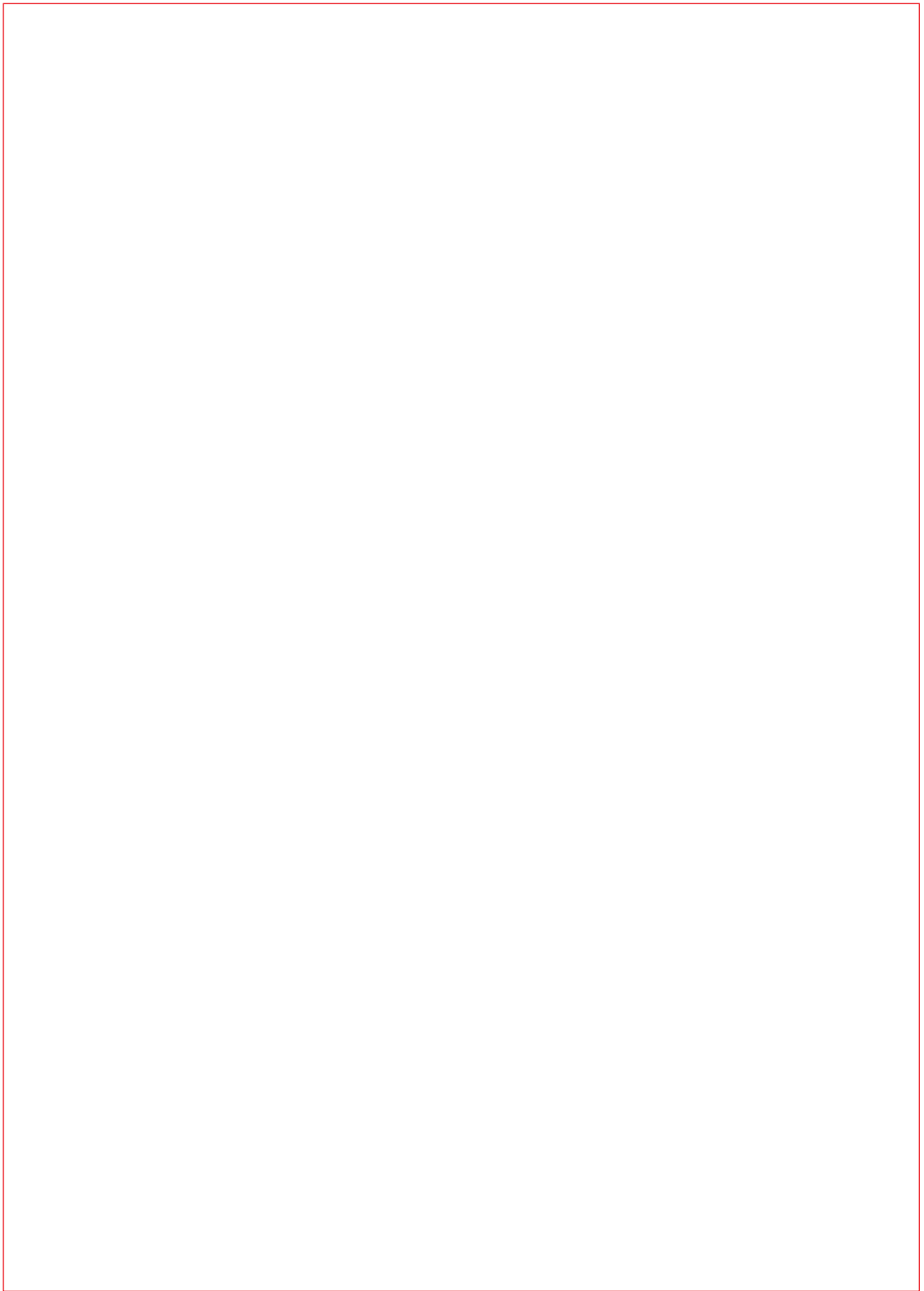
Connect the green ground wire to ground wire from outlet box.

**NOTE:** Make sure no bare wires are exposed outside the connections.

2. Secure the wall control to the outlet box using two mounting screws provided.

3. Secure the wallplate over the wall control with 2 wallplate screws.







RP | LIGHTING · FANS

[www.rplighting.com](http://www.rplighting.com)  
4931 Paseo Del Norte NE  
Albuquerque, NM 87113  
1-800.937.6925