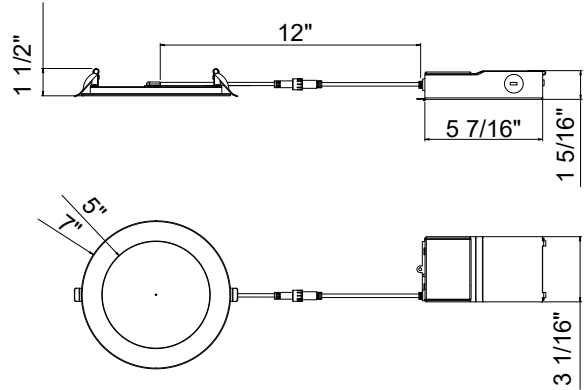


8544-90-5CCT

120V

Catalog #:		Type
Project:		Date
Prepared by:		

6" LED Fire-Rated Ultra-Thin Recessed Downlight, 5CCT Selectable



DESCRIPTION

A versatile LED Fire-rated recessed downlight to meet the demanding codes requiring 2-hour fire rating. This Ultra-Thin downlight utilizes edge-lit technology with an off-board, plenum rated driver box for an exceptional thin profile that requires no additional J-Box or recessed housing. The simple spring retention tabs securely hold the trim in place and the Selectable 5CCT expands the application versatility.

DESIGN FEATURES

Construction

- Ultra-thin 1-1/2" total trim profile
- Reinforced and heat resistant steel casing
- Frosted acrylic lens diffuses glare and maximizes output

Electrical

- 120V-60Hz, AC
- Dimmable TRIAC or ELV, 10-100%
- 50,000 hour projected life
- Operating Temp.: -20°C (-4°F) to +40°C (104°F)
- 120° Beam Angle
- Nominal 15W | 1046 lms @ 35K
- 90 CRI | 5CCT Selectable: 27K, 3K, 35K, 4K, 5K

Installation

- Spring-loaded retention tabs hold downlight snug to ceiling surface, off-board driver/ junction box, poke-in connectors, and linkable connector cable
- IC Rated for direct contact with batt type fiberglass insulation

EM Option

- RP Lighting 4782EM emergency battery pack factory installed
 - Emergency Battery Output = 9W
 - Emergency Lumen Output = 9W x Fixture L/W

Certifications

- cETLus listed for wet location
- 2-hour fire rating; tested to comply with UL 263, ASTM E119, and CAN ULC S101
- IC Rated | Air Tight Rated
- Energy Star Listed
- CEC JA8 Compliant
- LED Light Source: 5 year limited warranty
- Other Components: 1 year limited warranty

ORDERING GUIDE

Example: 8544WH-90-5CCT

Model #	Finish	CRI	CCT	EM
8544	WH	-90	-5CCT	
8544	WH : White	-90 : 90 CRI	-5CCT : Selectable 27K, 3K, 35K, 4K, 5K	: Blank (no EM) -EM : adds -EM option
Accessories				
PF-6 : New Construction Mounting Plate (see page 2 for details)				



LED Light Source

Other Components

TEL: 800.937.6925 | Fax: 800.207.9509 | www.rplighting.com

Specifications and dimensions subject to change without notice.

11/1824 R3



RP LIGHTING · FANS

8544-90-5CCT - 6" Fire-Rated Ultra-Thin Downlight

8544-90-5CCT

120V

Mounting Plate Accessory Information

Accessory Mounting Plate Assembly

- **PF-6**
- Includes four 12" bar hanger to allow for easy adjustment and easy installation
- Durable aluminum construction
- Perfect for installing recessed lighting into new construction



Accessory Mounting Plate Assembly

1. Align hanger bar brackets with mounting holes on the new construction mounting plate and secure in place with mounting screws (Fig. 1).
NOTE: Hanger bars can be installed on long or short side of the new construction mounting plate.
2. Insert both female and male parts of the hanger bars into the bracket from opposite ends (Fig. 2). Make sure that the male part is inserted within the female part and that the end tab is facing downwards.

