



RP

LIGHTING • FANS



**Over 30 Years
Experience**

Multi-Family, Residential, Commercial
Your Fan + Lighting
Specialists



Quality Product
Priced Right



Value Engineering
Light Commercial





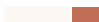

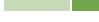


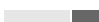


For over 30 years, RP Lighting + Fans has been a valued supplier of ceiling fans and lighting fixtures to electrical distributors and lighting showrooms. In that time our product offering has grown to encompass all types of lighting fixtures typically installed in multi-family or mixed use facilities, as well as many LED fixtures applicable for light commercial installations.

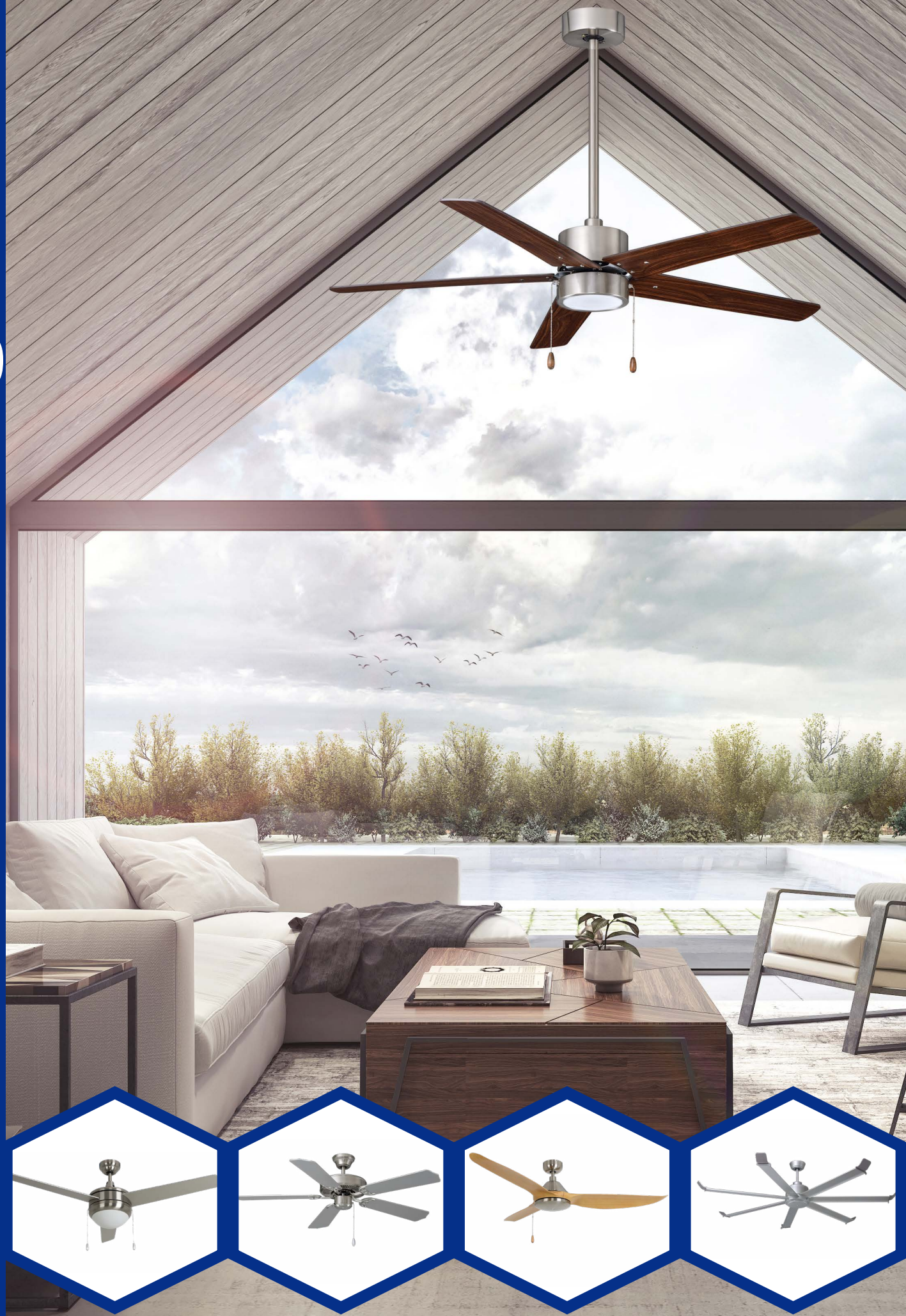
With our Headquarters located in Albuquerque, NM and several strategically placed warehouses across the country, RP provides fast and efficient delivery to our customers when and where they need it.

RP Lighting + Fans is committed to continuously expanding its catalog of quality products that our customers require. This volume 4.0 catalog presents our latest offering of energy efficient, high quality products priced right.



Sections

	Ceiling Fans.....	6 - 73
	Ceiling Fans.....	10 - 61
	Light Kits.....	62 - 66
	Controls.....	67
	Specifications.....	68 - 72
	Recessed Lighting.....	74 - 111
	Commercial Recessed.....	77 - 76
	Residential Recessed.....	78 - 96
	Recessed Alternative.....	97 - 111
	Wall / Ceiling Mount.....	112 - 127
	Vanity Lighting.....	128 - 135
	Decorative Suspended.....	136 - 141
	Linear Lighting.....	142 - 149
	Exit & Emergency Lighting.....	150 - 167
	Outdoor Lighting.....	168 - 175
	Step Lighting.....	176 - 179
	Track Lighting.....	180 - 187



Ceiling Fan Overview

Contemporary Fans



1079LED/1079-E26-L
Contempo
 3-Blade 50" Ceiling Fan
 Page 10



1078LED/1078-E26-L
Contempo I
 3-Blade 50" Ceiling Fan
 Page 11



1049LED/1049-E26-L
Contempo II
 3-Blade 44" Ceiling Fan
 Page 12



1043LED-1
Contempo IV
 3-Blade 52" Ceiling Fan
 Page 13



1008LED/1004-E26-L
Europa
 4-Blade 50" Ceiling Fan
 Page 14



1007LED/1007-E26-L
Europa I
 4-Blade 50" Ceiling Fan
 Page 15



1041LED/1041-E26-L
Europa II
 4-Blade 44" Ceiling Fan
 Page 16



1044LED-1
Europa IV
 4-Blade 52" Ceiling Fan
 Page 17



1005LED/1005-E26-L
Mirage
 5-Blade 50" Ceiling Fan
 Page 18



1025LED/1025-E26-L
Mirage I
 5-Blade 50" Ceiling Fan
 Page 19



1042LED/1042-E26-L
Mirage II
 5-Blade 44" Ceiling Fan
 Page 20



1045LED-1
Mirage IV
 5-Blade 52" Ceiling Fan
 Page 21



1074/1074LED
Aldea II
 3-Blade 52" Ceiling Fan
 Page 22, 23



1046-1/1046LED-1
Aldea III
 3-Blade 52" Ceiling Fan
 Page 24, 25



1071/1071LED
Aldea
 4-Blade 52" Ceiling Fan
 Page 26, 27

Specifications and dimensions subject to change.
 Lumens are delivered unless otherwise noted.
 See website for most current information.

Ceiling Fan Overview

Contemporary Fans (cont.)



1047-1/1047LED-1
Aldea IV
4-Blade 52" Ceiling Fan
Page 28, 29



1065/1065LED
Aldea V
5-Blade 52" Ceiling Fan
Page 30, 31



1048-1/1048-1LED
Aldea VI
5-Blade 52" Ceiling Fan
Page 32, 33



1021-ES
Sabio
3-Blade 42" Hugger Fan
Page 34



1022-ES
Sabio
3-Blade 52" Hugger Fan
Page 35



1023-ES
Metalis
4-Blade 42" Hugger Fan
Page 36



1024-ES
Metalis
4-Blade 52" Hugger Fan
Page 37



1073/1073LED
Torque
3-Blade 52" Ceiling Fan
Page 38, 39



1072/1072LED
Colibri
3-Blade 60" Ceiling Fan
Page 40, 41



1060-1/1060-1LED
Aldea X
6-Blade 60" Ceiling Fan
Page 51, 52



1091
Industrial Fan
3-Blade 56" Ceiling Fan
Page 53

Wet Listed Fans



1067-1
Aldea VII
3-Blade 52" Ceiling Fan
Page 42



1068-1
Aldea VIII
4-Blade 52" Ceiling Fan
Page 44



1069-1
Aldea IX
5-Blade 52" Ceiling Fan
Page 45

Ceiling Fan Overview

Wet Listed Fans (cont.)



1015W
Sunset
5-Blade 52" Ceiling Fan
Page 46



1016W
Sunset II
5-Blade 42" Ceiling Fan
Page 47



1086W
Arctic II
8-Blade 68" Fan
Page 50



1070W/1080W
Arctic
7-Blade 70" & 80" Ceiling Fan
Page 48



1037
Aldea XL
3-Blade 44" Ceiling Fan
Page 43

Traditional Fans



1057-1-L
Star Light
5-Blade 52" Ceiling Fan
Page 54



1032-1
Desert Moon
5-Blade 52" Ceiling Fan
Page 55



1052
Royal Star
5-Blade 52" Ceiling Fan
Page 56



1053
Royal Knight
5-Blade 42" Ceiling Fan
Page 57



1054
Royal Knight
5-Blade 30" Ceiling Fan
Page 58



1062-1
Royal Knight Hugger
5-Blade 52" Hugger Fan
Page 59



1063-1
Royal Knight Hugger
5-Blade 42" Hugger Fan
Page 60



1064-1
Royal Knight Hugger
5-Blade 30" Hugger Fan
Page 61

Warranty Information



Integrated LED Light Kits



E26 A19 LED Light Kits
Other Components

Specifications and dimensions subject to change.
Lumens are delivered unless otherwise noted.
See website for most current information.

Specifications and dimensions subject to change.
Lumens are delivered unless otherwise noted.
See website for most current information.

Contempo



BN-BN

3 Blades | 50" Sweep

- AC Motor | 153 x 15mm | 3-Speed | Reversible
- 3 Plywood Blades | 12° pitch | 4" downrod
- Pull Chain Standard | Remote or Wall Control Optional
- 1079-E26-L: E26 LED Light Kit:
2x9W A19 LED lamps included, 3000K, Dimmable
- 1079LED: Integrated LED Light Kit
16W, 1230 lms (source), 825 lms (delivered)
3000K, 90 CRI, Dimmable



BN-WT



OB-OB



MBK-MBK



BK-BK

WW-WW

PERFORMANCE

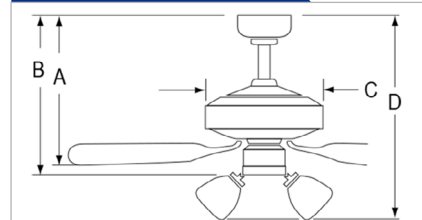
Model #	CFM		Power Use		Efficiency	Voltage
	High	Low	High	Low		
1079LED-1079-E26-L	5204	2730	57.74	15.43	90.1	120V

ORDERING GUIDE

Model	Motor / Blade Finish	Socket Base	Light Kit
1079LED - Integrated LED Light Kit	BN-BN	Brushed Nickel / Brushed Nickel	-E26 socket base -L A19 LED Lamps Included
	BN-WT	Brushed Nickel / Walnut	
	OB-OB	Oil Rubbed Bronze / Oil Rubbed Bronze	
	BK-BK	Black / Black	
	MBK-MBK	Matte Black / Matte Black	
1079	WW-WW	White / White	

Example: 1079BN-BN-E26-L

DIMENSIONS

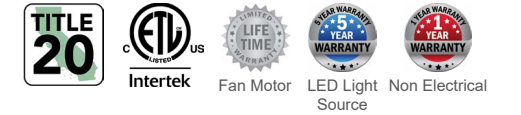


1079LED-
A: 10-1/4" | C: 10" | D: 15-1/4"

1079-E26-L
A: 10-1/4" | C: 10" | D: 16"

Specifications and dimensions subject to change. Lumens are delivered unless otherwise noted. See website for most current information.

Contempo I



BK-BK

3 Blades | 50" Sweep

- AC Motor | 153 x 15mm | 3-Speed | Reversible
- 3 Plywood Blades | 12° pitch | 4" downrod
- Pull Chain Standard | Remote or Wall Control Optional
- 1078-E26-L: E26 LED Light Kit;
2x9W A19 LED lamps included, 3000K, Dimmable
- 1078LED: Integrated LED Light Kit
16W, 1230 lms (source), 825 lms (delivered)
3000K, 90 CRI, Dimmable



BN-BN

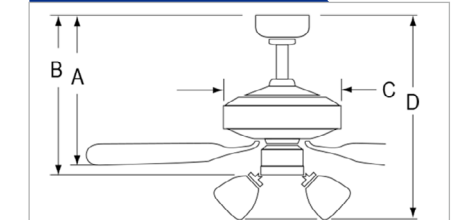


OB-OB



WW-WW

DIMENSIONS



1078LED
A: 10-1/2" | C: 10" | D: 15-1/4"

1078-E26-L
A: 10-1/2" | C: 10" | D: 16"

PERFORMANCE

Model #	CFM		Power Use		Efficiency	Voltage
	High	Low	High	Low		
1078LED-1078-E26-L	5449	2733	57.26	15.4	95.2	120V

ORDERING GUIDE

Model	Motor / Blade Finish	Socket Base	Light Kit
1078LED - Integrated LED Light Kit	BN-BN	Brushed Nickel / Brushed Nickel	-E26 socket base -L A19 LED Lamps Included
	OB-OB	Oil Rubbed Bronze / Oil Rubbed Bronze	
	BK-BK	Black / Black	
	WW-WW	White / White	
	1078		

Example: 1078BN-BN-E26-L

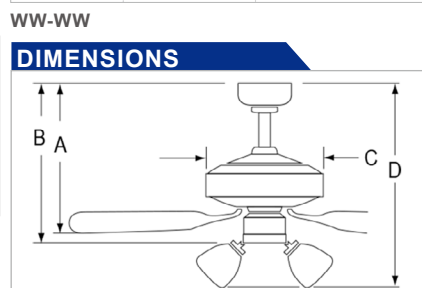
Specifications and dimensions subject to change. Lumens are delivered unless otherwise noted. See website for most current information.

Contempo II



3 Blades | 44" Sweep

- AC Motor | 153 x 15mm | 3-Speed | Reversible
- 3 Plywood Blades | 12° pitch | 4" downrod
- Pull Chain Standard | Remote or Wall Control Optional
- 1049-E26-L: E26 LED Light Kit; 2x9W A19 LED lamps included, 900 lms (delivered) 3000K, Dimmable
- 1049LED: Integrated LED Light Kit: 16W, 1230 lms (source), 825 lms (delivered) 3000K, 90 CRI, Dimmable



1049LED A: 10-1/4" C: 10" D: 15-1/4"
1049-E26 A: 10-1/4" C: 10" D: 15-1/4"

PERFORMANCE

Model #	CFM		Power Use		Efficiency	Voltage
	High	Low	High	Low		
1049LED 1049-E26-L	4361	2499	47.71	18.23	91.4	120V

ORDERING GUIDE

Model	Motor / Blade Finish	Socket Base	Light Kit
1049LED- Integrated LED Light Kit	BN-BN Brushed Nickel / Brushed Nickel OB-OB Oil Rubbed Bronze / Oil Rubbed Bronze	-E26 socket base	-L A19 LED Lamps Included
1049 Included E26 LED Light Kit	BK-BK Black / Black WW-WW White / White		

Example: 1049BN-BN-E26-L

Contempo IV



3 Blades | 52" Sweep | Integrated LED

- AC Motor | 172 x 14mm | 3-Speed | Reversible
- 3 Plywood Blades | 12° pitch | 4" downrod
- Pull Chain Standard | Remote or Wall Control Optional
- 1043LED-1: Integrated LED Light Kit: 16W, 1460 lms (source), 820 lms (delivered), 3000K, 90 CRI, Dimmable



BN-WT

BK-BK

MBK-MBK

PERFORMANCE

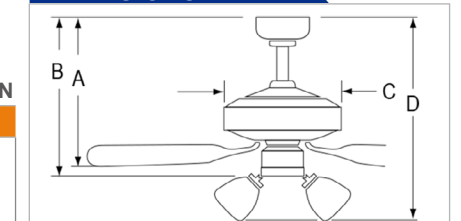
Model #	CFM		Power Use		Efficiency	Voltage
	High	Low	High	Low		
1043LED-1	5087	2219	43.09	10.57	134	120V

ORDERING GUIDE

Model	Motor / Blade Finish
1043LED-1 Integrated LED Light Kit	BN-BN Brushed Nickel / Brushed Nickel
	BN-WT Brushed Nickel / Walnut
	BK-BK Black / Black
	MBK-MBK Matte Black / Matte Black
	OB-OB Oil Rubbed Bronze / Oil Rubbed Bronze
	WW-WW White / White

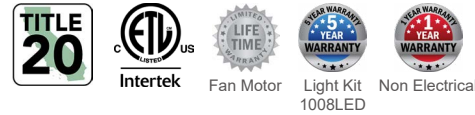
Example: 1043LED-1BN-BN

DIMENSIONS



1043LED-1 A: 10-1/4" C: 10" D: 15-1/4"
--

Europa



BN-BN

4 Blades | 50" Sweep

- AC Motor | 153 x 15mm | 3-Speed | Reversible
- 4 Plywood Blades | 12° pitch | 4" downrod
- Pull Chain Standard | Remote or Wall Control Optional
- 1004-E26-L: E26 LED Light Kit; 2x9W A19 LED lamps included, 3000K, Dimmable
- 1008LED: Integrated LED Light Kit: 16W, 1230 lms (source), 825 lms (delivered), 3000K 90 CRI, Dimmable; JA8/Title 24 Compliant



BN-WT



BK-BK

PERFORMANCE

Model #	CFM		Power Use		Efficiency	Voltage
	High	Low	High	Low		
1008LED 1004-E26-L	5351	2779	61.96	15.79	86.4	120V

ORDERING GUIDE

Model	Motor / Blade Finish	Socket Base	Light Kit
1008LED Integrated LED Light Kit	BN-BN Brushed Nickel / Brushed Nickel BN-WT Brushed Nickel / Walnut OB-OB Oil Rubbed Bronze / Oil Rubbed Bronze	-E26 socket base	-L A19 LED light kit included
1004 Included E26 LED Light Kit	BK-BK Black / Black MBK-MBK Matte Black / Matte Black WW-WW White / White		

Example: 1004BN-BN-E26-L



MBK-MBK

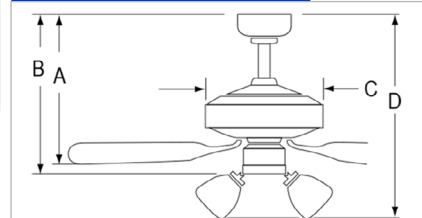


OB-OB



WW-WW

DIMENSIONS



1008LED
A: 10-1/4" | C: 10" | D: 15-1/4"

1004-E26-L
A: 10-1/4" | C: 10" | D: 16"

Specifications and dimensions subject to change. Lumens are delivered unless otherwise noted. See website for most current information.

Europa I



OB-OB

4 Blades | 50" Sweep

- AC Motor | 153 x 15mm | 3-Speed | Reversible
- 4 Curved Plywood Blades | 12° pitch | 4" downrod
- Pull Chain Standard | Remote or Wall Control Optional
- 1007-E26-L: E26 LED Light Kit: 2x9W A19 LED lamps included, 3000K, Dimmable
- 1007LED: Integrated LED Light Kit: 16W, 1230 lms (source), 825 lms (delivered), 3000K, 90 CRI, Dimmable



BK-BK

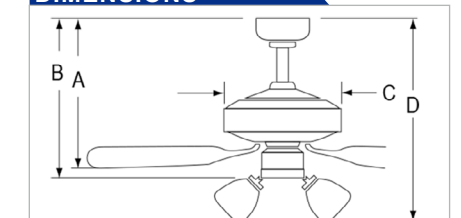


BN-BN



WW-WW

DIMENSIONS



1007LED
A: 10-1/2" | C: 10" | D: 15-1/4"

1007-E26-L
A: 10-1/2" | C: 10" | D: 16"

PERFORMANCE

Model #	CFM		Power Use		Efficiency	Voltage
	High	Low	High	Low		
1007LED 1007-E26-L	5300	2682	58.66	15.81	90.4	120V

ORDERING GUIDE

Model	Motor / Blade Finish	Socket Base	Light Kit
1007LED Integrated LED Light Kit	BN-BN Brushed Nickel / Brushed Nickel OB-OB Oil Rubbed Bronze / Oil Rubbed Bronze	-E26 socket base	-L A19 LED light kit included
1007 Included E26 LED Light Kit	BK-BK Black / Black WW-WW White / White		

Example: 1007BN-BN-E26-L

Specifications and dimensions subject to change. Lumens are delivered unless otherwise noted. See website for most current information.

Europa II



WW-WW

4 Blades | 44" Sweep

- AC Motor | 153 x 15mm | 3-Speed | Reversible
- 4 Plywood Blades | 12° pitch | 4" downrod
- Pull Chain Standard | Remote or Wall Control Optional
- 1041-E26-L: E26 LED Light Kit:
2x9W A19 LED lamps included
3000K, Dimmable
- 1041LED: Integrated LED Light Kit:
16W, 1230 lms (source), 825 lms (delivered)
3000K, 90 CRI, Dimmable



BN-BN

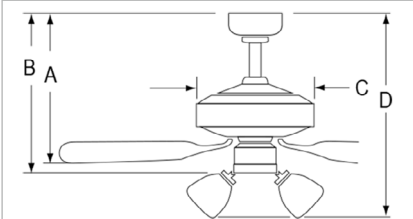


OB-OB



BK-BK

DIMENSIONS



1041LED
A: 10-1/4" | C: 10" | D: 15-1/4"

1041-E26-L
A: 10-1/4" | C: 10" | D: 16"

PERFORMANCE

Model #	CFM		Power Use		Efficiency	Voltage
	High	Low	High	Low		
1041LED 1041-E26-L	4255	2406	49.48	18.8	86	120V

ORDERING GUIDE

Model	Motor / Blade Finish	Socket Base	Light Kit
1041LED Integrated LED Light Kit	BN-BN Brushed Nickel / Brushed Nickel BK-BK Black / Black OB-OB Oil Rubbed Bronze / Oil Rubbed Bronze WW-WW White / White	-E26 socket base	-L A19 LED Lamps Included
1041 Included E26 LED Light Kit			

Example: 1041BN-BN-E26-L

Europa IV



BN-BN

4 Blades | 52" Sweep | Integrated LED

- AC Motor | 172 x 14mm | 3-Speed | Reversible
- 4 Plywood Blades | 12° pitch | 4" downrod
- Pull Chain Standard | Remote or Wall Control Optional
- Energy Star 4.0 Listed
- Integrated LED Light Kit: 16W, 1460 lms (source), 820 lms (delivered), 3000K, 90 CRI, Dimmable



MBK-MBK



OB-OB



WW-WW

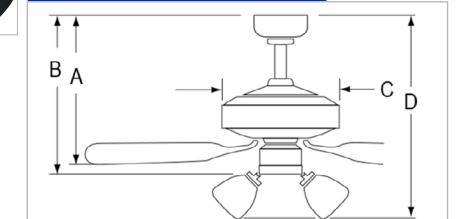


BN-WT



BK-BK

DIMENSIONS



1044LED
A: 10-1/4" | C: 10" | D: 15-1/4"

PERFORMANCE

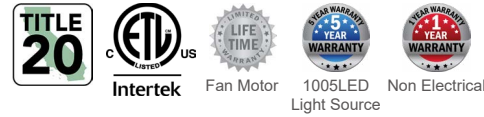
Model #	CFM		Power Use		Efficiency	Voltage
	High	Low	High	Low		
1044LED-1	4978	2145	43.82	10.41	130	120V

ORDERING GUIDE

Model	Motor / Blade Finish
1044LED-1 Integrated LED Light Kit	BN-BN Brushed Nickel / Brushed Nickel BN-WT Brushed Nickel / Walnut BK-BK Black / Black MBK-MBK Matte Black / Matte Black OB-OB Oil Rubbed Bronze / Oil Rubbed Bronze WW-WW White / White

Example: 1044LED-1BN-BN

Mirage



BN-BN



MBK-MBK



OB-OB



WW-WW

5 Blades | 50" Sweep

- AC Motor | 153 x 15mm | 3-Speed | Reversible
- 5 Plywood Blades | 12° pitch | 4" downrod
- Pull Chain Standard | Remote or Wall Control Optional

- 1005-E26-L: E26 LED Light Kit:
2x9W A19 LED lamps included
3000K, Dimmable
- 1005LED: Integrated LED Light Kit:
16W, 1230 lms (source), 825 lms (delivered),
3000K, 90 CRI, Dimmable

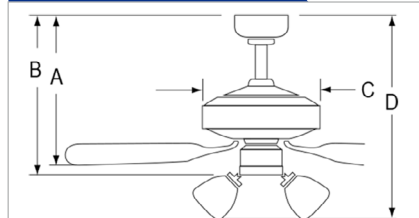


BN-WT



BK-BK

DIMENSIONS



1005LED
A: 10-1/4" | C: 10" | D: 15-1/4"

1005-E26-L
A: 10-1/4" | C: 10" | D: 16"

PERFORMANCE

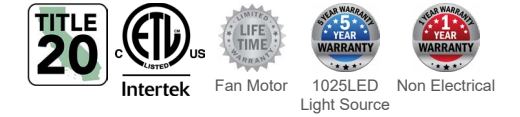
Model #	CFM		Power Use		Efficiency	Voltage
	High	Low	High	Low		
1005LED 1005-E26-L	5149	2571	59.6	17.47	86.4	120V

ORDERING GUIDE

Model	Motor / Blade Finish	Socket Base	Light Kit
1005LED Integrated LED Light Kit	BN-BN Brushed Nickel / Brushed Nickel BN-WT Brushed Nickel / Walnut OB-OB Oil Rubbed Bronze / Oil Rubbed Bronze	-E26 socket base	-L A19 LED light kit included
1005 Included E26 LED Light Kit	BK-BK Black / Black MBK-MBK Matte Black / Matte Black WW-WW White / White		

Example: 1005BN-BN-E26-L

Mirage I



BN-BN



OB-OB



WW-WW

5 Blades | 50" Sweep

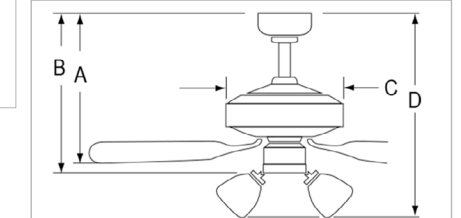
- AC Motor | 153 x 15mm | 3-Speed | Reversible
- 5 Curved Plywood Blades | 12° pitch | 4" downrod
- Pull Chain Standard | Remote or Wall Control Optional

- 1025-E26-L: E26 LED Light Kit:
2x9W A19 LED lamps included, 900 lms (delivered)
3000K, Dimmable
- 1025LED: Integrated LED Light Kit:
16W, 1230 lms (source), 825 lms (delivered)
3000K, 90 CRI, Dimmable



BK-BK

DIMENSIONS



1025LED
A: 10-1/2" | C: 10" | D: 15-1/4"

1025-E26-L
A: 10-1/2" | C: 10" | D: 16"

PERFORMANCE

Model #	CFM		Power Use		Efficiency	Voltage
	High	Low	High	Low		
1025LED 1025-E26-L	5246	2662	59.23	17.45	88.6	120V

ORDERING GUIDE

Model	Motor / Blade Finish	Socket Base	Light Kit
1025LED Integrated LED Light Kit	BN-BN Brushed Nickel / Brushed Nickel BK-BK* Black / Black OB-OB Oil Rubbed Bronze / Oil Rubbed Bronze	-E26 socket base	-L A19 LED Lamps Included
1025 Included E26 LED Light Kit	WW-WW White / White		

Example: 1025LED-WW-WW

*1025LED Only

Mirage II



5 Blades | 44" Sweep

- AC Motor | 153 x 15mm | 3-Speed | Reversible
- 5 Plywood Blades | 12° pitch | 4" downrod
- Pull Chain Standard | Remote or Wall Control Optional
- 1042-E26-L: E26 LED Light Kit:
2x9W A19 LED lamps included, 3000K, Dimmable
- 1042LED: Integrated LED Light Kit:
16W, 1230 lms (source), 825 lms (delivered)
3000K, 90 CRI, Dimmable



BN-WT

BK-BK

PERFORMANCE

Model #	CFM		Power Use		Efficiency	Voltage
	High	Low	High	Low		
1042LED 1042	4020	2308	48.63	18.13	82.7	120V

ORDERING GUIDE

Model	Motor / Blade Finish	Socket Base	Light Kit
1042LED Integrated LED Light Kit	BN-BN Brushed Nickel / Brushed Nickel BN-WT Brushed Nickel / Walnut OB-OB Oil Rubbed Bronze / Oil Rubbed Bronze BK-BK Black / Black WW-WW White / White	-E26 socket base	-L A19 LED Lamps Included

Example: 1042BN-WT-E26-L

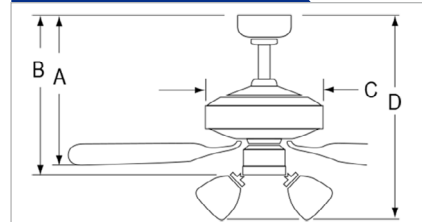


BN-BN



WW-WW

DIMENSIONS



1042LED
A: 10-1/4" | C: 10" | D: 15-1/4"

1042-E26-L
A: 10-1/4" | C: 10" | D: 16"

Specifications and dimensions subject to change.
Lumens are delivered unless otherwise noted.
See website for most current information.

Mirage IV



5 Blades | 52" Sweep | Integrated LED

- AC Motor | 172 x 14mm | 3-Speed | Reversible
- 5 Plywood Blades | 12° pitch | 4" downrod
- Pull Chain Standard | Remote or Wall Control Optional
- Energy Star 4.0 Listed
- Integrated LED Light Kit: 16W, 1460 lms (source)
820 lms (delivered), 3000K, 90 CRI, Dimmable



BN-WT

BK-BK



MBK-MBK



OB-OB



WW-WW

PERFORMANCE

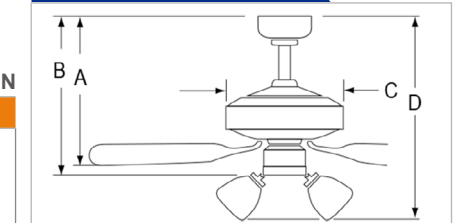
Model #	CFM		Power Use		Efficiency	Voltage
	High	Low	High	Low		
1045LED-1	4777	2094	44.38	10.19	124	120V

ORDERING GUIDE

Model	Motor / Blade Finish
1045LED-1 Integrated LED Light Kit	BN-BN Brushed Nickel / Brushed Nickel BN-WT Brushed Nickel / Walnut BK-BK Black / Black MBK-MBK Matte Black / Matte Black OB-OB Oil Rubbed Bronze / Oil Rubbed Bronze WW-WW White / White

Example: 1045LED-1BN-BN

DIMENSIONS



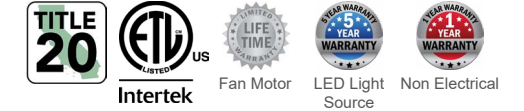
1045LED-1
A: 10-1/4" | C: 10" | D: 15-1/4"

Specifications and dimensions subject to change.
Lumens are delivered unless otherwise noted.
See website for most current information.

Aldea II



Aldea II



CEILING FAN

CEILING FAN



BN-BN



BN-BN

3 Blades | 52" Sweep | Integrated LED

- AC Motor | 153 x 12mm | 3-Speed | Reversible
- 3 MDF Blades | 11° pitch | 4" downrod
- Pull Chain Standard | Remote or Wall Control Optional
- 1074LED: Integrated LED Light Kit:
16 W, 1251 lms (sourced), 983 lms (delivered)
3000K, 90 CRI, Dimmable

3 Blades | 52" Sweep | Light Kit Adaptable

- AC Motor | 153 x 12mm | 3-Speed | Reversible
- 3 MDF Blades | 11° pitch | 4" downrod
- Pull Chain Standard | Remote or Wall Control Optional
- 1074: Light Kit Adaptable



OB-WT



BN-WT



WW-WW



MBK-MBK



OB-WT



BN-WT



WW-WW



MBK-MBK

PERFORMANCE

Model #	CFM		Power Use		Efficiency	Voltage
	High	Low	High	Low		
1074LED	5062	2443	57.45	12.21	88.1	120V

PERFORMANCE

Model #	CFM		Power Use		Efficiency	Voltage
	High	Low	High	Low		
1074	5062	2447	57.38	12.14	88.2	120V

ORDERING GUIDE

Example: 1074LEDBN-BN

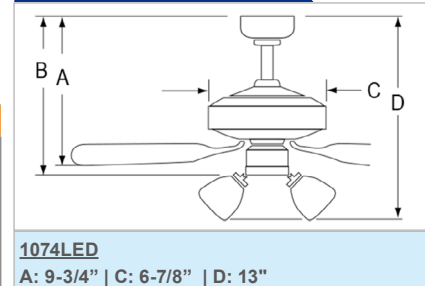
Model	Motor / Blade Finish
1074LED Integrated LED Light Kit	BN-BN Brushed Nickel / Brushed Nickel
	BN-WT Brushed Nickel / Walnut
	MBK-MBK Matte Black / Matte Black
	OB-WT Oil Rubbed Bronze / Walnut
	WW-WW White / White

ORDERING GUIDE

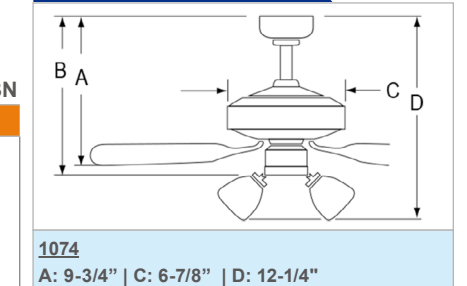
Example: 1074BN-BN

Model	Motor / Blade Finish
1074 Light Kit Adaptable	BN-BN Brushed Nickel / Brushed Nickel
	BN-WT Brushed Nickel / Walnut
	MBK-MBK Matte Black / Matte Black
	OB-WT Oil Rubbed Bronze / Walnut
	WW-WW White / White

DIMENSIONS



DIMENSIONS



Specifications and dimensions subject to change. Lumens are delivered unless otherwise noted. See website for most current information.

Specifications and dimensions subject to change. Lumens are delivered unless otherwise noted. See website for most current information.

Aldea III



OB-WT

3 Blades | 52" Sweep | Integrated LED

- AC Motor | 172 x 14mm | 3-Speed | Reversible
- 3 Plywood Blades | 11° pitch | 4" downrod
- Pull Chain Standard | Remote or Wall Control Optional
- 1046LED-1: Integrated LED Light Kit:
16W, 1470 lms (source), 820 lms (delivered)
3000K, 90 CRI, Dimmable



BN-BN



BN-WT

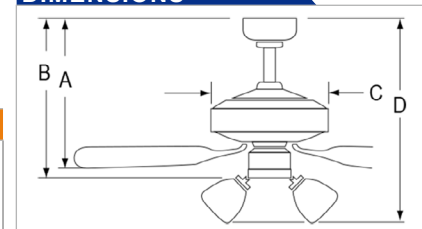


WW-WW



MBK-MBK

DIMENSIONS



1046LED-1
A: 12-1/4" | C: 7-5/8" | D: 13"

PERFORMANCE

Model #	CFM		Power Use		Efficiency	Voltage
	High	Low	High	Low		
1046LED-1	5092	2318	42.24	12.46	134	120V

ORDERING GUIDE

Example: 1046LED-1BN-BN

Model	Motor / Blade Finish
1046LED-1 Integrated LED Light Kit	BN-BN Brushed Nickel / Brushed Nickel
	BN-WT Brushed Nickel / Walnut
	MBK-MBK Matte Black / Matte Black
	OB-WT Oil Rubbed Bronze / Walnut
	WW-WW White / White

Aldea III



OB-WT

3 Blades | 52" Sweep | Light Kit Adaptable

- AC Motor | 172 x 14mm | 3-Speed | Reversible
- 3 Plywood Blades | 11° pitch | 4" downrod
- Pull Chain Standard | Remote or Wall Control Optional
- 1046-1: Light Kit Adaptable



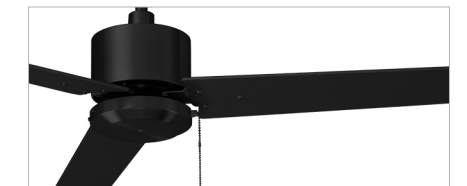
BN-BN



BN-WT

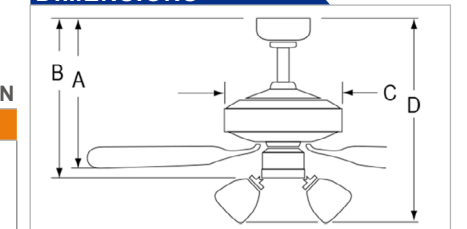


WW-WW



MBK-MBK

DIMENSIONS



1046-1
A: 9-3/4" | C: 7-5/8" | D: 12-1/4"

PERFORMANCE

Model #	CFM		Power Use		Efficiency	Voltage
	High	Low	High	Low		
1046-1	5108	2304	42.08	12.5	134	120V

ORDERING GUIDE

Example: 1046-1BN-BN

Model	Motor / Blade Finish
1046-1 Light Kit Adaptable	BN-BN Brushed Nickel / Brushed Nickel
	BN-WT Brushed Nickel / Walnut
	MBK-MBK Matte Black / Matte Black
	OB-WT Oil Rubbed Bronze / Walnut
	WW-WW White / White



4 Blades | 52" Sweep | Integrated LED

- AC Motor | 153 x 12mm | 3-Speed | Reversible
- 4 MDF Blades | 11° pitch | 4" downrod
- Pull Chain Standard | Remote or Wall Control Optional
- 1071LED: Integrated LED Light Kit: 16W, 1300 lms (source), 983 lms (delivered), 3000K, 90 CRI, Dimmable



WW-WW



OB-WT



BN-WT



MBK-MBK



BK-BK

PERFORMANCE

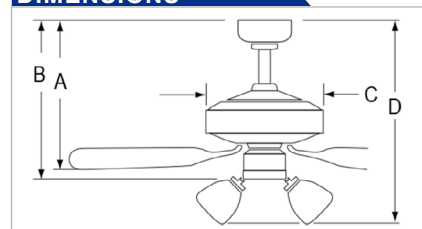
Model #	CFM		Power Use		Efficiency	Voltage
	High	Low	High	Low		
1071LED	4945	2360	57.63	13.2	85.8	120V

ORDERING GUIDE

Example: 1071LEDBN-BN

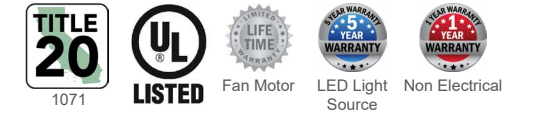
Model	Motor / Blade Finish	
1071LED Integrated LED Light Kit	BN-BN	Brushed Nickel / Brushed Nickel
	BN-WT	Brushed Nickel / Walnut
	BK-BK	Black / Black
	MBK-MBK	Matte Black
	OB-WT	Oil Rubbed Bronze / Walnut
	WW-WW	White / White

DIMENSIONS



1071LED
A: 9-3/4" | C: 6-7/8" | D: 13"

Specifications and dimensions subject to change. Lumens are delivered unless otherwise noted. See website for most current information.



4 Blades | 52" Sweep | Light Kit Adaptable

- AC Motor | 153 x 12mm | 3-Speed | Reversible
- 4 MDF Blades | 11° pitch | 4" downrod
- Pull Chain Standard | Remote or Wall Control Optional
- 1071: Light Kit Adaptable



WW-WW



BK-BK



MBK-MBK



OB-WT



BN-WT

PERFORMANCE

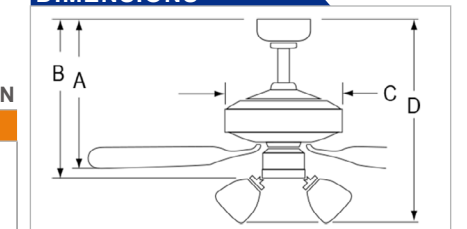
Model #	CFM		Power Use		Efficiency	Voltage
	High	Low	High	Low		
1071	4899	2335	57	11.62	85.9	120V

ORDERING GUIDE

Example: 1071BN-BN

Model	Motor / Blade Finish	
1071 Light Kit Adaptable	BN-BN	Brushed Nickel / Brushed Nickel
	BN-WT	Brushed Nickel / Walnut
	BK-BK	Black / Black
	MBK-MBK	Matte Black
	OB-WT	Oil Rubbed Bronze / Walnut
	WW-WW	White / White

DIMENSIONS



1071
A: 9-3/4" | C: 6-7/8" | D: 12-1/4"

Specifications and dimensions subject to change. Lumens are delivered unless otherwise noted. See website for most current information.

Aldea IV



BN-WT

4 Blades | 52" Sweep | Integrated LED

- AC Motor | 172 x 14mm | 3-Speed | Reversible
- 4 Plywood Blades | 11° pitch | 4" downrod
- Pull Chain Standard | Remote or Wall Control Optional
- 1047LED-1: Integrated LED Light Kit: 16W, 1470 lms (source), 820 lms (delivered), 3000K, 90 CRI, Dimmable



OB-WT



BN-BN

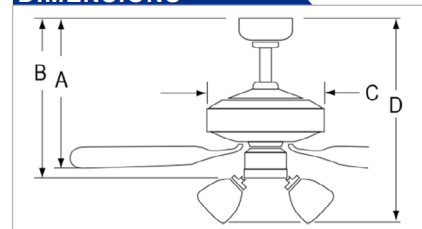


MBK-MBK



WW-WW

DIMENSIONS



1047LED-1
A: 9-3/4" | B: 13" | C: 6-7/8"

PERFORMANCE

Model #	CFM		Power Use		Efficiency	Voltage
	High	Low	High	Low		
1047LED-1	5088	2094	44.25	10.36	130	120V

ORDERING GUIDE

Example: 1047LED-1BN-BN

Model	Motor / Blade Finish
1047LED-1 Integrated LED Light Kit	BN-BN Brushed Nickel / Brushed Nickel
	BN-WT Brushed Nickel / Walnut
	MBK-MBK Matte Black
	OB-WT Oil Rubbed Bronze / Walnut
	WW-WW White / White

Aldea IV



BN-WT

4 Blades | 52" Sweep | Light Kit Adaptable

- AC Motor | 172 x 14mm | 3-Speed | Reversible
- 4 Plywood Blades | 11° pitch | 4" downrod
- Pull Chain Standard | Remote or Wall Control Optional
- 1047-1: Light Kit Adaptable



OB-WT



BN-BN

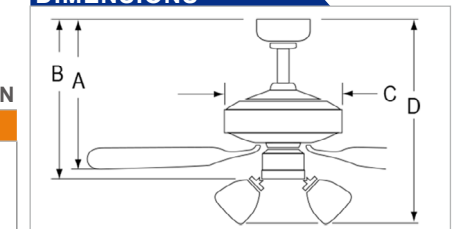


MBK-MBK



WW-WW

DIMENSIONS



1047-1
A: 9-3/4" | B: 12-1/4" | C: 6-7/8"

PERFORMANCE

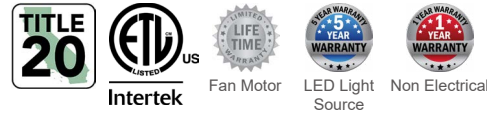
Model #	CFM		Power Use		Efficiency	Voltage
	High	Low	High	Low		
1047-1	5012	2116	44.18	10.31	129	120V

ORDERING GUIDE

Example: 1047-1BN-BN

Model	Motor / Blade Finish
1047-1 Light Kit Adaptable	BN-BN Brushed Nickel / Brushed Nickel
	BN-WT Brushed Nickel / Walnut
	MBK-MBK Matte Black
	OB-WT Oil Rubbed Bronze / Walnut
	WW-WW White / White

Aldea V



5 Blades | 52" Sweep | Integrated LED

- AC Motor | 153 x 12mm | 3-Speed | Reversible
- 5 MDF Blades | 11° pitch | 4" downrod
- Pull Chain Standard | Remote or Wall Control Optional
- 1065LED: Integrated LED Light Kit:
16W, 1251 lms (source), 983 lms (delivered),
3000K, 90 CRI, Dimmable



OB-WT



BN-BN

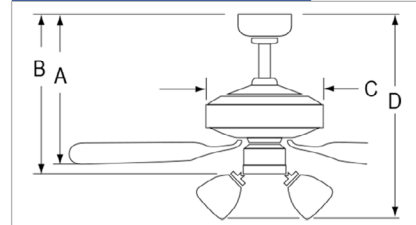


BN-WT



WW-WW

DIMENSIONS



1065LED
A: 12-1/4" | C: 7-5/8" | D: 13"

PERFORMANCE

Model #	CFM		Power Use		Efficiency	Voltage
	High	Low	High	Low		
1065LED	5156	2454	58.64	12.15	87.9	120V

ORDERING GUIDE

Example: 1065LEDBN-BN

Model	Motor / Blade Finish
1065LED Integrated LED Light Kit	BN-BN Brushed Nickel / Brushed Nickel
	BN-WT Brushed Nickel / Walnut
	MBK-MBK Matte Black / Matte Black
	OB-WT Oil Rubbed Bronze / Walnut
	WW-WW White / White

Specifications and dimensions subject to change.
Lumens are delivered unless otherwise noted.
See website for most current information.

Aldea V



5 Blades | 52" Sweep | Light Kit Adaptable

- AC Motor | 153 x 12mm | 3-Speed | Reversible
- 5 MDF Blades | 11° pitch | 4" downrod
- Pull Chain Standard | Remote or Wall Control Optional
- 1065: Light Kit Adaptable



OB-WT



BN-BN



BN-WT



WW-WW

PERFORMANCE

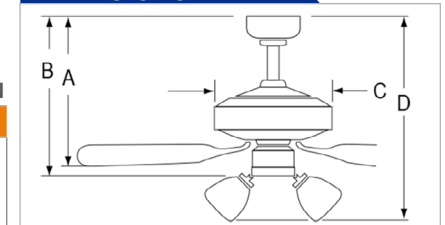
Model #	CFM		Power Use		Efficiency	Voltage
	High	Low	High	Low		
1065	5156	2454	58.64	12.15	87.9	120V

ORDERING GUIDE

Example: 1065BN-BN

Model	Motor / Blade Finish
1065 Light Kit Adaptable	BN-BN Brushed Nickel / Brushed Nickel
	BN-WT Brushed Nickel / Walnut
	MBK-MBK Matte Black / Matte Black
	OB-WT Oil Rubbed Bronze / Walnut
	WW-WW White / White

DIMENSIONS



1065
A: 9-3/4" | C: 7-5/8" | D: 12-1/4"

Specifications and dimensions subject to change.
Lumens are delivered unless otherwise noted.
See website for most current information.

Aldea VI



5 Blades | 52" Sweep | Integrated LED

- AC Motor | 172 x 14mm | 3-Speed | Reversible
- 5 Plywood Blades | 11° pitch | 4" downrod
- Pull Chain Standard | Remote or Wall Control Optional
- 1048LED-1: Integrated LED Light Kit: 16W, 1470 lms (source), 820 lms (delivered), 3000K, 90 CRI, Dimmable



OB-WT



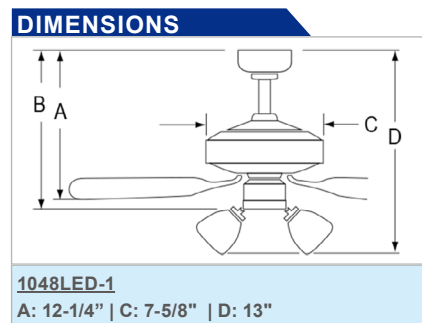
BN-BN



MBK-MBK



WW-WW



PERFORMANCE

Model #	CFM		Power Use		Efficiency	Voltage
	High	Low	High	Low		
1048LED-1	4882	2069	44.51	10.47	125	120V

ORDERING GUIDE

Example: 1048LED-1BN-BN

Model	Motor / Blade Finish
1048LED-1 Integrated LED Light Kit	BN-BN Brushed Nickel / Brushed Nickel
	BN-WT Brushed Nickel / Walnut
	MBK-MBK Matte Black / Matte Black
	OB-WT Oil Rubbed Bronze / Walnut
	WW-WW White / White

Specifications and dimensions subject to change. Lumens are delivered unless otherwise noted. See website for most current information.

Aldea VI



5 Blades | 52" Sweep | Light Kit Adaptable

- AC Motor | 172 x 14mm | 3-Speed | Reversible
- 5 Plywood Blades | 11° pitch | 4" downrod
- Pull Chain Standard | Remote or Wall Control Optional
- 1048-1: Light Kit Adaptable



OB-WT



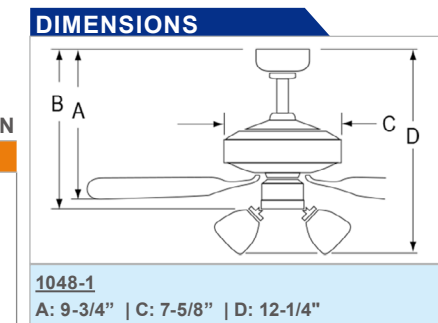
BN-BN



MBK-MBK



WW-WW



PERFORMANCE

Model #	CFM		Power Use		Efficiency	Voltage
	High	Low	High	Low		
1048-1	4877	2032	44.48	10.45	124	120V

ORDERING GUIDE

Example: 1048-1BN-BN

Model	Motor / Blade Finish
1048-1 Light Kit Adaptable	BN-BN Brushed Nickel / Brushed Nickel
	BN-WT Brushed Nickel / Walnut
	MBK-MBK Matte Black / Matte Black
	OB-WT Oil Rubbed Bronze / Walnut
	WW-WW White / White

Specifications and dimensions subject to change. Lumens are delivered unless otherwise noted. See website for most current information.

Sabio



BN-WT

3 Blades | 42" Sweep | Integrated LED

- 1021-ES: AC Motor | 153 x 9mm | 3-Speed | Reversible
- 3 MDF Blades | 12° pitch | Hugger
- Pull Chain Standard | Remote or Wall Control Optional
- Flush Mount
- Integrated LED Light Kit: 15.5W, 1240 lms (source) 789 lms (delivered), 3000K, 90 CRI, Dimmable



OB-WT

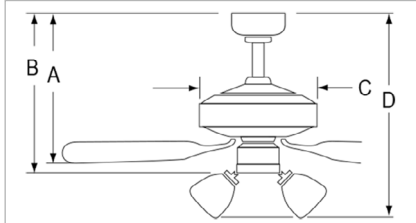


BN-BN



WW-WW

DIMENSIONS



1021-ES
A: 7-1/2" | C: 7-1/4" | D: 10-7/8"

PERFORMANCE

Model #	CFM		Power Use		Efficiency	Voltage
	High	Low	High	Low		
1021-ES	3214	1248	43.57	7.94		120V

ORDERING GUIDE

Model	Motor / Blade Finish	Energy Star
1021 42" Sweep Hugger	BN-BN Brushed Nickel / Brushed Nickel BN-WT Brushed Nickel / Walnut OB-WT Oil Rubbed Bronze / Walnut WW-WW White / White	-ES

Example: 1021BN-BN-ES

Sabio



BN-WT

3 Blades | 52" Sweep | Integrated LED

- 1022-ES: AC Motor | 153 x 14mm | 3-Speed | Reversible
- 3 MDF Blades | 12° pitch | Hugger
- Pull Chain Standard | Remote or Wall Control Optional
- Flush Mount
- Integrated LED Light Kit: 15.5W, 1240 lms (source) 789 lms (delivered), 3000K, 90 CRI, Dimmable



OB-WT

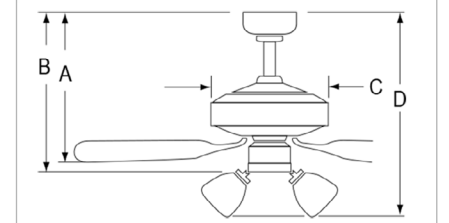


BN-BN



WW-WW

DIMENSIONS



1022-ES
A: 7-1/2" | C: 7-1/4" | D: 10-7/8"

PERFORMANCE

Model #	CFM		Power Use		Efficiency	Voltage
	High	Low	High	Low		
1022-ES	4498	1897	55.94	13.4		120V

ORDERING GUIDE

Model	Motor / Blade Finish	Energy Star
1022 52" Sweep Hugger	BN-BN Brushed Nickel / Brushed Nickel BN-WT Brushed Nickel / Walnut OB-WT Oil Rubbed Bronze / Walnut WW-WW White / White	-ES

Example: 1022BN-BN-ES

Metalis



BN-WT

4 Blades | 42" Sweep | Integrated LED

- 1023-ES: AC Motor | 153 x 9mm | 4-Speed | Reversible
- 4 MDF Blades | 12° pitch | Hugger
- Pull Chain Standard | Remote or Wall Control Optional
- Flush Mount
- Integrated LED Light Kit: 15.5W, 1240 lms (source)
789 lms (delivered), 3000K, 80 CRI, Dimmable Triac or ELV, 10-100%



OB-WT

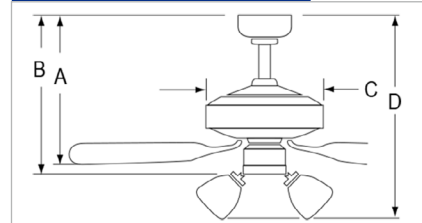


BN-BN



WW-WW

DIMENSIONS



1023-ES
A: 7-1/2" | C: 7-1/4" | D: 10-7/8"

PERFORMANCE

Model #	CFM		Power Use		Efficiency	Voltage
	High	Low	High	Low		
1023-ES	3002	1072	43.83	7.88	68.49	120V

ORDERING GUIDE

Model	Motor / Blade Finish	Energy Star
1023 42" Sweep Hugger	BN-BN Brushed Nickel / Brushed Nickel BN-WT Brushed Nickel / Walnut OB-WT Oil Rubbed Bronze / Walnut WW-WW White / White	-ES

Example: 1023BN-BN-ES

Metalis



BN-WT

4 Blades | 52" Sweep | Integrated LED

- 1024-ES: AC Motor | 153 x 15mm | 3-Speed | Reversible
- 4 MDF Blades | 12° pitch | Hugger
- Pull Chain Standard | Remote or Wall Control Optional
- Flush Mount
- Integrated LED Light Kit: 15.5W, 1240 lms (source)
789 lms (delivered), 3000K, 80 CRI, Dimmable Triac or ELV, 10-100%



OB-WT

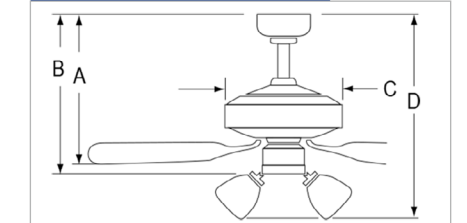


BN-BN



WW-WW

DIMENSIONS



1024-ES
A: 7-1/2" | C: 7-1/4" | D: 10-7/8"

PERFORMANCE

Model #	CFM		Power Use		Efficiency	Voltage
	High	Low	High	Low		
1024-ES	4486	1997	56.79	13.28	75	120V

ORDERING GUIDE

Model	Motor / Blade Finish	Energy Star
1024 52" Sweep Hugger	BN-BN Brushed Nickel / Brushed Nickel BN-WT Brushed Nickel / Walnut OB-WT Oil Rubbed Bronze / Walnut WW-WW White / White	-ES

Example: 1024BN-BN-ES

Torque

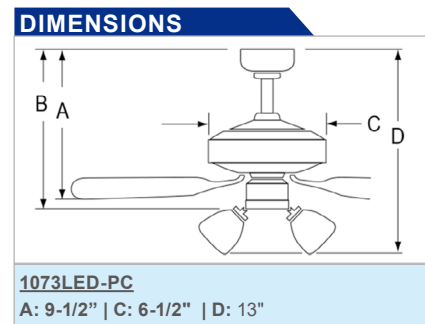


3 Blades | 52" Sweep | Integrated LED

- AC Motor | 153 x 18 mm | 3-Speed | Reversible
- 3 Wood Blades | 11° pitch | 4" downrod
- Pull Chain Standard | Remote or Wall Control Optional
- 1073LED-PC: Integrated LED Light Kit: 16W, 1290 lms (source) 908 lms (delivered), 3000K, 90 CRI, Dimmable



OB-WT



PERFORMANCE

Model #	CFM		Power Use		Efficiency	Voltage
	High	Low	High	Low		
1073LED-PC	5666	2429	60	11.59	94.4	120V

ORDERING GUIDE

Model	Motor / Blade Finish	Control	
1073LED	BN-NM OB-WT	-PC	Pull Chain Included

Example: 1073LEDBN-WT-PC

Torque

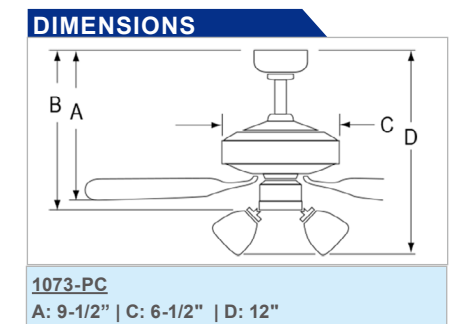


3 Blades | 52" Sweep

- AC Motor | 153 x 18 mm | 3-Speed | Reversible
- 3 Wood Blades | 11° pitch | 4" downrod
- Pull Chain Standard | Remote or Wall Control Optional



OB-WT



PERFORMANCE

Model #	CFM		Power Use		Efficiency	Voltage
	High	Low	High	Low		
1073-PC	5666	2429	60	11.59	94.4	120V

ORDERING GUIDE

Model	Motor / Blade Finish	Control	
1073	BN-NM OB-WT	-PC	Pull Chain Included

Example: 1073BN-WT-PC

Colibri



Colibri



CEILING FAN

CEILING FAN



BN-NM



BN-NM

3 Blades | 60" Sweep | Integrated LED

- AC Motor | 188 x 12mm | 3-Speed | Reversible
- 3 ABS Blades | 11° pitch | 4" downrod
- Pull Chain Standard | Remote or Wall Control Optional
- 1072LED-PC: Integrated LED Light Kit: 15W LED, 1461 lms (source) 1018 lms (delivered) 3000K, 90 CRI, Dimmable



OB-WT

3 Blades | 60" Sweep

- AC Motor | 188 x 12mm | 3-Speed | Reversible
- 3 ABS Blades | 11° pitch | 4" downrod
- Pull Chain Standard | Remote or Wall Control Optional

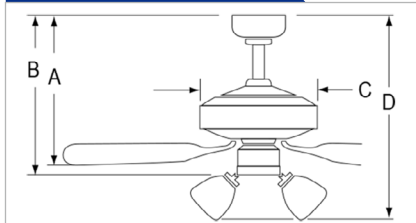


OB-WT

PERFORMANCE

Model #	CFM		Power Use		Efficiency	Voltage
	High	Low	High	Low		
1072LED-PC	7681	2954	61.18	10.62	125.5	120V

DIMENSIONS



1072LED-PC
A: 9-31/32" | C: 9" | D: 13"

ORDERING GUIDE

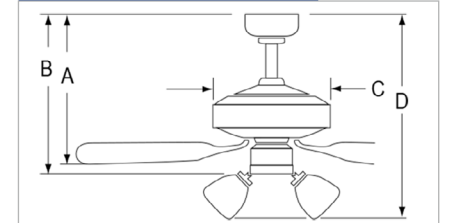
Example: 1072LED-BN-NM-PC

Model	Motor / Blade Finish	Control	
1072LED Integrated LED Light Kit	BN-NM OB-WT Brushed Nickel / Natural Maple Oil Rubbed Bronze / Walnut	-PC	Pull Chain Included

PERFORMANCE

Model #	CFM		Power Use		Efficiency	Voltage
	High	Low	High	Low		
1072-PC	7827	2970	65.46	9.94	119.6	120V

DIMENSIONS



1072-PC
A: 9-31/32" | C: 9" | D: 13"

ORDERING GUIDE

Example: 1072BN-NM-PC

Model	Motor / Blade Finish	Control	
1072	BN-NM OB-WT Brushed Nickel / Natural Maple Oil Rubbed Bronze / Walnut	-PC	Pull Chain Included

Aldea VII



3 Blades | 52" Sweep | Light Kit Adaptable

- AC Motor | 172 x 14 mm | 3-Speed | Reversible
- 3 ABS Waterproof Blades | 11° pitch | 4" downrod
- Pull Chain Standard | Remote or Wall Control Optional
- Light Kit Adaptable with wet listed
1RP69-1LED Light Kit (sold separately)
- Wet Location Listed



WW-WW



BP-BP



OB-OB

PERFORMANCE

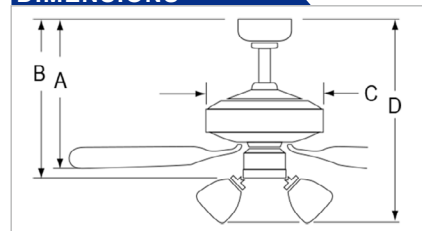
Model #	CFM		Power Use		Efficiency	Voltage
	High	Low	High	Low		
1067	4980	2061	45.42	10.43	110	120V

ORDERING GUIDE

Example: 1067BP-BP

Model	Motor / Blade Finish
1067	BP-BP Brushed Pewter / Brushed Pewter
Light Kit Adaptable	MBK-MBK Matte Black / Matte Black
	OB-OB Oil Rubbed Bronze / Oil Rubbed Bronze
	WW-WW White / White

DIMENSIONS



1067
A: 9-7/8" | C: 7-5/8" | D: 12-3/8"

Specifications and dimensions subject to change.
Lumens are delivered unless otherwise noted.
See website for most current information.

Aldea XI



3 Blades | 44" Sweep | Light Kit Adaptable

- AC Motor | 172 x 14 mm | 3-Speed | Reversible
- 3 ABS Waterproof Blades | 11° pitch | 4" downrod
- Pull Chain Standard | Remote or Wall Control Optional
- Light Kit Adaptable with wet listed
1RP69-1LED or 1RP98LED Light Kit (sold separately)
- Wet Location Listed



WW-WW



BP-BP



OB-OB

PERFORMANCE

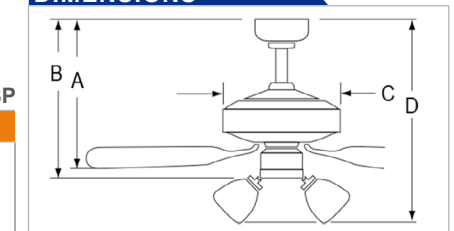
Model #	CFM		Power Use		Efficiency	Voltage
	High	Low	High	Low		
1037	4058	1624	33.58	10.43	121	120V

ORDERING GUIDE

Example: 1037BP-BP

Model	Motor / Blade Finish
1037	BP-BP Brushed Pewter / Brushed Pewter
Light Kit Adaptable	MBK-MBK Matte Black / Matte Black
	OB-OB Oil Rubbed Bronze / Oil Rubbed Bronze
	WW-WW White / White

DIMENSIONS



1067
A: 9-7/8" | C: 7-5/8" | D: 12-3/8"

Specifications and dimensions subject to change.
Lumens are delivered unless otherwise noted.
See website for most current information.

Aldea VIII



MBK-MBK

4 Blades | 52" Sweep | Light Kit Adaptable

- AC Motor | 172 x 14 mm | 3-Speed | Reversible
- 4 ABS Waterproof Blades | 11° pitch | 4" downrod
- Pull Chain Standard | Remote or Wall Control Optional
- Light Kit Adaptable with wet listed 1RP69-1LED Light Kit (sold separately)
- Wet Location Listed



WW-WW



BP-BP



OB-OB

PERFORMANCE

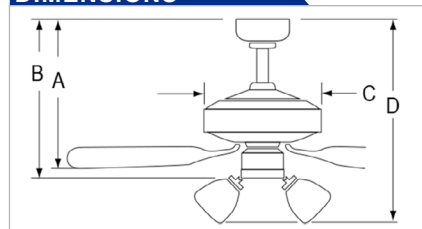
Model #	CFM		Power Use		Efficiency	Voltage
	High	Low	High	Low		
1068	4737	1981	45.32	10.33	108.9	120V

ORDERING GUIDE

Example: 1068BP-BP

Model	Motor / Blade Finish
1068	BP-BP Brushed Pewter / Brushed Pewter
	MBK-MBK Matte Black / Matte Black
	OB-OB Oil Rubbed Bronze / Oil Rubbed Bronze
	WW-WW White / White

DIMENSIONS



1068
A: 9-7/8" | C: 7-5/8" | D: 12-3/8"

Specifications and dimensions subject to change. Lumens are delivered unless otherwise noted. See website for most current information.

Aldea IX



MBK-MBK

5 Blades | 52" Sweep | Light Kit Adaptable

- AC Motor | 172 x 14mm | 3-Speed | Reversible
- 5 ABS Waterproof Blades | 11° pitch | 4" downrod
- Pull Chain Standard | Remote or Wall Control Optional
- Light Kit Adaptable with wet listed 1RP69LED Light Kit (sold separately)
- Wet Location Listed



WW-WW



BP-BP



OB-OB

PERFORMANCE

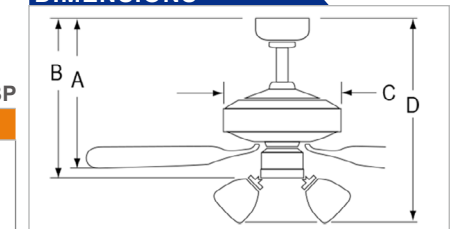
Model #	CFM		Power Use		Efficiency	Voltage
	High	Low	High	Low		
1069	5197	2283	50.28	10.52	103.4	120V

ORDERING GUIDE

Example: 1069BP-BP

Model	Motor / Blade Finish
1069	BP-BP Brushed Pewter / Brushed Pewter
	MBK-MBK Matte Black / Matte Black
	OB-OB Oil Rubbed Bronze / Oil Rubbed Bronze
	WW-WW White / White

DIMENSIONS



1069
A: 9-7/8" | C: 7-5/8" | D: 12-3/8"

Specifications and dimensions subject to change. Lumens are delivered unless otherwise noted. See website for most current information.

Sunset



5 Blades | 52" Sweep | Light Kit Adaptable

- AC Motor | 153 x 12mm | 3-Speed | Reversible
- 5 ABS Blades | 12° pitch | 4" downrod
- Pull Chain Standard | Remote or Wall Control Optional
- Light Kit Adaptable
- Wet Location Listed



OB-OB



MBK-MBK



WW-WW

PERFORMANCE

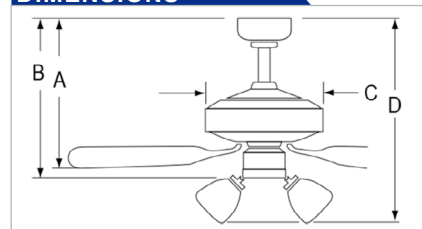
Model #	CFM		Power Use		Efficiency	Voltage
	High	Low	High	Low		
1015W	4246	2064	55.78	12.66	76.1	120V

ORDERING GUIDE

Example: 1015W-BP-BP

Model	Motor / Blade Finish
1015W	BP-BP Brushed Pewter / Brushed Pewter
	MBK-MBK Matte Black / Matte Black
	OB-OB Oil Rubbed Bronze / Oil Rubbed Bronze
	WW-WW White / White

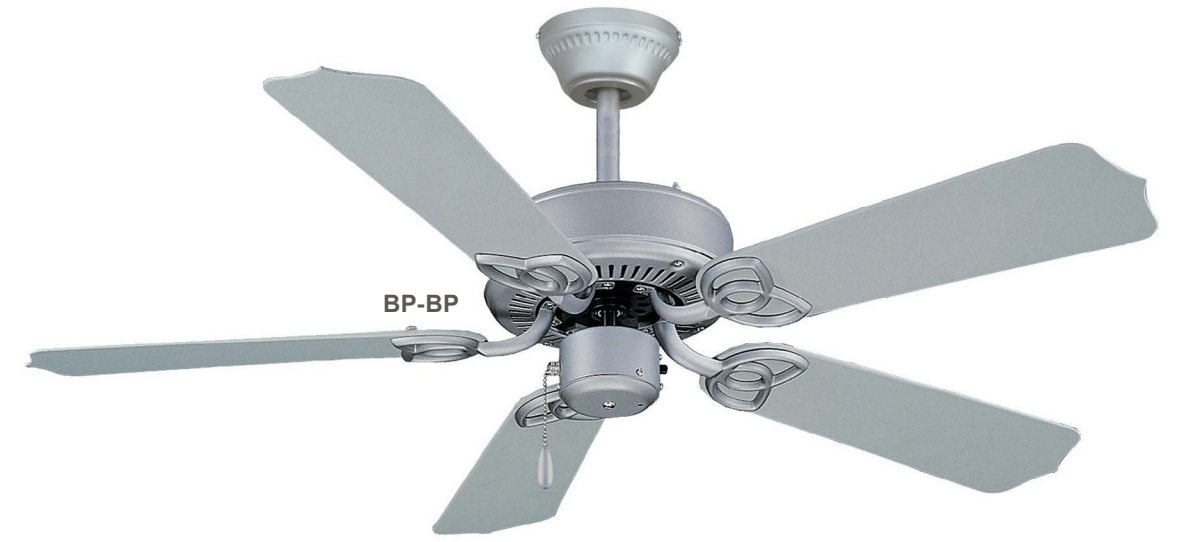
DIMENSIONS



1015W
A: 11" | B: 12-5/8" | C: 11-1/2"

Specifications and dimensions subject to change.
Lumens are delivered unless otherwise noted.
See website for most current information.

Sunset II



5 Blades | 42" Sweep | Light Kit Adaptable

- AC Motor | 153 x 9mm | 3-Speed | Reversible
- 5 ABS Blades | 12° pitch | 4" downrod
- Pull Chain Standard
- Light Kit Adaptable
- Wet Location Listed



WW-WW

PERFORMANCE

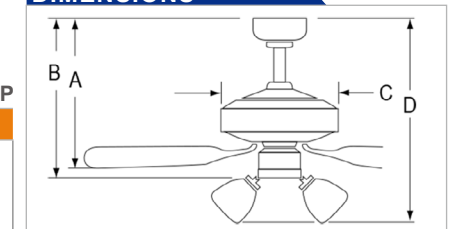
Model #	CFM		Power Use		Efficiency	Voltage
	High	Low	High	Low		
1016W	3076	1222	46.65	7.45	65.9	120V

ORDERING GUIDE

Example: 1016W-BP-BP

Model	Motor / Blade Finish
1016W	BP-BP Brushed Pewter / Brushed Pewter
	WW-WW White / White

DIMENSIONS



1016W
A: 10" | B: 11-1/2" | C: 9"

Specifications and dimensions subject to change.
Lumens are delivered unless otherwise noted.
See website for most current information.

Arctic



7 Blades | 70" Sweep | Light Kit Adaptable

- DC Motor | 180 x 17mm | 3-Speed | Reversible
- 7 Aluminum Blades | 15° pitch | 8" & 24" downrod included, Additional downrod lengths available as accessory, use ER series
- 1070W: WCD-70 Wall Control Included, Optional RC-7 Remote Control
- Light Kit Adaptable
- Wet Location Listed

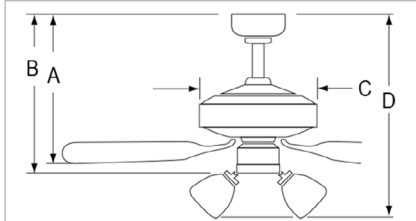


OB-OB



WW-WW

DIMENSIONS



1070W
A: 13-7/8" | C: 8-5/8" | D: 16-5/8"

PERFORMANCE

Model #	CFM		Power Use		Efficiency	Voltage
	High	Low	High	Low		
1070W	10012	5032	39.92	6.45	250.8	120V

ORDERING GUIDE

Example: 1070W-BP-BP-WC

Model	Motor / Blade Finish	Control
1070W-70" Sweep	BP-BP Brushed Pewter / Brushed Pewter OB-OB Oil Rubbed Bronze / Oil Rubbed Bronze WW-WW White / White	-WC wall control included

Arctic



7 Blades | 80" Sweep | Light Kit Adaptable

- DC Motor | 180 x 17mm | 3-Speed | Reversible
- 7 Aluminum Blades | 15° pitch | 8" & 24" downrod included, Additional downrod lengths available as accessory, use ER series
- 1080W: WCD-80 Wall Control Included, Optional RC-9 Remote Control
- Light Kit Adaptable
- Wet Location Listed

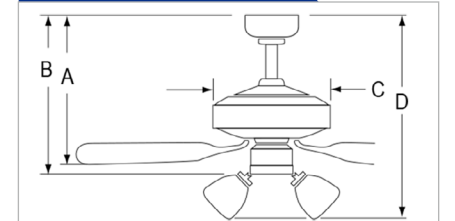


OB-OB



WW-WW

DIMENSIONS



1080W
A: 13-7/8" | C: 8-5/8" | D: 16-5/8"

PERFORMANCE

Model #	CFM		Power Use		Efficiency	Voltage
	High	Low	High	Low		
1080W	11274	6707	46.94	9.91	240.2	120V

ORDERING GUIDE

Example: 1080W-BP-BP-WC

Model	Motor / Blade Finish	Control
1080W-80" Sweep	BP-BP Brushed Pewter / Brushed Pewter OB-OB Oil Rubbed Bronze / Oil Rubbed Bronze WW-WW White / White	-WC wall control included

Arctic II



8 Blades | 68" Sweep | Light Kit Adaptable

- 188 x 25mm | Variable Speed | Reversible
- 8 Aluminum Blades | 15° pitch
8" & 24" downrods included
- Wall Control Included | Optional Remote Control
- 1086LED: Optional Light Kit: 1RP69-1LED, 1RP98LED
- Wet Location Listed



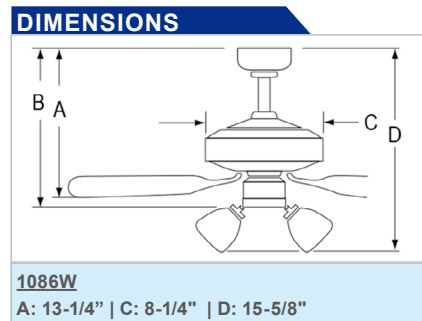
BP-BP



OB-OB



WW-WW



PERFORMANCE

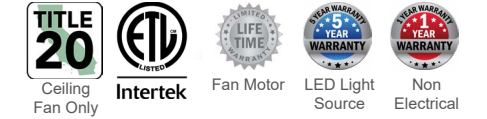
Model #	CFM		Power Use		Efficiency	Voltage
	High	Low	High	Low		
1086W	7024	2730	90.85	18.89	77.3	120V

ORDERING GUIDE

Model	Motor / Blade Finish	Control
1086W Light Kit Adaptable	BP-BP Brushed Pewter / Brushed Pewter	-WC wall control included
	OB-OB Oil Rubbed Bronze / Oil Rubbed Bronze	
	MBK-MBK Matte Black / Matte Black	
	WW-WW White / White	

Example: 1086W-BP-BP-WC

Aldea X



6 Blades | 60" Sweep | Integrated LED

- AC Motor | 172 x 14mm | 3-Speed | Reversible
- 6 Plywood Blades | 10.5° pitch | 4" downrod included, Additional downrod lengths available as accessory
- Pull Chain Standard | Remote and Wall Control Optional
- 1060LED: Integrated LED Light Kit: 17W LED
1250 lms (source) 1160 lms (delivered)
3000K, 90 CRI, Dimmable



BN-BN



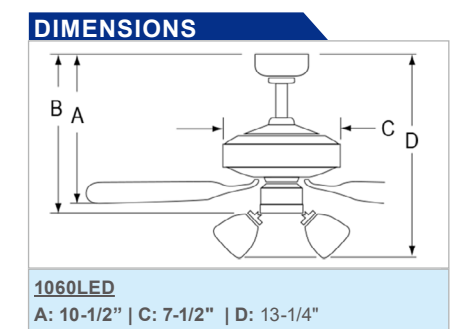
OB-OB



BK-BK



WW-WW



PERFORMANCE

Model #	CFM		Power Use		Efficiency	Voltage
	High	Low	High	Low		
1060LED	5326	1915	70.41	9.14	75.6	120V

ORDERING GUIDE

Model	Motor / Blade Finish
1060LED Integrated LED Light Kit	BN-BN Brushed Nickel / Brushed Nickel
	BK-BK Black / Black
	MBK-MBK Matte Black / Matte Black
	OB-OB Oil Rubbed Bronze / Oil Rubbed Bronze
	WW-WW White / White

Example: 1060LED-BN-BN

Aldea X



6 Blades | 60" Sweep | Light Kit Adaptable

- AC Motor | 172 x 14mm | 3-Speed | Reversible
- 6 Plywood Blades | 10.5° pitch | 4" downrod included, Additional downrod lengths available as accessory
- Pull Chain Standard | Remote and Wall Control Optional
- 1060: Light Kit Adaptable



BN-BN



OB-OB



BK-BK



WW-WW

PERFORMANCE

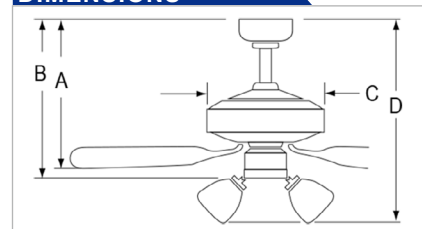
Model #	CFM		Power Use		Efficiency	Voltage
	High	Low	High	Low		
1060	5326	1915	70.41	9.14	75.6	120V

ORDERING GUIDE

Example: 1060-BN-BN

Model	Motor / Blade Finish
1060	BN-BN Brushed Nickel / Brushed Nickel
	BK-BK Black / Black
	MBK-MBK Matte Black / Matte Black
	OB-OB Oil Rubbed Bronze / Oil Rubbed Bronze
	WW-WW White / White

DIMENSIONS



1060
A: 10-1/2" | C: 7-1/2" | D: 12-1/8"

Specifications and dimensions subject to change. Lumens are delivered unless otherwise noted. See website for most current information.

Industrial



3 Blades | 56" Sweep | Metal Blades

- AC Motor | 194 x 16mm | 1-Speed | 1-Direction
- 3 Metal Blades | 11° pitch
- 12" downrod included
- Multiple Speeds Available with Optional Wall Control WC-3



WW-WW

PERFORMANCE

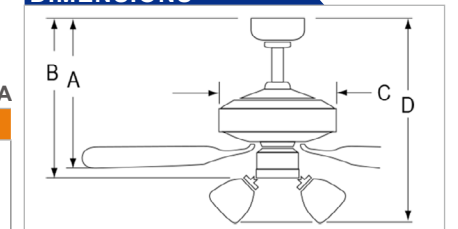
Model #	CFM		Power Use		Efficiency	Voltage
	High	Low	High	Low		
1091	7876		58.9		133.7	120V

ORDERING GUIDE

Example: 1091BA-BA

Model	Motor / Blade Finish
1091	BA-BA Brushed Aluminum / Brushed Aluminum
	WW-WW White / White

DIMENSIONS



1091
A: 19" | C: 8" | D: 21"

Specifications and dimensions subject to change. Lumens are delivered unless otherwise noted. See website for most current information.

Star Light



MBK-MBK

5 Blades | 52" Sweep | Integrated LED

- AC Motor | 172 x 18mm | 3-Speed | Reversible
- 5 MDF Blades | 10° pitch | 5" downrod included
- Pull Chain Standard | Remote or Wall Control Optional
- LED Light Kit Included: (3x) Candelabra E12 Socket (3x) 4.5W LED bulbs included, 1200 lms (source), 988 lms (delivered), 3000K, CRI 80, Dimmable



OB-WT



BN-WT



WW-WW



BN-WT (reversed blades)

PERFORMANCE

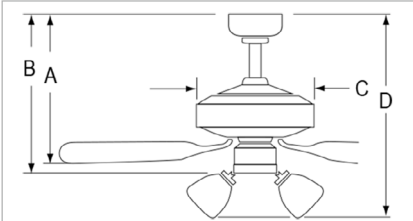
Model #	CFM		Power Use		Efficiency	Voltage
	High	Low	High	Low		
1057-1-L	4133	2152	42.32	13.97	97.7	120V

ORDERING GUIDE

Model	Motor / Blade Finish	Light Kit
1057-1	BN-WT* Brushed Nickel / Walnut* MBK Matte Black / Matte Black WW-WW Matte White / Matte White OB-WT** Oil Rubbed Bronze / Walnut**	-L : Light Kit Included

* Brushed Nickel blade finish on one side and Walnut blade finish on other side
 ** Oil Rubbed Bronze blade finish on one side and Walnut blade finish on other side

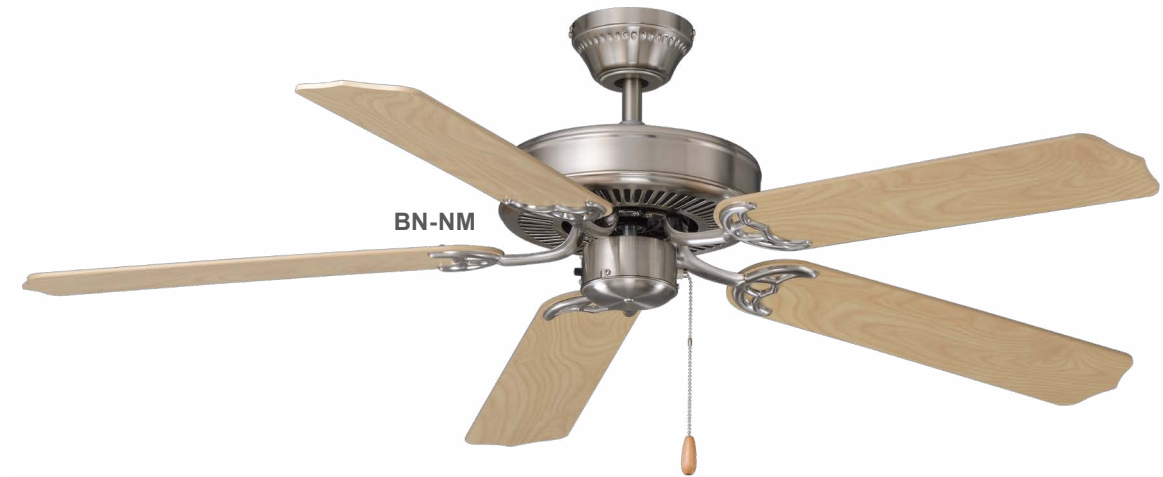
DIMENSIONS



1057-1-L
 A: 11-5/8" | C: 11" | D: 19"

Specifications and dimensions subject to change.
 Lumens are delivered unless otherwise noted.
 See website for most current information.

Desert Moon



BN-NM

5 Blades | 52" Sweep | Light Kit Adaptable

- AC Motor | 172 x 14mm | 3-Speed | Reversible
- 5 MDF Blades | 11.5° pitch | 4" downrod
- Pull Chain Standard | Remote or Wall Control Optional
- Light Kit Adaptable
- Energy Star Listed



BN-RW



BN-WT



MBK-MBK



BN-WW

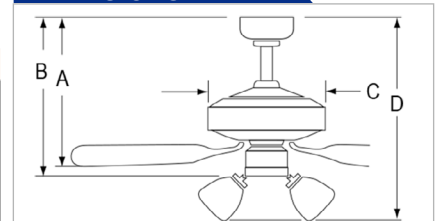
PERFORMANCE

Model #	CFM		Power Use		Efficiency	Voltage
	High	Low	High	Low		
1032-1	5017	2221	49.84	10.74	100.7	120V

ORDERING GUIDE

Model	Motor / Blade Finish	Example: 1032-1BN-BN
1032-1 Light Kit Adaptable	BN-BN	Brushed Nickel / Brushed Nickel
	BN-NM	Brushed Nickel / Natural Maple
	BN-RW	Brushed Nickel / Rosewood
	BN-WW	Brushed Nickel / White
	BN-WT	Brushed Nickel / Walnut
	MBK-MBK	Matte Black / Matte Black
	OB-WT	Oil Rubbed Bronze / Walnut
WW-WW	White / White	

DIMENSIONS



1032-1
 A: 11-7/8" | B: 12-5/8" | C: 11"

Specifications and dimensions subject to change.
 Lumens are delivered unless otherwise noted.
 See website for most current information.

Royal Star



5 Blades | 52" Sweep | Light Kit Adaptable

- AC Motor | 153 x 12mm | 3-Speed | Reversible
- 5 MDF Blades | 12° pitch | 4" downrod
- Pull Chain Standard | Remote or Wall Control Optional
- Light Kit Adaptable



MBK-MBK



BN-NM



WW-WW



BN-RW



BN-BN



BN-WW



BN-WT

PERFORMANCE

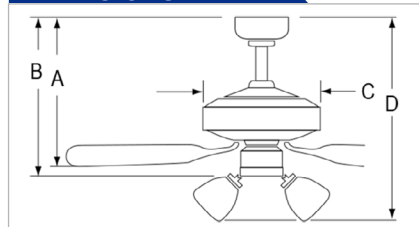
Model #	CFM		Power Use		Efficiency	Voltage
	High	Low	High	Low		
1052	4100	1796	61.04	13.3	77.4	120V

ORDERING GUIDE

Example: 1052BN-BN

Model	Motor / Blade Finish	
1052 Light Kit Adaptable	BN-BN	Brushed Nickel / Brushed Nickel
	BN-NM	Brushed Nickel / Natural Maple
	BN-WT	Brushed Nickel / Walnut
	BN-WW	Brushed Nickel / White
	BN-RW	Brushed Nickel / Rosewood
	OB-WT	Oil Rubbed Bronze / Walnut
	WW-WW	White / White
MBK-MBK	Matte Black / Matte Black	

DIMENSIONS



1052
A: 10-1/16" | C: 11" | D: 11-5/8"

Specifications and dimensions subject to change.
Lumens are delivered unless otherwise noted.
See website for most current information.

Royal Knight



5 Blades | 42" Sweep | Light Kit Adaptable

- 1053: AC Motor | 42" Sweep | 153 x 9mm | 3-Speed | Reversible
- 5 MDF Blades | 12° pitch | 4" downrod
- Pull Chain Standard | Remote or Wall Control Optional
- Light Kit Adaptable



WW-WW

PERFORMANCE

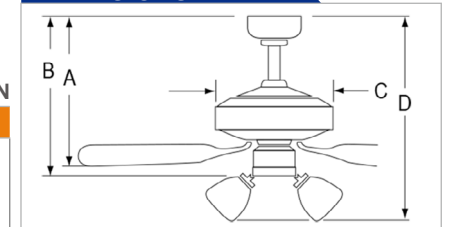
Model #	CFM		Power Use		Efficiency	Voltage
	High	Low	High	Low		
1053	3195	1159	47.41	7.89	67.4	120V

ORDERING GUIDE

Example: 1053BN-BN

Model	Motor / Blade Finish	
1053 42" Sweep	BN-NM	Brushed Nickel / Natural Maple
	WW-WW	White / White

DIMENSIONS



1053
A: 9-3/4" | C: 9" | D: 11-1/2"

Specifications and dimensions subject to change.
Lumens are delivered unless otherwise noted.
See website for most current information.

Royal Knight



5 Blades | 30" Sweep | Light Kit Adaptable

- 1054: AC Motor | 30" Sweep | 153 x 9mm | 3-Speed | Reversible
- 5 MDF Blades | 12° pitch | 4" downrod
- Pull Chain Standard | Remote or Wall Control Optional
- Light Kit Adaptable



WW-WW

PERFORMANCE

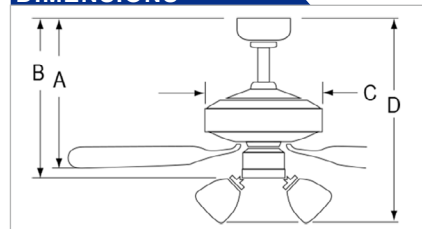
Model #	CFM		Power Use		Efficiency	Voltage
	High	Low	High	Low		
1054	2640	58.6	28	7.5	94.3	120V

ORDERING GUIDE

Example: 1054BN-BN

Model	Motor / Blade Finish
1054	BN-NM Brushed Nickel / Natural Maple
30" Sweep	WW-WW White / White

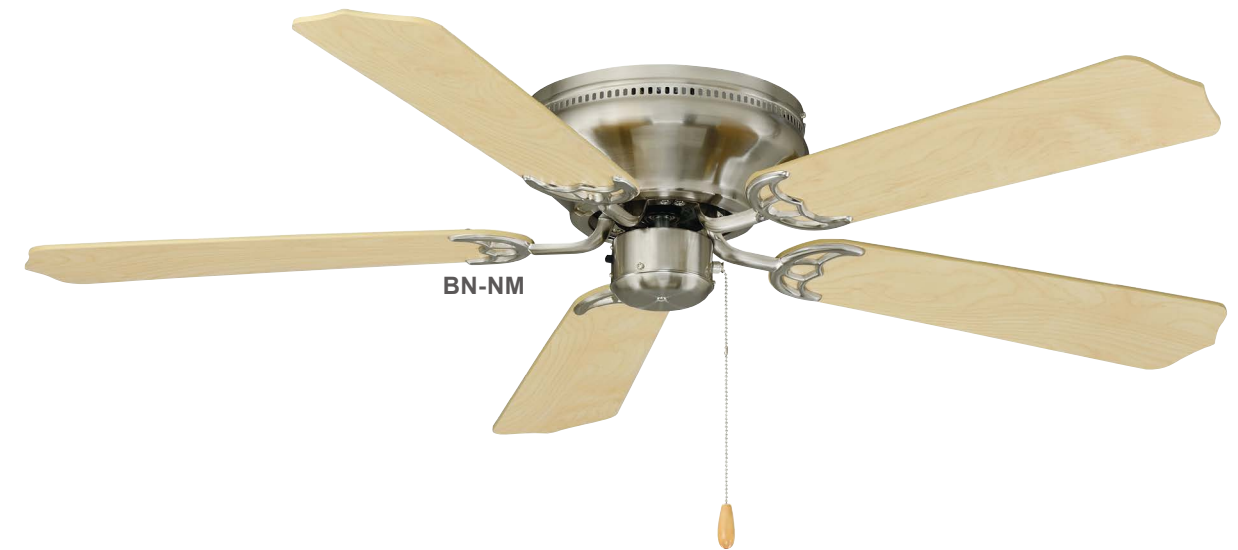
DIMENSIONS



1054
A: 9-3/4" | C: 9" | D: 11-1/2"

Specifications and dimensions subject to change.
Lumens are delivered unless otherwise noted.
See website for most current information.

Royal Knight Hugger



5 Blades | 52" Sweep | Light Kit Adaptable

- 1062-1: AC Motor | 52" Sweep | 153 x 15mm | 3-Speed | Reversible
- 5 MDF Blades | 13.5° pitch
- Pull Chain Standard | Remote or Wall Control Optional
- Flush Mount



OB-WT



WW-WW

PERFORMANCE

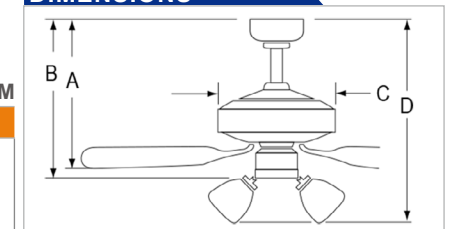
Model #	CFM		Power Use		Efficiency	Voltage
	High	Low	High	Low		
1062-1	2608	1243	47.04	13.58	55.4	120V

ORDERING GUIDE

Example: 1062-1BN-NM

Model	Motor / Blade Finish
1062-1	BN-NM Brushed Nickel / Natural Maple
52" Sweep	OB-WT Oil Rubbed Bronze / Walnut
	WW-WW White / White

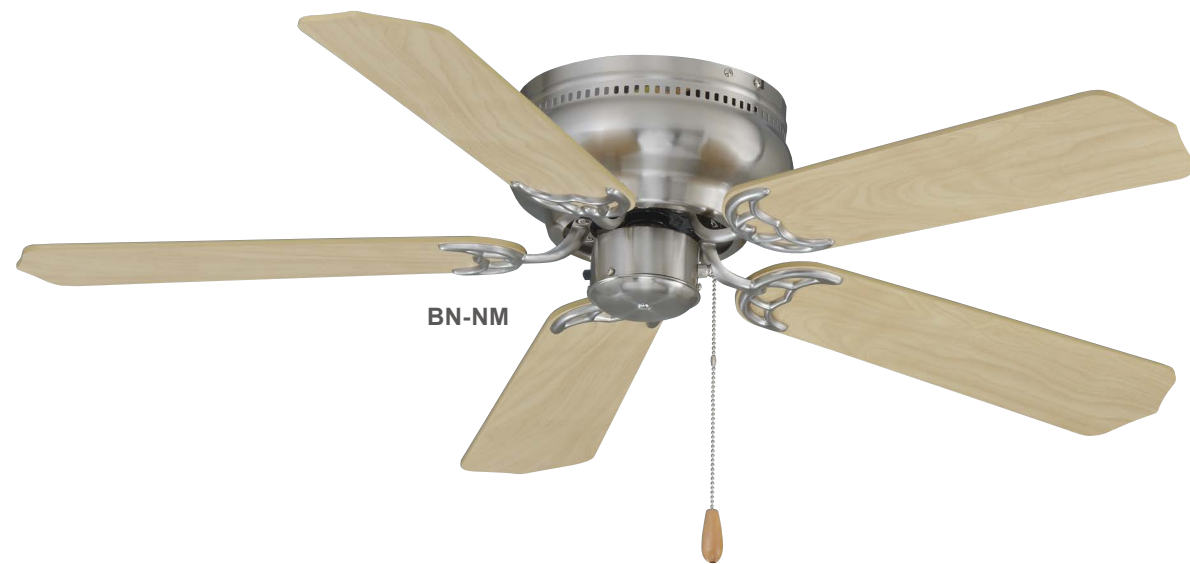
DIMENSIONS



1062-1
A: 5-3/4" | C: 11" | D: 8-1/4"

Specifications and dimensions subject to change.
Lumens are delivered unless otherwise noted.
See website for most current information.

Royal Knight Hugger



5 Blades | 42" Sweep | Light Kit Adaptable

- 1063-1: AC Motor | 42" Sweep | 153 x 12mm | 3-Speed | Reversible
- 5 MDF Blades | 13.5° pitch
- Pull Chain Standard | Remote or Wall Control Optional
- Flush Mount



OB-WT



WW-WW

PERFORMANCE

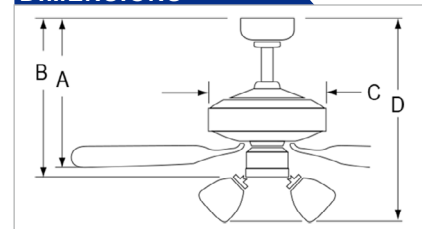
Model #	CFM		Power Use		Efficiency	Voltage
	High	Low	High	Low		
1063-1	2684	1025	43.83	9.93	61.2	120V

ORDERING GUIDE

Example: 1063-1BN-NM

Model	Motor / Blade Finish
1063-1 42" Sweep	BN-NM Brushed Nickel / Natural Maple OB-WT Oil Rubbed Bronze / Walnut WW-WW White / White

DIMENSIONS



1063-1
A: 5" | C: 9-1/5" | D: 8-1/2"

Specifications and dimensions subject to change.
Lumens are delivered unless otherwise noted.
See website for most current information.

Royal Knight Hugger



5 Blades | 30" Sweep | Light Kit Adaptable

- 1064-1: AC Motor | 30" Sweep | 153 x 12mm | 3-Speed | Reversible
- 5 MDF Blades | 13.5° pitch
- Pull Chain Standard | Remote or Wall Control Optional
- Flush Mount



OB-WT



WW-WW

PERFORMANCE

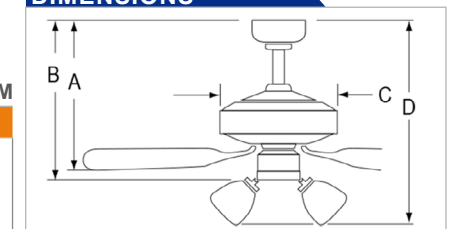
Model #	CFM		Power Use		Efficiency	Voltage
	High	Low	High	Low		
1064-1	2122	775	40.8	10.04	52	120V

ORDERING GUIDE

Example: 1064-1BN-NM

Model	Motor / Blade Finish
1064-1 30" Sweep	BN-NM Brushed Nickel / Natural Maple OB-WT Oil Rubbed Bronze / Walnut WW-WW White / White

DIMENSIONS



1064-1
A: 5" | C: 9-1/5" | D: 8-1/2"

Specifications and dimensions subject to change.
Lumens are delivered unless otherwise noted.
See website for most current information.

Energy Star Ceiling Fan Light Kit



WW



BN



OB



MBK-MBK



BK

Energy Star Listed | cETLus Damp Listed

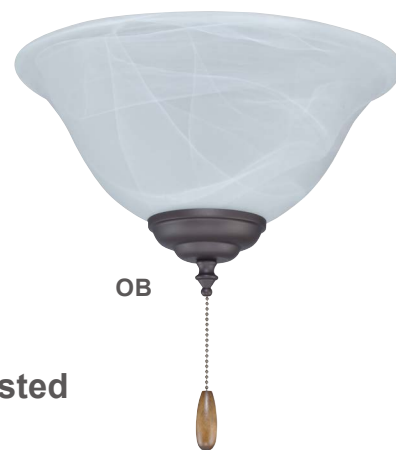
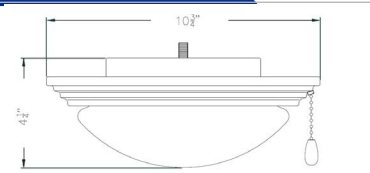
- 120V-60Hz
- 2 x 9W | E26 A19 LED | Dimmable | 3000K | 90 CRI | Lamps Included
- Shade: Satin White Glass
- Replacement Glass: 1RP8X-G

ORDERING GUIDE

Example: 1RP8WW-ES

Model	Finish	Energy Star
1RP8	BN	Brushed Nickel
	BK	Black
	OB	Oil Rubbed Bronze
	MBK	Matte Black
	WW	White
	-ES	Energy Star

DIMENSIONS



OB



BN-SG



WW



BK

Energy Star Listed | cETLus Damp Listed

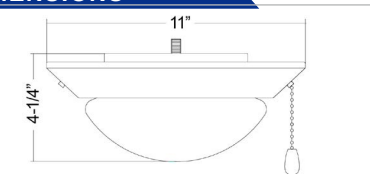
- 120V - 60Hz
- 3 x 9W | E26 A19 LED | Dimmable | 3000K | 90 CRI | Lamps Included
- 1RP18-ES: Alabaster Glass Shade
- 1RP18-SG-ES: White Satin Glass Shade
- Replacement Glass: 1RP18G, 1RP18SG

ORDERING GUIDE

Example: 1RP18BN-SG-ES

Model	Finish	Glass	Energy Star
1RP18	BN	Brushed Nickel	
	BK	Black	
	OB	Oil Rubbed Bronze	
	OB	White Satin Glass	
	WW	White	
	-SG	Alabaster Glass	
	-ES	Energy Star	

DIMENSIONS



Energy Star Ceiling Fan Light Kit



BN



WW

Energy Star Listed | cETLus Damp Listed

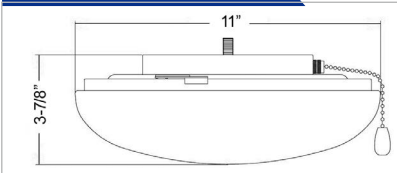
- 120-60 Hz
- 2 x 9W | E26 A19 LED | Dimmable | 3000K | 90 CRI | Lamps Included
- Shade: Satin White Acrylic lens
- Replacement Lens: 1RP22G

ORDERING GUIDE

Example: 1RP22WW-ES

Model	Finish	Energy Star
1RP22	BN	Brushed Nickel
	WW	White
	-ES	Energy Star

DIMENSIONS



BN



MBK-MBK



WW



OB

Energy Star Listed | cETLus Damp Listed

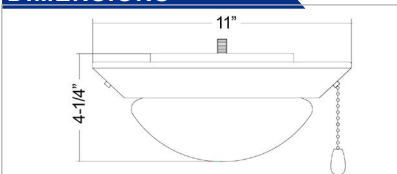
- 120-60 Hz
- 2 x 9W | E26 A19 LED | Dimmable | 3000K | 90 CRI | Lamps Included
- Shade: Satin White Glass
- Replacement Glass: 1RP82-G

ORDERING GUIDE

Example: 1RP82OB-ES

Model	Finish	Energy Star
1RP82	BN	Brushed Nickel
	OB	Oil Rubbed Bronze
	MBK	MBK
	MBK	White
	WW	White
	-ES	Energy Star

DIMENSIONS



Energy Star LED Light Kits



Compatible with any Light Kit Adaptable RP Lighting + Fans ceiling fan.

White (WW), Brushed Nickel (BN), Brushed Pewter (BP), Black (BK), Matte Black (MBK), or Oil Rubbed Bronze (OB)

- 120V - 60Hz
- Dimmable
- Durable Steel and Satin Glass
- Energy Star Listed
- cETLus Listed

1RP31_-LED BN, WW

17W | 1000 lms | 3000K | 90 CRI
W 10" x H 4-1/4"



1RP84_-LED BN, BK, OB, WW

17W | 890 lms | 3000K | 90 CRI
W 11" x H 5"



1RP83_-LED BN, OB, WW

17W | 950 lms | 3000K | 90 CRI
W 8" x H 2"



1RP88LED-_ BN, BK, BP, OB, WW

17W | 1200 lms | 3000K | 90 CRI
W 7-3/8" x H 1"
Use with Wall or Remote control only
No Pull Chain



1RP89LED-_ BN, BK, OB, WW

12W | 840 lms | 3000K | 90 CRI
W 7-3/8" x H 1"
Use with Wall or Remote control only
No Pull Chain



1RP69-1LED-_ BP, MBK, OB, WW

12W | 700 lms | 3000K | 90 CRI
W 7-5/8" x H 1-3/4"



1RP98LED-3K BP, MBK, OB, WW

12W | 840 lms | 3000K | 90 CRI
W 7-3/8" x H 1"
Use with Wall or Remote control only
No Pull Chain



Integrated LED Light Kit

Compatible with any Light Kit Adaptable RP Lighting + Fans ceiling fan.

1RP32-LED BN, BK, OB, WW

17W | 1040 lms | 3000K | 80 CRI
W 11" x H 3-7/8"



E26 LED Light Kits

Compatible with any Light Kit Adaptable RP Lighting + Fans ceiling fan.

1RP28_-E26-L BP, MBK, OB, WW

Opal Glass
120V | 3 x 9W | E26 A19 LED |
Dimmable | 3000K | 90 CRI
Lamps Included
W 9-3/4" x H 5-5/8"



Specifications and dimensions subject to change.
Lumens are delivered unless otherwise noted.
See website for most current information.

Light Fitters



Compatible with any Light Kit Adaptable RP Lighting + Fans ceiling fan.

Available in White (WW), Brushed Nickel (BN), Brushed Pewter (BP), Black (BK), Matte Black (MBK), or Oil Rubbed Bronze (OB) finishes

- 120V - 60 Hz
- E26 A19 LED | Dimmable | 3000K | 80 CRI | Lamps Included
- Match with appropriate Shade Glass (sold separately)
- cETLus Listed for damp location

LK10_-E26-L BN, OB, WW, MBK

1 x 9.5W E26 A19 LED



LK12_-E26-L BP, MBK, OB, WW

1 x 9.5W E26 A19 LED
Wet Listed



LK30_-E26-L BN, MBK, OB, WW

3 x 9.5W E26 A19 LED



LK412_-E26-L BN, MBK, OB, WW

4 x 9.5W E26 A19 LED



Side / Center Glass Shades

2004CG

2-1/4" Clear Glass
Use with LK30-E26-L,
LK412-E26-L



2004FG

2-1/4" Frosted Glass
Use with LK30-E26-L,
LK412-E26-L



2015CG

2-1/4" Clear Glass
Use with LK30-E26-L,
LK412-E26-L



2015FG

2-1/4" Frosted Glass
Use with LK30-E26-L,
LK412-E26-L



2021G

2-1/4" Opal Glass
Use with LK30-E26-L,
LK412-E26-L



2061G

2-1/4" Alabaster Glass
Use with LK30-E26-L,
LK412-E26-L



3001G

4" White Opal Schoolhouse
Use with LK10-E26-L,
LK12-E26-L



Specifications and dimensions subject to change.
Lumens are delivered unless otherwise noted.
See website for most current information.

Light Kit Covers

To be used to cover up integrated LED and E26 Light Kits when not needed.

Available in White (WW), Oil Rubbed Bronze (OB), or Brushed Nickel (BN)

LC-WW-102

White Steel
6-3/8" Diameter
For use with Fans: 1021-PC, 1022-PC, 1023-PC, and 1024-PC



LC-WW-79

White Steel
8-1/3" Diameter
For use with Fans: 1004, 1005, 1007, 1008, 1025, 1041, 1042, 1043, 1044, 1045, 1049, 1078, and 1079



LC-OB-102

Oil Rubbed Bronze Steel
6-3/8" Diameter
For use with Fans: 1021, 1022, 1023, 1024, and 1088LED



LC-OB-79

Oil Rubbed Bronze Steel
8-1/3" Diameter
For use with Fans: 1004, 1005, 1007, 1008, 1025, 1041, 1042, 1043, 1044, 1045, 1049, 1078, and 1079



LC-BN-102

Brushed Nickel Steel
6-3/8" Diameter
For use with Fans: 1021-PC, 1022-PC, 1023-PC, and 1024-PC



LC-BN-79

Brushed Nickel Steel
8-1/3" Diameter
For use with Fans: 1004, 1005, 1007, 1008, 1025, 1041, 1042, 1043, 1044, 1045, 1049, 1078, and 1079

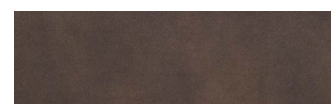


LC-BK-79

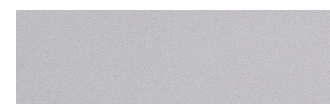
Black Steel
8-1/3" Diameter
For use with Fans: 1004, 1005, 1007, 1008, 1025, 1041, 1042, 1043, 1044, 1045, 1049, 1078, and 1079



Fan Motor Finishes



OB-Oil Rubbed Bronze



BN-Brushed Nickel



BK-Black



MBK-Matte Black



WW-White



BP-Brushed Pewter
OUTDOOR

Specifications and dimensions subject to change.
Lumens are delivered unless otherwise noted.
See website for most current information.

Wall Controls



Most RP Lighting Fans have a Pull Chain as the standard control for 3-speed or 4-speed control. On the fan motor, there is also a forward/reverse switch to control the flow of air for cooling or warming. RP Lighting + Fans offers a full range of wall-mounted remote controls. (Sold Separately)

WC-3

- 2 Wire installation
- Rotary
- 4 speed fan control
- White knob included
- Face plate not included



WC-8

- White Finish
- Dual slide
- 4 speed fan control
- 3 Wire installation
- Full range light dimming
- Compatible with LED, CFL and Incandescent



WC-4

- White Finish
- Single slide
- 2 Wire installation
- 3 speed fan control
- Designed only for multiple fan use
- Fan up to 5 Amps



WC-13

- White Finish
- Single slide
- 2 Wire installation
- 4 speed fan control
- Fan up to 1.25 Amps



WC-16

- White Finish
- Single slide with toggle
- 3 Wire installation
- 3 speed fan control
- On / Off Light Control
- Fan up to 1.25 Amps



Remote Controls



Our basic remote controls is sold separately and are adaptable to most of our fans throughout the line. They operate from a wireless radio frequency and with the touch of a button you can control the fan's three, or four, speeds and full range of light dimming from off to full bright at distances of up to 50 feet. This remote control system has a ceiling mounted receiver, a hand held 9-volt battery powered transmitter, and a wall mounting bracket.

RC-10

- Fan / Light Remote Control
- Canopy mount
- 3 speed fan control
- Full range light dimming
- Compatible with LED, CFL
- Universal with all fans



Specifications and dimensions subject to change.
Lumens are delivered unless otherwise noted.
See website for most current information.

Downrods & Connectors

Downrod Connector

For extra high ceilings - this coupler allows two downrods to be connected together.

Available in brushed nickel (BN), black (BK), oil rubbed bronze (OB), white (WW)



Downrods

1/2" Diameter decorative downrods are available in a variety of sizes and finishes. For best performance and appearance, use an extension downrod with your ceiling fan when installing on a sloped ceiling.

Downrod Model # / Length	Downrod Model # / Length									
	E12	E18	E24	E36	ER36*	E48	ER48*	E60	ER60*	E72
Finishes	X	X	X	X	X	X	X	X	X	X
White (WW)	X	X	X	X		X		X		X
Black (BK)	X	X	X	X	X	X		X		X
Brushed Nickel (BN)	X	X	X	X	X	X	X	X	X	X
Oil Rubbed Bronze (OB)							X		X	
Matte Black (MBK)	X	X	X	X	X	X	X	X	X	X

It is recommended that there is at least 7' of clearance under your ceiling fan blades - the standard 4" downrod should work in most 8' ceiling installation.

1/2" down rod connector joins two downrods together for extended lengths. Do not exceed 144" (two 72" downrods connected together is the maximum length recommended)

Downrod Model# / Length	Ceiling Height (in feet)						
	9'	10'	11'	12'	13'	14'	15'
12"	E12						
18"		E18					
24"			E24				
36"				E36			
48"					E48		
60"						E60	
72"							E72

Tear Drops



T-09 WH T-09 NM T-09 BK T-09 WT T-09 BN

Room Size Compatibility

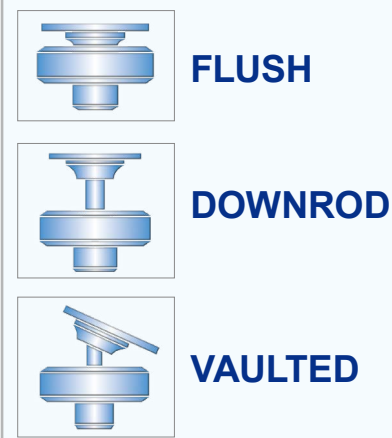
Measurements are for general air flow requirements only. Decorating plans or aesthetic considerations should influence your fan choices beyond these room size specifications.

For large rooms, multiple fans are recommended.

Blade Sweep	80"	70"	56" - 60"	50" - 52"	30" - 42"
Approximate Room Size	20' x 20' Over 200 sq. ft.	15' x 15' Over 180 sq. ft.	12' x 15' 160-180 sq. ft.	10' x 12' 100-150 sq. ft.	6' x 8' 40-60 sq. ft.

Hanging Systems

Tri-mount system (flush mount, standard mount and vaulted ceilings up to 45°)



Sloped Ceiling Adapter Kit

Slope adapters for ceiling pitch from 30° to 45°

Large ceiling mount bracket stabilizes the junction box in ceiling for a smoother and quieter performance.

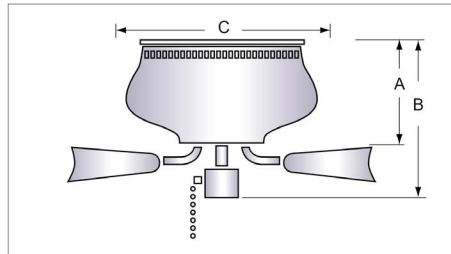
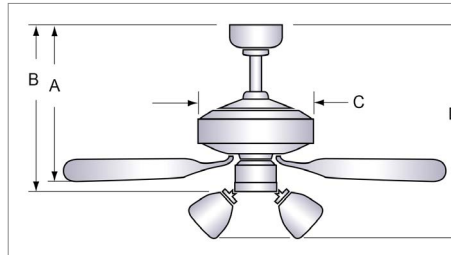


SA45 WW SA45 BN SA45 OB

Ceiling Fan Dimensions

Series	Model #	Dimensions (inches)			
		A	B	C	D
Europa	1004-E26-L	10-1/4"	--	10"	15-1/4"
Mirage	1005-E26-L	10-1/4"	--	10"	16"
Mirage	1005LED	10-1/4"	--	10"	16"
Europa I	1007-E26-L	10-1/2"	--	10"	16"
Europa I	1007LED	10-1/2"	--	10"	16"
Europa	1008LED	10-1/4"	--	10"	15-1/4"
Sunset	1015W	11"	12-5/8"	11-1/2"	--
Sunset II	1016W	10"	11-1/2"	9"	--
Sabio	1021-ES	7-1/4"	--	10-7/8"	7-1/2"
Sabio	1022-ES	7-1/4"	--	10-7/8"	7-1/2"
Metalis	1023-ES	7-1/4"	--	10-7/8"	7-1/2"
Metalis	1024-ES	7-1/4"	--	10-7/8"	7-1/2"
Mirage I	1025-E26-L	10-1/2"	--	10"	16"
Mirage I	1025LED	10-1/2"	--	10"	16"
Desert Moon	1032-1	11-7/8"	12-5/8"	11"	--
Europa II	1041-E26-L	10-1/4"	--	10"	15-1/4"
Europa II	1041LED	10-1/4"	--	10"	15-1/4"
Mirage II	1042E26-L	10-1/4"	--	10"	15-1/4"
Mirage II	1042LED	10-1/4"	--	10"	15-1/4"
Contempo IV	1043LED-1	10-1/4"	--	10"	15-1/4"
Europa IV	1044LED-1	10-1/4"	--	10"	15-1/4"
Mirage IV	1045LED-1	10-1/4"	--	10"	15-1/4"
Aldea III	1046-1	9-3/4"	12-1/4"	7-5/8"	-
Aldea III	1046LED-1	9-3/4"	12-1/4"	--	13"
Aldea IV	1047-1	9-3/4"	12-1/4"	7-5/8"	-
Aldea IV	1047LED-1	9-3/4"	12-1/4"	--	13"
Aldea VI	1048-1	9-3/4"	12-1/4"	7-5/8"	-
Aldea VI	1048LED-1	9-3/4"	12-1/4"	--	13"
Contempo II	1049-E26-L	10-1/4"	--	10"	15-1/4"
Contempo II	1049LED	10-1/4"	--	10"	15-1/4"
Royal Star	1052	10-1/16"	11-5/8"	11"	--
Royal Knight	1053	9-3/4"	11-1/2"	9"	--
Royal Knight	1054	9-3/4"	11-1/2"	9"	--
Star Light	1057-1-L	9-3/4"	12-1/4"	11"	18"
Royal Knight Hugger	1062-1	6-1/8"	8-1/4"	11"	--
Royal Knight Hugger I	1063-1	5"	8-1/2"	9-1/5"	--
Royal Knight Hugger I	1064-1	5"	8-1/2"	9-1/5"	--
Aldea V	1065	9-3/4"	12-1/4"	7-5/8"	-
Aldea V	1065LED	9-3/4"	12-1/4"	--	13"
Aldea VII	1067	9-7/8"	12-3/8"	7-5/8"	-
Aldea VIII	1068	9-7/8"	12-3/8"	7-5/8"	-
Aldea IX	1069	9-7/8"	12-3/8"	7-5/8"	-
Arctic	1070W	11-1/4"	17-1/4"	8-3/4"	--
Aldea	1071	9-3/4"	12-1/4"	6-7/8"	--
Aldea	1071LED	9-3/4"	--	6-7/8"	13"
Colibri	1072-PC	9-31/32"	13"	9"	--
Colibri	1072LED-PC	9-31/32"	--	9"	13-1/2"
Torque	1073-PC	9-1/2"	12"	6-1/2"	--
Torque	1073LED-PC	9-1/2"	--	6-1/2"	13"
Aldea II	1074	9-3/4"	12-1/4"	6-7/8"	--
Aldea II	1074LED	9-3/4"	--	6-7/8"	13"
Contempo I	1078-E26-L	10-1/2"	--	10"	16"
Contempo I	1078LED	10-1/2"	--	10"	16"
Contempo	1079-E26-L	10-1/4"	--	10"	16"
Contempo	1079LED	10-1/4"	--	10"	16"
Arctic	1080W	11-1/4"	17-1/4"	8-3/4"	--
Rio Grande	1088	14"	16-3/8"	5-15/16"	--
Rio Grande	1088LED	14"	16-3/8"	5-15/16"	--
Industrial	1091	19"	21"	8"	--

Dimension A and B are measured with standard downrod included with the fan.



Ceiling Fan Specifications

Model #	Blade Sweep	Motor Size (m/m)	Speed (RPM)		Airflow (CFM)	No. of Blades	Blades Pitch (Deg.)	Electricity Used Watts	Estimated Yearly Energy Cost	Airflow Efficiency	Amps	Capacitor
			High	Low								
1004-E26-L	50"	153 x 15	214	100	5351	4	12	61.96	11	86.4	0.52	3
1005-E26-L	50"	153 x 15	196	84	5149	5	12	59.6	11	86.4	0.5	3
1005LED	50"	153 x 15	196	84	5149	5	12	59.6	11	86.4	0.5	3
1007-E26-L	50"	153 x 15	228	109	5300	4	12	58.66	11	90.4	0.49	3
1007LED	50"	153 x 15	228	109	5300	4	12	58.66	11	90.4	0.55	3
1008LED	50"	153 x 15	214	100	5351	4	12	61.96	11	86.4	0.52	3
1015W	52"	153 x 12	166	79	4246	5	12	55.78	10	76.1	0.47	3
1016W	42"	153 x 9	220	90	3076	5	12	46.65	8	65.9	0.39	3
1021-ES	42"	153 x 9	232	97	3214	3	12	43.57	8	73.8	0.36	3
1022-ES	52"	153 x 14	189	84	4498	3	12	55.94	10	80.4	0.47	3
1023-ES	42"	153 x 9	210	84	3002	4	12	42.83	8	70.1	0.36	3
1024-ES	52"	153 x 14	177	81	4486	4	12	56.79	10	79.0	0.48	3
1025-E26-L	50"	153 x 15	204	89	5246	5	12	59.23	11	88.6	0.5	3
1025LED	50"	153 x 15	204	89	5246	5	12	59.23	11	88.6	0.5	3
1032-1	52"	172 x14	197	79	5017	5	11.5	49.84	9	100.7	0.47	3
1041-E26-L	44"	153 x 15	239	120	4255	4	12	49.48	10	86.0	0.42	3
1041LED	44"	153 x 15	239	120	4255	4	12	49.48	10	86.0	0.42	3
1042-E26-L	44"	153 x 12	217	111	4020	5	12	48.63	10	82.7	0.42	3
1042LED	44"	153 x 12	217	111	4020	5	12	48.63	10	82.7	0.42	3
1043LED-1	52"	172 x14	214	88	5540	3	12	49	9	113.1	0.46	3
1044LED-1	52"	172 x14	198	81	5454	4	12	49.21	9	110.8	0.46	3
1045LED-1	52"	172 x14	177	73	5224	5	12	50.16	9	104.1	0.47	3
1046-1	52"	172 x14	200	83	5538	3	11	50	9	110.8	0.45	3
1046LED-1	52"	172 x 14	198	81	5531	3	11	50.22	9	110.1	0.45	3
1047-1	52"	172 x14	184	74	5400	5	11	50.4	9	107.1	0.46	3
1047LED-1	52"	172 x 14	182	73	5420	5	11	50.5	9	107.3	0.46	3
1048-1	52"	172 x 14	171	70	5314	5	11	51	9	104.2	0.47	3
1048LED-1	52"	172 x 14	170	68	5333	5	11	51	9	104.6	0.47	3
1049-E26-L	44"	153 x 15	264	147	4361	3	12	47.71	10	91.4	0.41	3
1049LED	44"	153 x 15	264	147	4361	3	12	47.71	10	91.4	0.41	3
1052	52"	153 x 12	162	75	3020	5	12	39	11	77.4	0.51	3
1053	42"	153 x 9	217	88	3195	5	12	47.41	8	67.4	0.4	3
1054	30"	153 x 9	280	115	2640	5	16	28	8	94.3	0.37	3
1057-1-L	52"	153 x 12	162	75	3020	5	12	39	11	77.4	0.51	3
1062-1	52"	153 x 15	156	74	2608	5	12	47.04	9	55.4	0.4	3
1063-1	42"	153 x 12	200	85	2684	5	12	43.83	8	61.2	0.37	3
1064-1	30"	153 x 12	307	139	2122	5	12	40.8	7	52.0	0.34	3
1065	52"	153 x 12	174	73	5156	5	11	58.64	10	87.9	0.49	3
1065LED	52"	153 x 12	174	73	5156	5	11	58.64	10	87.9	0.49	3
1067	52"	172 x 14	209	83	5600	5	11	50.9	9	110.0	0.46	3
1068	52"	172 x 14	190	73	5500	5	11	50.5	9	108.9	0.46	3
1069	52"	172 x 14	164	64	5197	5	11	50.28	9	103.4	0.46	3
1070W	70"	180 x 17	145	76	10012	7	15	39.92	7	250.8	0.58	0
1071	52"	153 x 12	195	73	4899	4	11	57	10	85.9	0.5	3
1071LED	52"	153 x 12	177	71	4945	4	11	57.63	10	85.8	0.48	3
1072-PC	60"	188 x 12	182	58	7827	3	11	65.46	11	119.6	0.54	3
1072LED-PC	60"	188 x 12	174	57	7681	3	11	61.18	11	125.5	0.538	3
1073-PC	52"	153 x 18	204	79	5666	3	11	60	10	94.4	0.5	3
1073LED-PC	52"	153 x 18	204	79	5666	3	11	60	10	94.4	0.5	3
1074	52"	153 x 12	196	78	5062	3	11	57.38	10	88.2	0.48	3
1074LED	52"	153 x 12	194	78	5062	3	11	57.45	10	88.1	0.48	3
1078-E26-L	50"	153 x 15	234	106	5449	3	12	57.26	11	95.2	0.48	3
1078LED	50"	153 x 15	234	106	5449	3	12	57.26	11	95.2	0.48	3
1079-E26-L	50"	153 x 15	229	100	5204	3	12	57.74	11	90.1	0.48	3
1079LED	50"	153 x 15	229	100	5204	3	12	57.74	11	90.1	0.48	3
1080W	80"	181 x 17	101	61	11274	7	18	46.94	9	240.2	0.66	0
1088	88"	155 x 20	102	49	10956	3	16	44.37	8	246.9	0.63	0
1088LED	88"	155 x 20	102	49	10066	3	16	44.37	8	226.9	0.63	0
1091	56"	194 x 16	310	100	7876	3	10	58.9	-	133.7	0.491	1

Except industrial fan model #1091, all ceiling fans measured airflow according to DOE test method, all estimates based on typical use, excluding lights.

Energy Saving Features

Oversized, Triple Mounting Systems and heavy duty die cast hanging ball which eliminates wobble problems and provides maximum angles up to 35° for sloped and vaulted ceiling.

Precision ground solid steel motor shaft fixed into stators, create no wobble and friction.

Self-lubrication, permanently **double sealed ball bearings**.

Pure aluminum die cast rotors provide the most energy efficiency possible.

Motor housing is stamped or die casted, **triple plated and double casted** with corrosion resistors. Housings are matched for a perfect fit.

Heavy duty copper wiring.

Detachable switch housing with pre-wired plug in connector makes installation quick and easy. Light kit adaptable.

Heavy duty, **UL approved switches** give constant speed and action through entire operation and warranty.

Triple capacitors for more silent operation.

52" or 76" lead wire on downrod ceiling fans, virtually eliminates splicing to accommodate longer downrod.

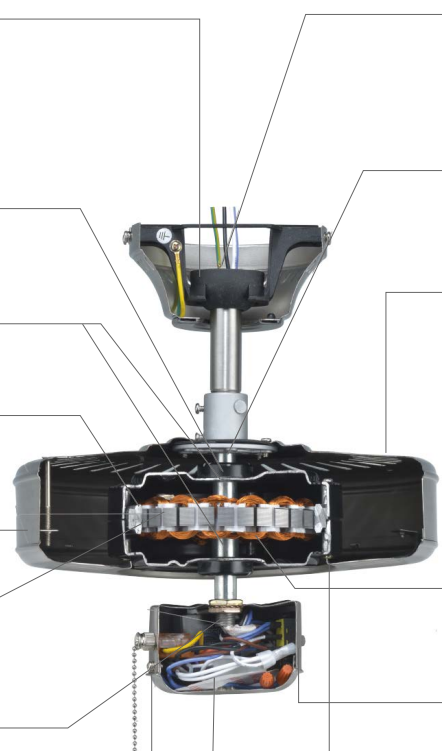
Maximum security, dual locking system, Threaded coupling to fit downrod tightly **Safety cable installed**.

No motor burn out from heat built up because our 16 pole motors have fiberglass insulation and silicon steel laminations.

Lifetime quality, vacuum dipped and lacquered stator provides constant magnetic operation.

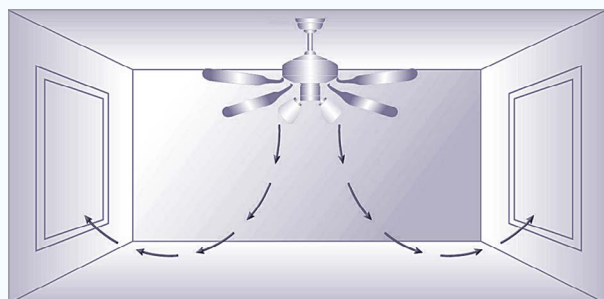
3 speed with reversible switch can be used for summer/winter air flow.

DC Motors are utilized for maximum efficiency on our largest fans (1070W, 1080W).



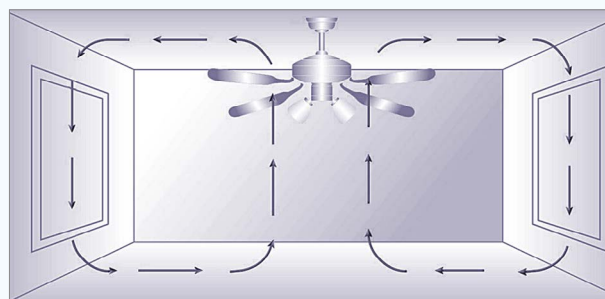
Summer

In the warm months of summer, switch your fan to turn counter clockwise in order to make your room feel up to 7°C cooler.



Winter

In the cooler months of autumn and winter, switch your fan to turn clockwise in order to recirculate the hot air that has been trapped near the ceiling.





Recessed Lighting Housing Overview

Commercial Housing



8320H
2" Round Frame-In LED
Page 77



8321H
2" Square Frame-In LED
Page 78



8120H
4" LED Frame-In
Page 79



8120HIC
4" LED IC Airtight Frame-In
Page 80



8121H
4" LED Architectural Housing
Page 81



8216-1FR-JB
4" LED 2-Hour Fire Rated
Page 82



8199HICA-FR
6" LED 2-Hour Fire Rated
Page 83



8116HIC
6" LED IC Airtight Frame-In
Page 84



8122H
6" LED Frame-In
Page 85



8122HIC
6" LED IC Airtight Frame-In
Page 86



8124H
6" LED Architectural Housing
Page 87



8162H
6" LED High Output Architectural
Housing
Page 88



8163H
8" LED High Output Architectural
Housing
Page 89



8125H
8" LED Frame-In
Page 90



8125HIC
8" LED IC Airtight Frame-In
Page 91



8126H
8" LED Architectural Housing
Page 92



8042
4" Tunable Wattage LED Retrofit
Page 93



8062
6" Tunable Wattage LED Retrofit
Page 93



8082
8" Tunable Wattage LED Retrofit
Page 93

For all IC Rated housing consult factory if using cellulose, blown-in or foam insulation.

Specifications and dimensions subject to change.
Lumens are delivered unless otherwise noted.
See website for most current information.

Recessed Lighting Housing Overview

Residential Housing cont.

 <p>8317H 3" LED IC Frame-In Page 94</p>	 <p>8317HR 3" LED IC Remodel Page 95</p>	 <p>8215HA 4" LED IC Airtight Frame-In Page 96</p>	 <p>8215HRA 4" LED IC Airtight Remodel Page 97</p>
 <p>8201HA 4" Airtight Frame-In Page 98</p>	 <p>8201HRA 4" Airtight Remodel Page 99</p>	 <p>8202HA 4" IC Airtight Frame-In Page 100</p>	 <p>8117HA 6" LED IC Airtight Shallow Frame-In Page 101</p>
 <p>8117HRA 6" LED IC Airtight Shallow Remodel Page 102</p>	 <p>8102HAQ 6" IC Airtight Frame-In Page 103</p>	 <p>8102HRA 6" IC Airtight Remodel Page 104</p>	 <p>8104HICA 6" IC Airtight Shallow Frame-In Page 105</p>
 <p>8708 4" LED Retrofit Kit Page 106</p>	 <p>8709 4" LED Square Retrofit Downlight Page 106</p>	 <p>8711 4" LED Retrofit Trim, 2.25" Aperture Page 107</p>	 <p>8742-2 4" LED Ultra-Thin Light Page 107</p>
 <p>8542 6" LED Ultra-Thin Light Page 107</p>	 <p>8842 3" LED Ultra-Thin Light Page 109</p>	 <p>8775 4" IC Rated, LED Retrofit & New Construction J-Box Downlight Page 109</p>	 <p>8545 6" IC Rated, LED Retrofit & New Construction J-Box Downlight Page 110</p>
 <p>8776 4" IC Rated, LED Recessed Adjustable Gimbal J-Box Downlight Page 110</p>	 <p>8544-5CCT 6" LED Fire-Rated Ultra-Thin Recessed Downlight Page 108</p>	 <p>8744-5CCT 4" LED Fire-Rated Ultra-Thin Recessed Downlight Page 108</p>	

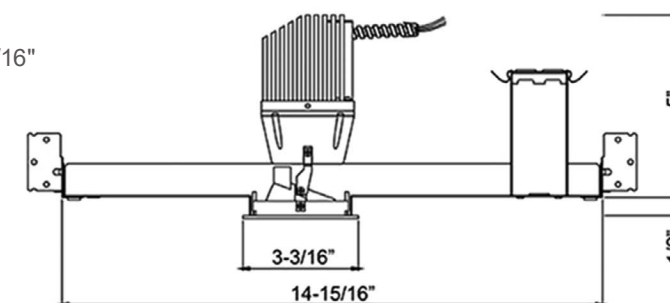
Specifications and dimensions subject to change.
Lumens are delivered unless otherwise noted.
See website for most current information.



2" Frame-In LED



8320H
2" Round LED Frame-In
Size: 12-1/16" x 5" x 7-5/8" Aperture: Opening: 2-13/16"



Adjustable Trims | Damp Listed

- 120V-277V Universal Housing
- Dimmable TRIAC, 10-100%
And 0-10V DC Dimming
- 50,000 Hours Projected Life
- 2700K | 3000K | 80 CRI
- Beam Spread Options: 15°N | 38°M | 60°W
- Adjustable Trims: 0-30° tilt | 356° rotational
- Captive Bar Hangers Included
- Five Year Limited Warranty

ORDERING GUIDE

Example: 8320H-10-30-38M-EM

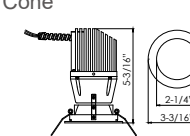
Model	Wattage	Color Temp	Beam Spread	Emergency
8320H	-10 10W, 870lms	-27 2700K -30 3000K	-15N -38M -60W	blank no EM option -EM adds Battery Pack
	-15 15W, 1200lms			
	-23 23W, 1800lms			

Trims For 8320H

Wattage, lumen output, and CCT determined by housing choice.
Check housing Ordering Guide. Trim Aperture = 2-1/4"

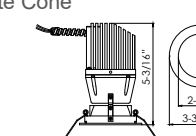
8861AJ

0-30° Tilt White Cone
356° Rotational



8861S

Straight White Cone



ORDERING GUIDE

Example: 8861AJ-WH

ORDERING GUIDE

Example: 8861S-WH

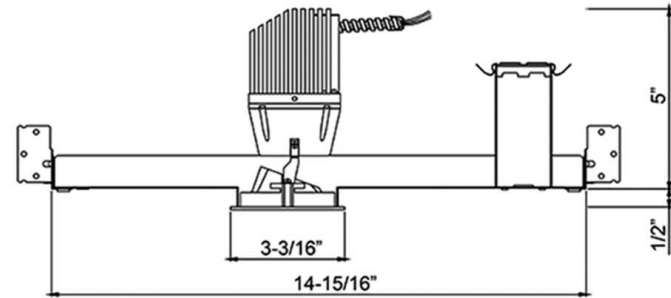
Model	Finish	Model	Finish
8861AJ	-WH White	8861S	-WH White

Specifications and dimensions subject to change.
Lumens are delivered unless otherwise noted.
See website for most current information.

2" Frame-In LED



8321H
2" Square LED Frame-In
Size: 12-1/8" x 5" 7-5/8" Opening: 2-13/16" SQ



Adjustable Trims | Damp Listed

- 120V-277V Universal Housing
- Dimmable TRIAC, 10-100%
And 0-10V DC Dimming
- 50,000 Hours Projected Life
- 2700K | 3000K | 80 CRI
- Beam Spread Options: 15°N | 38°M | 60°W
- Adjustable Trims: 0-30° tilt | 356° rotational
- Captive Bar Hangers Included
- Five Year Limited Warranty

ORDERING GUIDE		Example: 8321H-10-30-38M-EM		
Model	Wattage	Color Temp	Beam Spread	Emergency
8321H	-10	10W, 870lms	-15N -38M -60W	blank no EM option -EM adds Battery Pack
	-15	15W, 1200lms		
	-23	23W, 1800lms		

Trims For 8321H

Wattage, lumen output, and CCT determined by housing choice. Check housing Ordering Guide. Trim Aperture = 2-1/4"

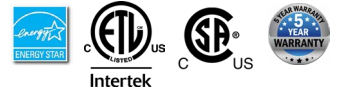


ORDERING GUIDE		Example: 8862AJ-WH
Model	Finish	
8862AJ	-WH White	

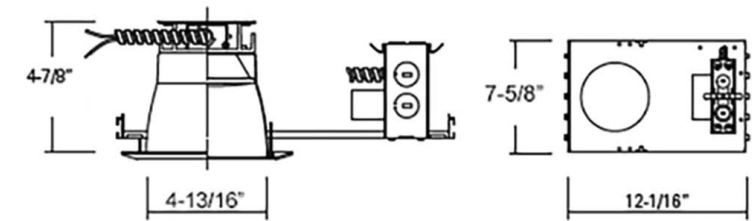


ORDERING GUIDE		Example: 8862S-WH
Model	Finish	
8862S	-WH White	

4" LED Frame-In



8120H
4" LED Frame-In
Size: 12-1/6" x 7-5/8" x 4-7/8"
Opening: 4-13/16"



Adjustable Trims | Energy Star Listed

- 120V-277V Universal Voltage
- Dimmable TRIAC, 10-100% and 0-10V DC Dimming
- 50,000 Hours Projected Life | 60° Beam Angle
- 3000K | 3500K | 4000K | 5000K | 80+ CRI
- 14W | 1150 lms | 23W | 1950 lms
- 8120H | 4-7/8" height for 2"x 6" construction
- 8120H | Captive Bar Hangers Included
- Energy Star Listed – 3000K & 4000K only
- 8120H – cCSAus Listed
- 5 Year Limited Warranty: LED Lamp
- 1 Year Limited Warranty: Other Components

ORDERING GUIDE		Example: 8120H-14-30-EM		
Model	Wattage	CCT	Emergency	
8120H	-14	14W	-30 3000K -35 3500K -40 4000K	blank no EM option EM adds EM Battery Pack
	-23	23W		

Trims For 8120H

Wattage, lumen output, and CCT determined by housing choice. Check housing Ordering Guide.

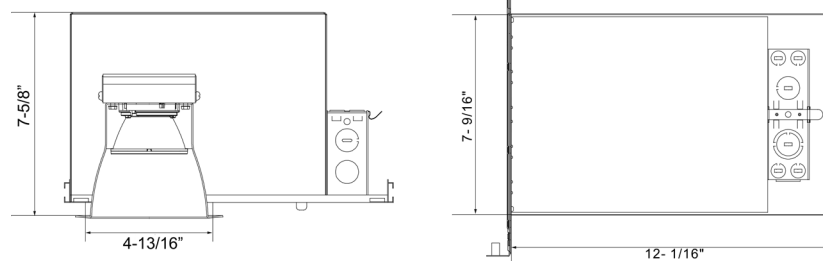


ORDERING GUIDE		Example: 8590HZ	ORDERING GUIDE		Example: 8586WH	ORDERING GUIDE		Example: 8587WH
Model	Finish		Model	Finish		Model	Finish	
8590	HZ Haze		8586	WH White		8587	WH White	

4" LED IC Airtight Frame-In



8120HIC
4" LED IC Airtight Frame-In
Size: 12-1/16" x 7-5/8" x 7-9/16"
Opening: 4-13/16"



Adjustable Trims | Energy Star Listed

- 120V-277V Universal Voltage
- Dimmable TRIAC, 10-100% and 0-10V DC Dimming
- 50,000 Hours Projected Life | 60° Beam Angle
- 3000K | 3500K | 4000K | 80+ CRI
- 14W | 1150 lms | 23W | 1950 lms
- Captive Bar Hangers Included
- Energy Star Listed – 3000K & 4000K
- 5 Year Limited Warranty: LED Lamp
- 1 Year Limited Warranty: Other Components

ORDERING GUIDE

Example: 8120HIC-14-30-EM

Model	Wattage	CCT	Emergency
8120H	-14 14W	-30 3000K	blank no EM option EM adds EM Battery Pack
	-23 23W	-35 3500K	
		-40 4000K	

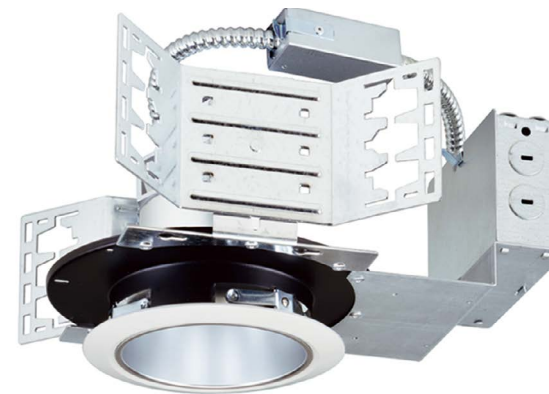
Trims For 8120H and 8120HIC

Wattage, lumen output, and CCT determined by housing choice.
Check housing Ordering Guide.

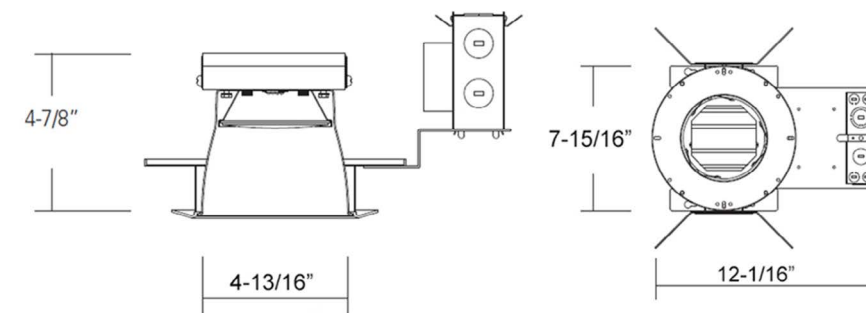


Model	Finish	Model	Finish	Model	Finish
8590	HZ Haze	8586	WH White	8587	WH White

4" LED Architectural Housing



8121H
4" LED Architectural Housing
Size: 12-1/16" x 7-15/16" x 4-7/8"
Opening: 4-13/16"



Adjustable Trims | Energy Star Listed

- 120V-277V Universal Voltage
- Dimmable TRIAC, 10-100% and 0-10V DC Dimming
- 50,000 Hours Projected Life | 60° Beam Angle
- 3000K | 3500K | 4000K | 80+ CRI
- 14W | 1150 lms | 23W | 1950 lms
- 8121H | 4-7/8" height for 2"x 6" construction
- Energy Star Listed – 3000K & 4000K only
- 8121H – cCSAus Listed
- 5 Year Limited Warranty: LED Lamp
- 1 Year Limited Warranty: Other Components

ORDERING GUIDE

Example: 8121H-14-30-EM

Model	Wattage	CCT	Emergency
8121H	-14 14W	-30 3000K	blank no EM option EM adds EM Battery Pack
	-23 23W	-35 3500K	
		-40 4000K	

Trims For 8121H

Wattage, lumen output, and CCT determined by housing choice.
Check housing Ordering Guide.



Model	Finish	Model	Finish	Model	Finish
8590	HZ Haze	8586	WH White	8587	WH White

8096B
Optional Two Piece Bar Hanger
24" Joist Span
Only for 8121H



4" LED 2-Hour Fire Rated Airtight New Construction



8216-1FR-JB
 Size: 4" H x 8-1/8" L x 6" W
 Opening: 4-1/8"



- 120V - 60 Hz | TRIAC dimming down to 5%
- LED Trim - 50,000 projected life
- LED Driver - 10.3W; mounts externally to J-Box
- Fire-resistant galvanized steel housing
- Bar hangers are adjustable to 24" with 4 captive nails included
- Adjusts to fit up to 1-1/4" ceiling thickness
- Recess trim into housing using spring steel retention clips
- Electrical Quick Connect to housing is included
- 10.3W | 905 lms (delivered) | 3000K | 90 CR
- cETLus listed for wet location with trim 8724
- 120 minute fire rating per ASTM E283
- IC and Airtight listed
- Housing & Other Components: 1 Year Limited Warranty
- LED Light Source: 5 Year Limited Warranty

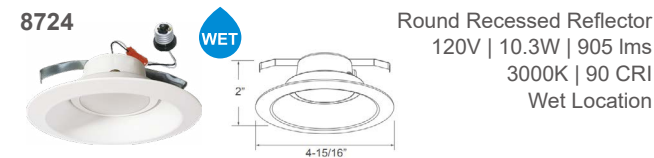
ORDERING GUIDE

Example: 8216-1FR-JB

Model	Emergency
8216-1FR-JB	blank no EM option EM adds EM Battery Pack

Trims For 8216-1FR-JB

277V Trims Available By Special Order. Please contact RP Lighting + Fans for information.



ORDERING GUIDE

Example: 8724WH

Model	Finish
8724	WH White

6" LED 2-Hour Fire Rated IC Airtight New Construction



8199HICA-FR
 Size: H 7-1/2" x L 9" x W 12-1/2"
 Opening: 6-1/8"



- 120V, 60HZ
- Galvanized steel construction
- IC Rated for direct contact with insulation
- Adjusts to accommodate up to 1-1/2" ceiling thickness
- J-box is listed for through-branch circuit wiring (4in - 4out), with three 1/2" knockouts and four non-metallic cable knockouts with strain clamps
- 3-port quick connectors pre-installed in J-Box
- 2-hours fire rated
- 6-1/2" x 9" x 12-1/2" | Aperture: 6 1/8" | Height: 7 1/2"
- cULus Listed for Wet Location (with specified trims)
- Certified under ASTM-E283 for Air tight construction
- 2 HOURS FIRE RATED UL Listed (UL1598 / UL263)
- Housing & Other Components: 1 year limited warranty
- Trim LED Light Source: 5 year limited warranty

ORDERING GUIDE

Example: 8199HICA-FR-EM

Model	Emergency
8199HICA-FR	blank no EM option EM adds EM Battery Pack*

*EM option only compatible with 8523WH-90-3K-E and 8523WH-HO-90-3K-E

Trims For 8199HICA-FR

277V Trims Available By Special Order. Please contact RP Lighting + Fans for information.



ORDERING GUIDE

Example: 8523WH-90-3K

Model	Finish	CRI	CCT	Emergency
8523	OB Oil Rubbed Bronze	-90	-3K 3000K -4K 4000K	-E** : EM Option
	WH White			
	BN Brushed Nickel			

ORDERING GUIDE

Example: 8562WH-80-3K

Model	Finish	CRI	CCT
8562	BK Black	-80	-3K 3000K
	WH White		

**-E option only available in WH and in 3K (8523WH-90-3K-E)



ORDERING GUIDE

Example: 8563CL-90-3K

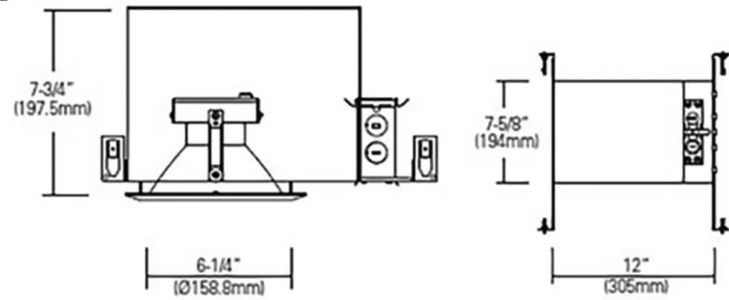
Model	Finish	CRI	CCT
8563	BN Brushed Nickel	-90	-3K 3000K -4K 4000K
	BK Black		
	CL Clear		
	OB Oil Rubbed Bronze		
	WH White		

ORDERING GUIDE

Example: 8523WH-HO-90-3K

Model	Finish	High Output	CRI	CCT	Emergency
8523	WH White	-HO	-90	-3K 3000K	-E** : EM Option

6" LED High Lumen Housing



8116HIC
6" LED IC Airtight Frame-In
Size: 12" x 7-3/4" x 7-5/8"
Opening: 6-1/4"

- 120-277V Universal - 60Hz
- IC Rated for direct contact
- Airtight Housing Trims are dedicated and sold separately
- 6" Nominal Aperture
- 15W: 950 lms
- 20W: 1500 lms
- Dimmable TRIAC, 10-100%
- cETLus Listed for damp location
- Housing: 1 Year Limited Warranty
- LED Lamps: 5 Year Limited Warranty
- Driver: 1 Year Limited Warranty

ORDERING GUIDE		Example: 8116HIC-15-EM	
Model	Wattage	Emergency	
8116HIC	-15: 15W 950 lms	blank no EM option	
	-20: 20W 1500 lms	EM adds EM Battery Pack	

LED Trims For 8116HIC

8570 6" LED Shower or Baffle Trim
15W or 20W
3000K or 4000K | 90 CRI
120V
O.D. 8"

ORDERING GUIDE		Example: 8570WH-15-3K		
Model	Finish	Wattage	CCT	
8570	FS Frosted Shower *	-15	-3K	3000K
	WH White Baffle	-20	-4K	4000K

* FS Trim only is Wet Location Listed

8571 6" LED Haze Open Reflector
15W or 20W
3000K or 4000K | 90 CRI
120V
O.D. 8"

ORDERING GUIDE		Example: 8571HZ-15-3K		
Model	Finish	Wattage	CCT	
8571	HZ Haze	-15	-3K	3000K
		-20	-4K	4000K

8572 6" LED Eyeball
15W or 20W
3000K | 90 CRI
120V
O.D. 7-3/4"

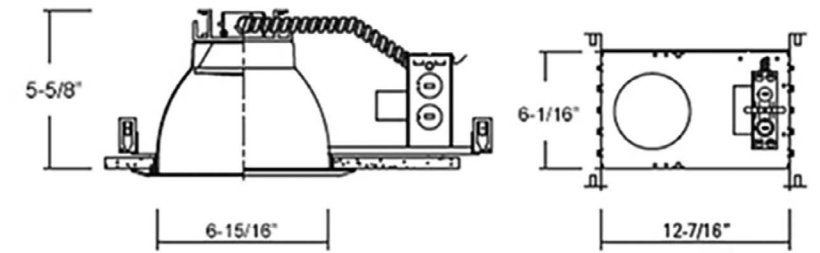
ORDERING GUIDE		Example: 8572WH-15-3K		
Model	Finish	Wattage	CCT	
8572	WH White	-15	-3K	3000K
		-20		

8573 6" LED Gimbal
15W or 20W
3000K | 90 CRI
120V
O.D. 7-3/4"

ORDERING GUIDE		Example: 8573WH-15-3K		
Model	Finish	Wattage	CCT	
8573	WH White	-15	-3K	3000K
		-20		

Specifications and dimensions subject to change.
Lumens are delivered unless otherwise noted.
See website for most current information.

6" LED Frame-In



8122H
6" LED Frame-In
Size: 12-7/16" x 6-1/16" x 5-5/8"
Opening: 6-15/16"

- 120V-277V Universal Housing
- Dimmable TRIAC, 10-100% and 0-10V DC Dimming
- 50,000 Hours Projected Life | 60° Beam Angle
- 3000K | 3500K | 4000K | 80 CRI
- 14W | 1150 lms 23W | 1950 lms
- 30W | 2720 lms 45W | 3640 lms
- Captive Bar Hangers Included
- Energy Star Listed – 3000K & 4000K only
- cCSAus Listed for damp location; select trims wet location
- 5 Year Limited Warranty: LED Light Source
- 1 Year Limited Warranty: Other Components

ORDERING GUIDE		Example: 8122H-14-40-EM		
Model	Wattage	CCT		Emergency
8122H	-14 14W	-30	3000K	blank no EM option EM adds EM Battery Pack
	-23 23W	-35	3500K	
	-30 30W	-40	4000K	
	-45 45W			

Trims For 8122H

Wattage, lumen output, and CCT determined by housing choice. Check housing Ordering Guide.

8651 Haze Cone Reflector **8652** Haze Reflector with White Baffle

ORDERING GUIDE		Example: 8651HZ	
Model	Finish	Wattage	CCT
8651	HZ Haze	-15	-3K
		-20	-4K

8652 Haze Reflector with White Baffle

ORDERING GUIDE		Example: 8652WH	
Model	Finish	Wattage	CCT
8652	WH White	-15	-3K
		-20	-4K

8653 Haze Reflector with White Baffle with lens

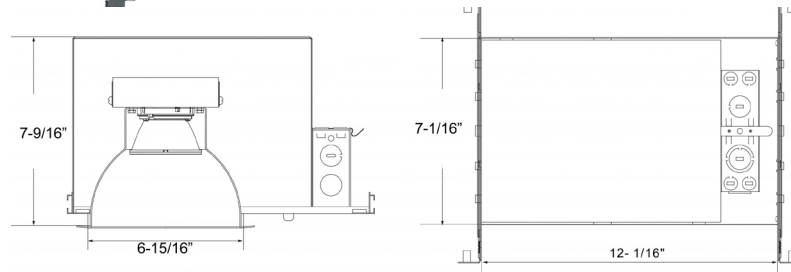
ORDERING GUIDE		Example: 8653WH	
Model	Finish	Wattage	CCT
8653	WH White	-15	-3K
		-20	-4K

Specifications and dimensions subject to change.
Lumens are delivered unless otherwise noted.
See website for most current information.

6" LED IC Airtight Frame-In



8122HIC
6" LED IC Airtight Frame-In
Size: 12-1/16" x 7-11/16" x 7-9/16"
Opening: 6-15/16"



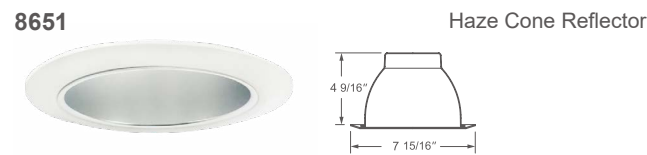
- 120V-277V Universal Housing
- Dimmable TRIAC, 10-100% and 0-10V DC Dimming
- 50,000 Hours Projected Life | 60° Beam Angle
- 3000K | 3500K | 4000K | 80 CRI
- 14W | 1150 lms 23W | 1950 lms
- 30W | 2720 lms
- Captive Bar Hangers Included
- Energy Star Listed – 3000K & 4000K only
- cCSAus Listed for damp location; select trims wet location
- 5 Year Limited Warranty: LED Light Source
- 1 Year Limited Warranty: Other Components

ORDERING GUIDE Example: 8122HIC-14-40-EM

Model	Wattage	CCT	Emergency
8122HIC	-14 14W	-30 3000K	blank no EM option EM adds EM Battery Pack
	-23 23W	-35 3500K	
	-30 30W	-40 4000K	

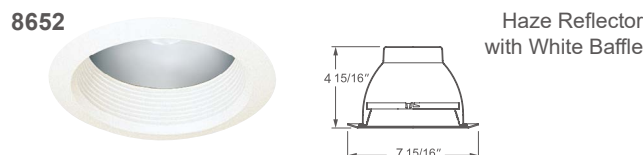
Trims For 8122HIC

Wattage, lumen output, and CCT determined by housing choice. Check housing Ordering Guide.



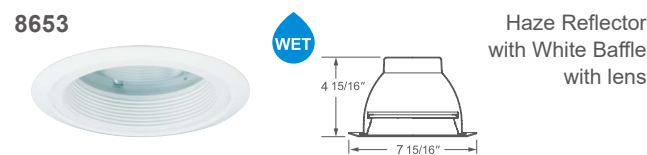
ORDERING GUIDE Example: 8651HZ

Model	Finish
8651	HZ Haze



ORDERING GUIDE Example: 8652WH

Model	Finish
8652	WH White



ORDERING GUIDE Example: 8653WH

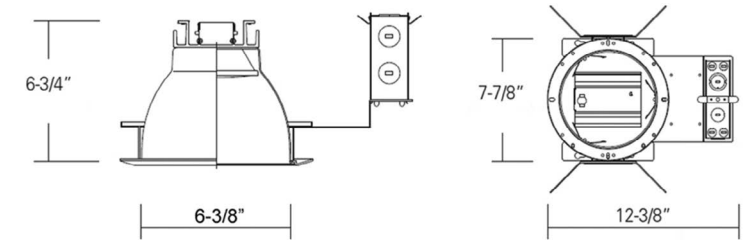
Model	Finish
8653	WH White

Specifications and dimensions subject to change. Lumens are delivered unless otherwise noted. See website for most current information.

6" LED Architectural Housing



8124H
6" LED Architectural Housing
Size: 12-3/8" x 7-7/8" x 6-3/4"
Opening: 6-3/8"



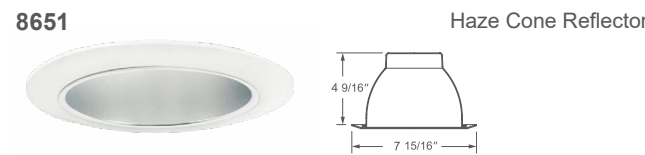
- 120V-277V Universal Housing
- Dimmable TRIAC, 10-100% and 0-10V DC Dimming
- 50,000 Hours Projected Life | 60° Beam Angle
- 3000K | 3500K | 4000K | 80 CRI
- 14W | 1150 lms 23W | 1950 lms
- 30W | 2720 lms 45W | 3640 lms
- Energy Star Listed – 3000K & 4000K only
- cCSAus Listed for damp location; select trims wet location
- 5 Year Limited Warranty: LED Light Source
- 1 Year Limited Warranty: Other Components

ORDERING GUIDE Example: 8124H-14-40-EM

Model	Wattage	CCT	Emergency
8124H	-14 14W	-30 3000K	blank no EM option EM adds EM Battery Pack
	-23 23W	-35 3500K	
	-30 30W	-40 4000K	
	-45 45W		

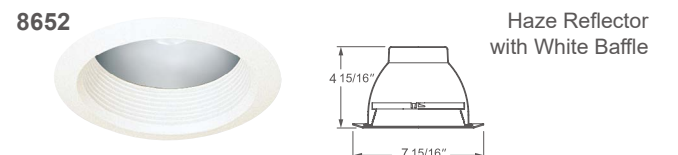
Trims For 8124H

Wattage, lumen output, and CCT determined by housing choice. Check housing Ordering Guide.



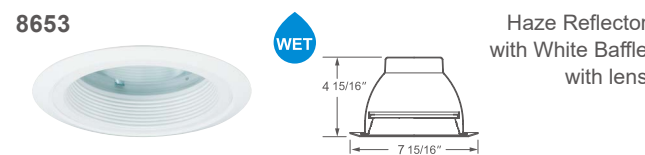
ORDERING GUIDE Example: 8651HZ

Model	Finish
8651	HZ Haze



ORDERING GUIDE Example: 8652WH

Model	Finish
8652	WH White



ORDERING GUIDE Example: 8653WH

Model	Finish
8653	WH White

Specifications and dimensions subject to change. Lumens are delivered unless otherwise noted. See website for most current information.

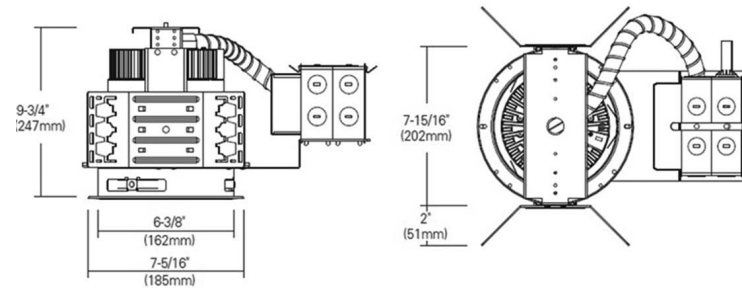
8096B
Optional Two Piece Bar Hanger
24" Joist Span
Only optional for 8124H



6" LED High Output Architectural Housing



8162H
6" LED High Output Architectural Housing
Size: 7-5/16" x 7-15/16" x 9-3/4"
Opening: 6-3/8"



- 120V-277V Universal Housing
- Dimmable TRIAC, 10-100% and 0-10V DC Dimming
- 50,000 Hours Projected Life
- 3000K | 4000K | 80 CRI
- 50W | 3438 lms | 60W | 4265 lms
- 70W | 4921 lms | 90W | 5798 lms
- cULus Listed for damp location
- 5 Year Limited Warranty

ORDERING GUIDE

Example: 8162H-50-30-EM

Model	Wattage	CCT	Emergency
8162H	-50	50W	blank no EM option EM adds EM Battery Pack
	-60	60W	
	-70	70W	
	-90	90W	
		-30	3000K
		-40	4000K

Trims For 8162H

Wattage, lumen output, and CCT determined by housing choice. Check housing Ordering Guide.



ORDERING GUIDE

Example: 8656HZ

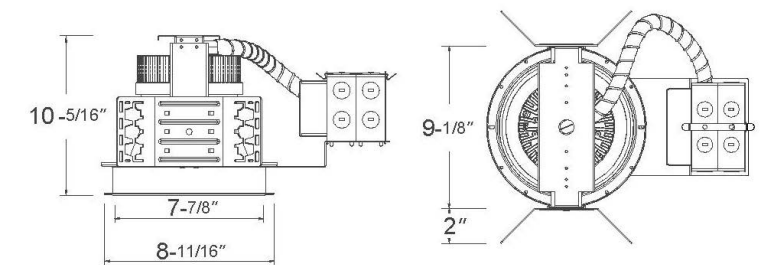
Model	Finish
8656	HZ Haze

Specifications and dimensions subject to change. Lumens are delivered unless otherwise noted. See website for most current information.

8" LED High Output Architectural Housing



8163H
8" LED High Output Architectural Housing
Size: 8-11/16" x 9-1/8" x 10-5/16"
Opening: 7-7/8"



- 120V-277V Universal Housing
- Dimmable TRIAC, 10-100% And 0-10V DC Dimming
- 50,000 Hours Projected Life
- 3000K | 4000K | 80 CRI
- 50W | 3438 lms | 60W | 4265 lms
- 70W | 4921 lms | 90W | 5798 lms
- cULus Listed for damp location
- 5 Year Limited Warranty

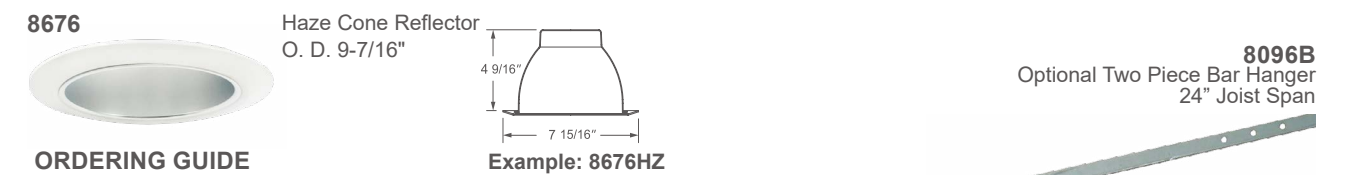
ORDERING GUIDE

Example: 8163H-50-30-EM

Model	Wattage	CCT	Emergency
8163H	-50	50W	blank no EM option EM adds EM Battery Pack
	-60	60W	
	-70	70W	
	-90	90W	
		-30	3000K
		-40	4000K

Trims For 8163H

Wattage, lumen output, and CCT determined by housing choice. Check housing Ordering Guide.



ORDERING GUIDE

Example: 8676HZ

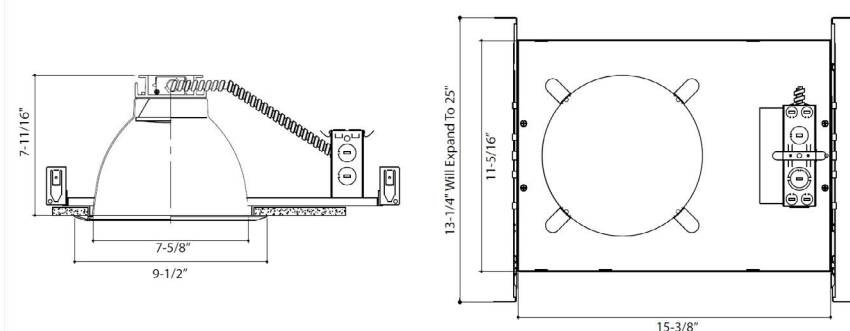
Model	Finish
8676	HZ Haze

Specifications and dimensions subject to change. Lumens are delivered unless otherwise noted. See website for most current information.

8" LED Frame-In



8125H
8" LED Frame-In
Size: 15-3/8" x 11-5/16" x 7-11/16"
Opening: 7-15/16"



- 120V-277V Universal Voltage
- 23W | 1950 lms 30W | 2720 lms 45W | 3640 lms
- 3000K | 3500K | 4000K
- 80 CRI | 50,000 hour projected life
- Dimmable TRIAC, ELV, and 0-10V DC dimming
- Sturdy aluminum construction
- Beam angle 60°
- cCSAus Listed for damp location (wet trim available)
- Energy Star Listed
- LED Lamp: 5 Year Limited Warranty
- Other Components: 1 Year Limited Warranty

ORDERING GUIDE

Example: 8125H-23-40-EM

Model	Wattage	CCT	Emergency
8125H	-23	23W	blank no EM option EM adds EM Battery Pack
	-30	30W	
	-35	3500K	
	-45	45W	
		-40	4000K

Trims For 8125H

Wattage, lumen output, and CCT determined by housing choice. Check housing Ordering Guide.

8671 Haze Cone Reflector O. D. 9-7/16"

ORDERING GUIDE Example: 8671HZ

Model	Finish
8671	HZ Haze

8673 Haze Reflector with lens O. D. 9-7/16"

ORDERING GUIDE Example: 8673WH

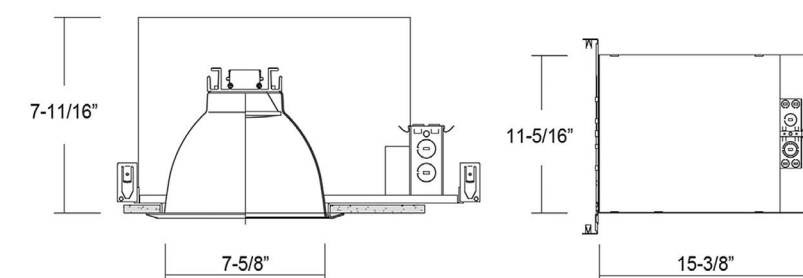
Model	Finish
8673	WH White

Specifications and dimensions subject to change. Lumens are delivered unless otherwise noted. See website for most current information.

8" LED IC Airtight Frame-In



8125HIC
8" LED IC Airtight Frame-In
Size: 15-3/8" x 11-5/16" x 7-11/16"
Opening: 7-15/16"



- 120V-277V Universal Voltage
- 23W | 1950 lms 30W | 2720 lms
- 3000K | 3500K | 4000K
- 80 CRI | 50,000 hour projected life
- Dimmable TRIAC, ELV, and 0-10V DC dimming
- Sturdy aluminum construction | IC-Rated | Airtight
- Beam angle 60°
- cCSAus Listed for damp location (wet trim available)
- Energy Star Listed | IC Rated | Airtight
- LED Lamp: 5 Year Limited Warranty
- Other Components: 1 Year Limited Warranty

ORDERING GUIDE

Example: 8125HIC-23-40-EM

Model	Wattage	CCT	Emergency
8125HIC	-23	23W	blank no EM option EM adds EM Battery Pack
	-30	30W	
	-35	3500K	
	-40	4000K	

Trims For 8125HIC

Wattage, lumen output, and CCT determined by housing choice. Check housing Ordering Guide.

8671 Haze Cone Reflector O. D. 9-7/16"

ORDERING GUIDE Example: 8671HZ

Model	Finish
8671	HZ Haze

8673 Haze Reflector with lens O. D. 9-7/16"

ORDERING GUIDE Example: 8673WH

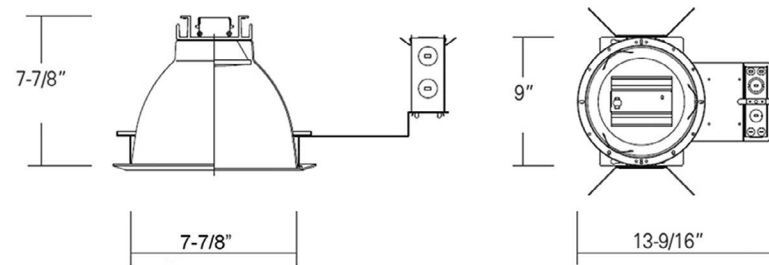
Model	Finish
8673	WH White

Specifications and dimensions subject to change. Lumens are delivered unless otherwise noted. See website for most current information.

8" LED Architectural Housing



8126H
8" LED Architectural Housing
Size: 9" x 13-9/16" x 7-7/8"
Opening: 7-7/8"



- 120V-277V Universal Voltage
- 23W | 1950 lms 30W | 2720 lms 45W | 3640 lms
- 3000K | 3500K | 4000K
- 80 CRI | 50,000 hour projected life
- Dimmable TRIAC, ELV, and 0-10V DC dimming
- Sturdy aluminum construction
- Beam angle 60°
- cCSAus Listed for damp location (wet trim available)
- Energy Star Listed
- LED Lamp: 5 Year Limited Warranty
- Other Components: 1 Year Limited Warranty

ORDERING GUIDE

Example: 8126H-23-40-EM

Model	Wattage	CCT	Emergency
8126H	-23 23W	-30 3000K	blank no EM option
	-30 30W	-35 3500K	EM adds EM Battery Pack
	-45 45W	-40 4000K	

8096B
Optional Two Piece Bar Hanger
24" Joist Span
Only for 8121H



Trims For 8126H

Wattage, lumen output, and CCT determined by housing choice. Check housing Ordering Guide.



ORDERING GUIDE

Model	Finish
8671	HZ Haze

Example: 8671HZ



ORDERING GUIDE

Model	Finish
8673	WH White

Example: 8673WH

Specifications and dimensions subject to change. Lumens are delivered unless otherwise noted. See website for most current information.

Tunable Wattage Selectable CCT Remodel Commercial Downlight



8042
4" Aperture Non-IC, LED Retrofit

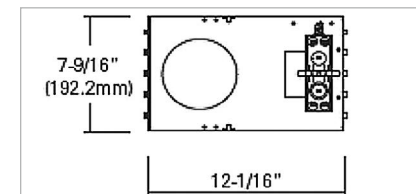
- 120V-277V Universal Voltage
- 0-10V DC Dimming
- 50,000 Hours Projected Life
- Beam Angle: 65°
- 5CCT Selectable (27K, 3K, 35K, 4K, 5K) | 80 CRI
- 10W | 900 lms 15W | 1350 lms
- 20W | 1800 lms 23W | 1800 lms
- 30W | 2700 lms 37W | 3300
- RP Lighting 4786EM emergency battery factory installed

8062
6" Aperture Non-IC, LED Retrofit

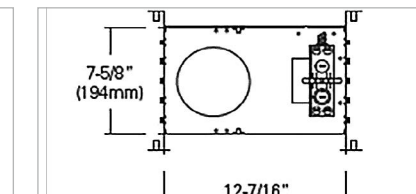
8082
8" Aperture Non-IC, LED Retrofit

- Emergency Battery Output: 8W
- Emergency Lumen Output: 8W x Fixture L/W
- Energy Star Listed
- cCSAus Listed for damp location
- 5 Year Limited Warranty
- IC / Non-IC New Construction Mounting
- Plates Available. See compatible options below:

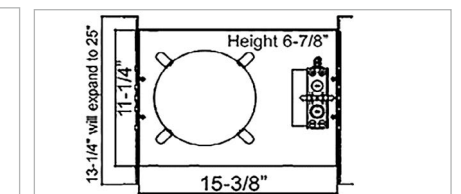
8164H



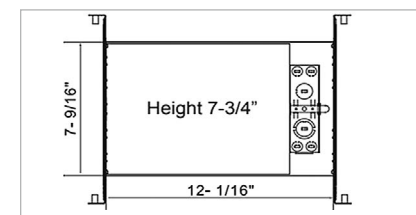
8166H



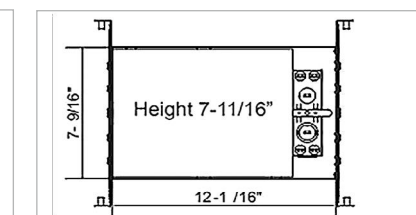
8168H



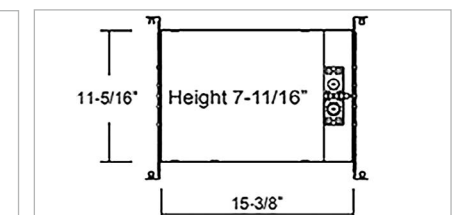
8164HIC



8166HIC



8168HIC



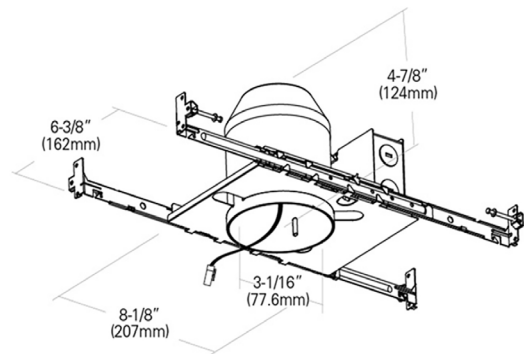
ORDERING GUIDE

Example: 8042-3TW-5CCT-EM

Model	Wattage	CCT	Emergency
8042	-3TW 10W, 15W, 20W Tunable Wattage	-5CCT 27K, 3K, 35K, 4K, 5K Selectable	blank no EM option
			EM adds EM Battery Pack
Model	Wattage	CCT	Emergency
8062	-3TW 15W, 23W, 30W Tunable Wattage	-5CCT 27K, 3K, 35K, 4K, 5K Selectable	blank no EM option
			EM adds EM Battery Pack
Model	Wattage	CCT	Emergency
8082	-3TW 20W, 30W, 37W Tunable Wattage	-5CCT 27K, 3K, 35K, 4K, 5K Selectable	blank no EM option
			EM adds EM Battery Pack

Specifications and dimensions subject to change. Lumens are delivered unless otherwise noted. See website for most current information.

3" LED IC Rated Frame-In



8317H
3" LED IC Rated Frame-In
Size: H 4-7/8" x L 8-1/8" x W 6-3/8"
Opening: 3-1/16"

- IC Rated for direct contact
- 1-1/4" ceiling thickness adjustable
- Trims (sold separately)
- 3" Nominal Aperture
- 50,000 Hour Project Life

- 3000K | 80 or 90 CRI
- Dimmable TRIAC, 10-100%
- cCSAus Listed for damp location
- Housing: 1 Year Limited Warranty
- LED Lamps: 5 Year Limited Warranty

ORDERING GUIDE

Example: 8317H

Model
8317H

Trims For 8317H

8821-1 3" LED Recessed Baffle
10W | 650 lms
3000K | 80 CRI
120V
O.D. 3-3/4"

ORDERING GUIDE

Example: 8821-1-WH-3K

Model	Finish	CCT
8821-1	-WH White	-3K 3000K
	-OB Oil Rubbed Bronze	
	-BN Brushed Nickel	

8822-1 3" LED Recessed Gimbal
10W | 650 lms
3000K | 80 CRI
120V
O.D. 3-3/4"

ORDERING GUIDE

Example: 8822-1-WH-3K

Model	Finish	CCT
8822-1	-WH White	-3K 3000K
	-OB Oil Rubbed Bronze	
	-BN Brushed Nickel	

8824 3" LED Retrofit Baffle
10W | 600 lms
3000K | 90 CRI
120V
O.D. 3-5/8"

ORDERING GUIDE

Example: 8824WH-90-3K

Model	Finish	CRI	CCT
8824	-WH White	-90	-3K 3000K

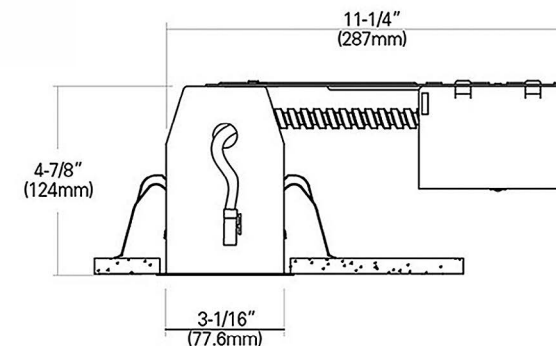
8825 3" LED Retrofit Gimbal
10W | 600 lms
3000K | 90 CRI
120V
O.D. 3-5/8"

ORDERING GUIDE

Example: 8825WH-90-3K

Model	Finish	CRI	CCT
8825	-WH White	-90	-3K 3000K

3" LED IC Rated Remodel



8317HR
3" LED IC Rated Remodel
Size: H 4-7/8" x L 11-1/4" x W 3-1/16"
Opening: 3-1/16"

- IC Rated for direct contact
- 1-1/4" ceiling thickness adjustable
- Trims (sold separately)
- 3" Nominal Aperture
- 50,000 Hour Project Life

- 3000K | 80 or 90 CRI
- Dimmable TRIAC, 10-100%
- cCSAus Listed for damp location
- Housing: 1 Year Limited Warranty
- LED Lamps: 5 Year Limited Warranty

ORDERING GUIDE

Example: 8317HR

Model
8317HR

Trims For 8317HR

8821-1 3" LED Recessed Baffle
10W | 650 lms
3000K | 80 CRI
120V
O.D. 3-3/4"

ORDERING GUIDE

Example: 8821-1-WH-3K

Model	Finish	CCT
8821-1	-WH White	-3K 3000K
	-OB Oil Rubbed Bronze	
	-BN Brushed Nickel	

8822-1 3" LED Recessed Gimbal
10W | 650 lms
3000K | 80 CRI
120V
O.D. 3-3/4"

ORDERING GUIDE

Example: 8822-1-WH-3K

Model	Finish	CCT
8822-1	-WH White	-3K 3000K
	-OB Oil Rubbed Bronze	
	-BN Brushed Nickel	

8824 3" LED Retrofit Baffle
10W | 600 lms
3000K | 90 CRI
120V
O.D. 3-5/8"

ORDERING GUIDE

Example: 8824WH-90-3K

Model	Finish	CRI	CCT
8824	-WH White	-90	-3K 3000K

8825 3" LED Retrofit Gimbal
10W | 600 lms
3000K | 90 CRI
120V
O.D. 3-5/8"

ORDERING GUIDE

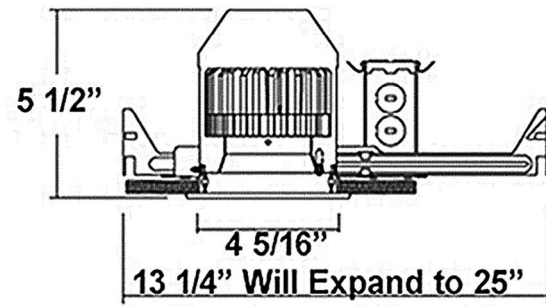
Example: 8825WH-90-3K

Model	Finish	CRI	CCT
8825	-WH White	-90	-3K 3000K

Specifications and dimensions subject to change.
Lumens are delivered unless otherwise noted.
See website for most current information.

Specifications and dimensions subject to change.
Lumens are delivered unless otherwise noted.
See website for most current information.

4" LED IC Airtight Frame-In



8215HA
4" LED IC Airtight Frame-In
Size: H 5-1/2" x L 13-1/4" x W 5-3/4"
will expand to 25" Opening: 4-5/16"

- IC Rated for direct contact
- 1" ceiling thickness adjustable
- Trims (sold separately)
- 4" Nominal Aperture
- 50,000 Hours Projected Life

- 3000K or 4000K | 80 or 90 CRI
- Dimmable TRIAC, 10-100%
- cCSAus Listed for damp location
- Housing: 1 Year Limited Warranty
- LED Lamps: 5 Year Limited Warranty

ORDERING GUIDE Example: 8215HA

Model	EM Option	
8215HA	-EM	blank does not add EM option adds EM Battery Backup

Trims For 8215HA

8763 4" LED Recessed Reflector
10W | 785 lms delivered
3000K or 4000K | 90 CRI
120V
O.D. 5" WET

ORDERING GUIDE Example: 8763WH-90-3K

Model	Finish	CRI	CCT
8763	BN	Brushed Nickel	-90 -3K 3000K -4K 4000K
	BK	Black	
	OB	Oil Rubbed Bronze	
	CL	Clear	
	WH	White	

8723-E 4" LED Recessed Reflector
9W | 785 lms delivered
3000K | 90 CRI
120V | Emergency Backup
O.D. 5" WET

ORDERING GUIDE Example: 8723WH-90-3K-E

Model	Finish	CRI	CCT	EM
8723	WH	White	-90 -3K 3000K	-E

8723 4" LED Recessed Reflector
9W | 785 lms
3000K | 90 CRI
120V
O.D. 5" WET

ORDERING GUIDE Example: 8723WH-90-3K

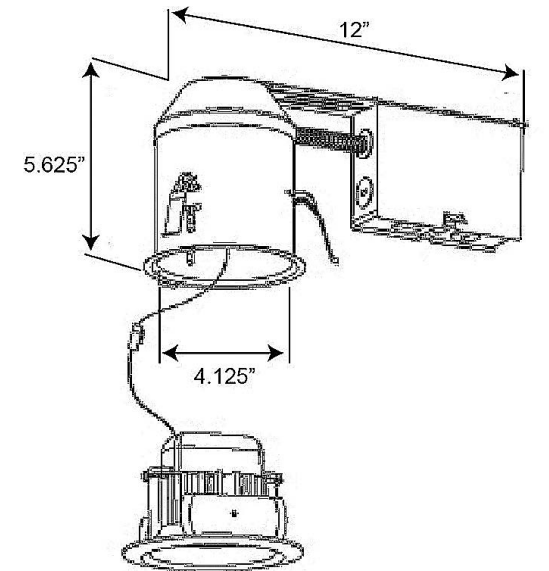
Model	Finish	CRI	CCT
8723	WH	White	-90 -3K 3000K

8773 4" LED Recessed Square Module
11W | 700 lms
3000K or 4000K | 90 CRI
120V
O.D. 5" WET

ORDERING GUIDE Example: 8773WH-90-3K

Model	Finish	CRI	CCT
8773	WH	White	-90 -3K 3000K -4K 4000K

4" LED IC Airtight Remodel



8215HRA
4" LED IC Airtight Remodel
Size: H 5-5/8" x L 12" x W 4-15/16"
Opening: 4-1/8"

- IC Rated for direct contact
- 1" ceiling thickness adjustable
- Trims (sold separately)
- 4" Nominal Aperture
- 50,000 Hours Projected Life

- 3000K or 4000K | 80 or 90 CRI
- Dimmable TRIAC, 10-100%
- cCSAus Listed for damp location
- Housing: 1 Year Limited Warranty
- LED Lamps: 5 Year Limited Warranty

ORDERING GUIDE Example: 8215HRA

Model	EM Option	
8215HRA	-EM	blank does not add EM option adds EM Battery Backup

Trims For 8215HRA

8763 4" LED Recessed Reflector
10W | 785 lms delivered
3000K or 4000K | 90 CRI
120V
O.D. 5" WET

ORDERING GUIDE Example: 8763WH-90-3K

Model	Finish	CRI	CCT
8763	BN	Brushed Nickel	-90 -3K 3000K -4K 4000K
	BK	Black	
	OB	Oil Rubbed Bronze	
	CL	Clear	
	WH	White	

8723-E 4" LED Recessed Reflector
9W | 785 lms delivered
3000K | 90 CRI
120V | Emergency Backup
O.D. 5" WET

ORDERING GUIDE Example: 8723WH-90-3K-E

Model	Finish	CRI	CCT	EM
8723	WH	White	-90 -3K 3000K	-E

8723 4" LED Recessed Reflector
9W | 785 lms
3000K | 90 CRI
120V
O.D. 5" WET

ORDERING GUIDE Example: 8723WH-90-3K

Model	Finish	CRI	CCT
8723	WH	White	-90 -3K 3000K

8773 4" LED Recessed Square Module
11W | 700 lms
3000K or 4000K | 90 CRI
120V
O.D. 5" WET

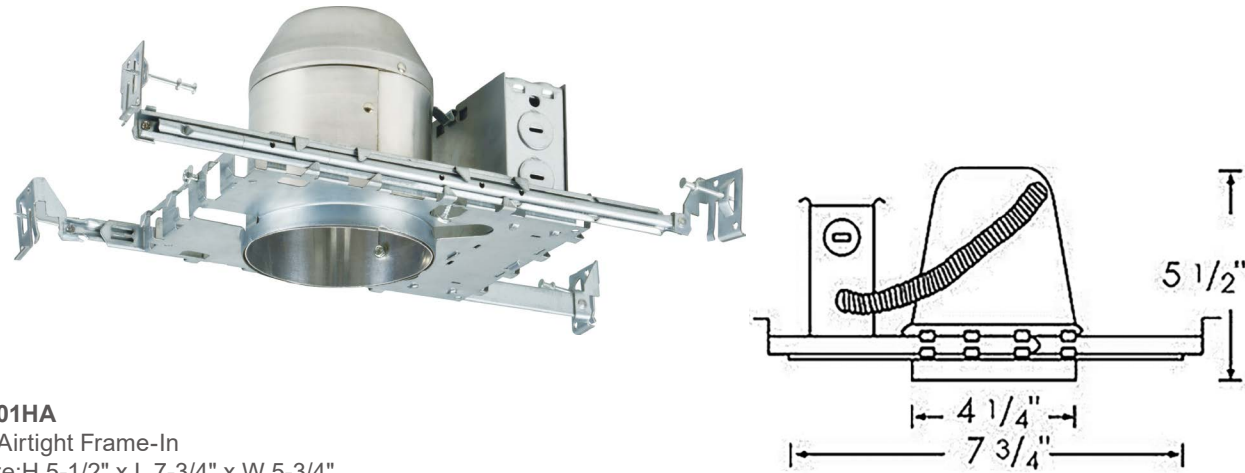
ORDERING GUIDE Example: 8773WH-90-3K

Model	Finish	CRI	CCT
8773	WH	White	-90 -3K 3000K -4K 4000K

Specifications and dimensions subject to change.
Lumens are delivered unless otherwise noted.
See website for most current information.

Specifications and dimensions subject to change.
Lumens are delivered unless otherwise noted.
See website for most current information.

4" Airtight Frame-In



8201HA
4" Airtight Frame-In
Size: H 5-1/2" x L 7-3/4" x W 5-3/4"
Opening: 4-1/4"

- Airtight; Non-IC/ See 8202HA for IC
- Frame-in: up to 1" ceiling thickness adjustable
- 4" Nominal Aperture
- Incandescent: 50W Max
- LED: Up to 900 lms
- LED: Dimmable TRIAC, 10-100%
- cETLus Listed for damp location
- Housing: 1 Year Limited Warranty
- LED Lamps: 5 Year Limited Warranty

ORDERING GUIDE Example: 8201HA

Model
8201HA

Trims For 8201HA

8763 4" LED Recessed Reflector
10W | 785 lms delivered
3000K or 4000K | 90 CRI
120V
O.D. 5"

ORDERING GUIDE Example: 8763WH-90-3K

Model	Finish	CRI	CCT
8763	BN Brushed Nickel	-90	-3K 3000K -4K 4000K
	BK Black		
	OB Oil Rubbed Bronze		
	CL Clear		
	WH White		

8773 4" LED Recessed Square Module
11W | 700 lms
3000K or 4000K | 90 CRI
120V
O.D. 5"

ORDERING GUIDE Example: 8773WH-90-3K

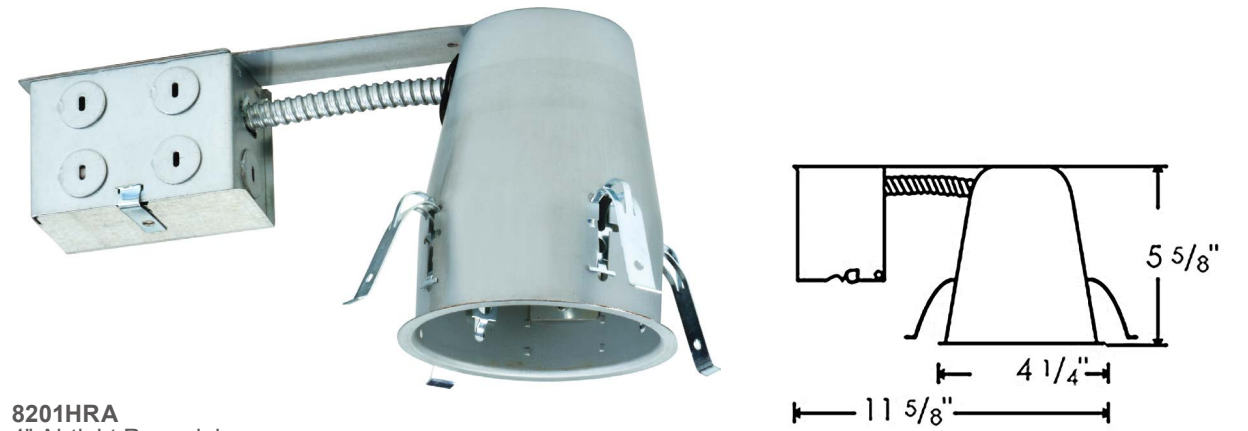
Model	Finish	CRI	CCT
8773	WH White	-90	-3K 3000K -4K 4000K

8723 4" LED Recessed Reflector
9W | 785 lms delivered
3000K | 90 CRI
120V
O.D. 5"

ORDERING GUIDE Example: 8723WH-90-3K

Model	Finish	CRI	CCT
8723	WH White	-90	-3K 3000K

4" Airtight Remodel



8201HRA
4" Airtight Remodel
Size: H 5-5/8" x L 11-5/8" x W 4-1/4"
Opening: 4-1/4"

- Airtight; Non-IC/IC Available
- Frame-in: up to 1" ceiling thickness adjustable
- 4" Nominal Aperture
- Incandescent: 50W Max
- LED: Up to 900 lms
- LED: Dimmable TRIAC, 10-100%
- cETLus Listed for damp location
- Housing: 1 Year Limited Warranty
- LED Lamps: 5 Year Limited Warranty

ORDERING GUIDE Example: 8201HA

Model
8201HRA

Trims For 8201HRA

8763 4" LED Recessed Reflector
10W | 785 lms delivered
3000K or 4000K | 90 CRI
120V
O.D. 5"

ORDERING GUIDE Example: 8763WH-90-3K

Model	Finish	CRI	CCT
8763	BN Brushed Nickel	-90	-3K 3000K -4K 4000K
	BK Black		
	OB Oil Rubbed Bronze		
	CL Clear		
	WH White		

8773 4" LED Recessed Square Module
11W | 700 lms
3000K or 4000K | 90 CRI
120V
O.D. 5"

ORDERING GUIDE Example: 8773WH-90-3K

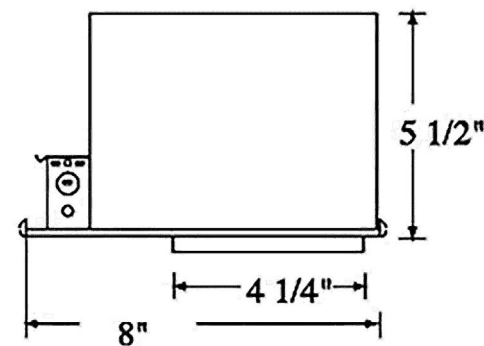
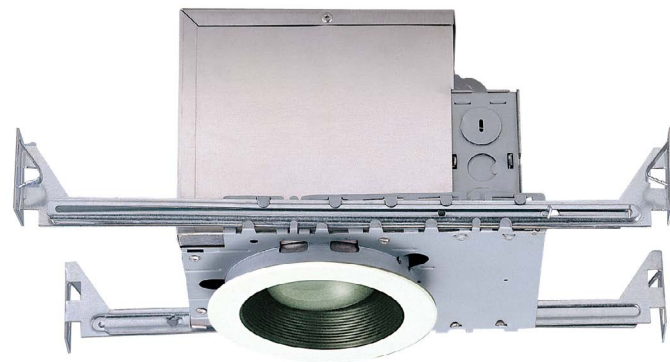
Model	Finish	CRI	CCT
8773	WH White	-90	-3K 3000K -4K 4000K

8723 4" LED Recessed Reflector
9W | 785 lms delivered
3000K | 90 CRI
120V
O.D. 5"

ORDERING GUIDE Example: 8723WH-90-3K

Model	Finish	CRI	CCT
8723	WH White	-90	-3K 3000K

4" IC Airtight Frame-In



8202HA
4" IC Airtight Frame-In
Size: H 5-1/2" x L 8" x W 5-3/4"
Opening: 4-1/4"

- Airtight; IC Rated
- Frame-in: up to 1" ceiling thickness adjustable
- 4" Nominal Aperture
- Incandescent: 50W Max
- LED: Up to 900 lms
- LED: Dimmable TRIAC, 10-100%
- cETLus Listed for damp location
- Housing: 1 Year Limited Warranty
- LED Lamps: 5 Year Limited Warranty

ORDERING GUIDE		Example: 8202HA
Model		
8202HA		

Trims For 8202HA

8763 4" LED Recessed Reflector
10W | 785 lms delivered
3000K or 4000K | 90 CRI
120V
O.D. 5"

ORDERING GUIDE		Example: 8763WH-90-3K		
Model	Finish	CRI	CCT	
8763	BN	Brushed Nickel	-90	-3K 3000K
	BK	Black		
	OB	Oil Rubbed Bronze		
	CL	Clear		
	WH	White	-4K 4000K	

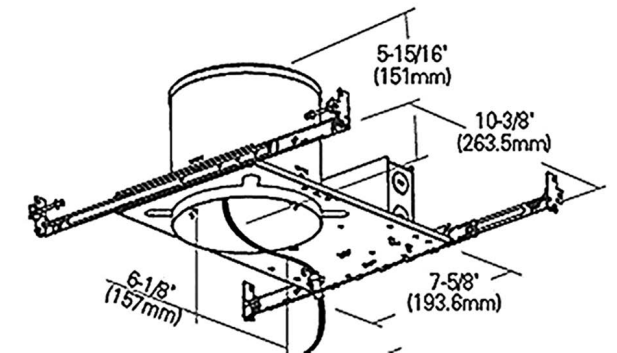
8723 4" LED Recessed Reflector
9W | 785 lms delivered
3000K | 90 CRI
120V
O.D. 5"

ORDERING GUIDE		Example: 8723WH-90-3K		
Model	Finish	CRI	CCT	
8723	WH	White	-90	-3K 3000K

8773 4" LED Recessed Square Module
11W | 700 lms
3000K or 4000K | 90 CRI
120V
O.D. 5"

ORDERING GUIDE		Example: 8773WH-90-3K		
Model	Finish	CRI	CCT	
8773	WH	White	-90	-3K 3000K
				-4K 4000K

6" LED IC Airtight Shallow Frame-In



8117HA
6" LED IC Airtight Shallow Frame-In
Size: 10-3/8" x 7-5/8" x 5-15/16"
Opening: 6-1/8"

- IC Rated for direct contact
- 1-1/4" ceiling thickness adjustable
- Trims (sold separately)
- 6" Nominal Aperture
- 50,000 Hours Project Life
- 3000K or 4000K | 80 CRI or 90 CRI
- Dimmable TRIAC, 10-100%
- cETLus Listed for damp location
- Housing: 1 Year Limited Warranty
- LED Lamps: 5 Year Limited Warranty

ORDERING GUIDE		Example: 8117HA
Model	EM Option	
8117HA		blank no EM option
	-EM	adds EM Battery Backup

Only 8523WH-90-3K-E and 8523WH-HO-90-3K trims compatible with -EM option

Trims For 8117HA

8523 Recessed White Baffle
120V | 12.5W | 928 lms
Wet Location

ORDERING GUIDE		Example: 8523WH-90-3K		
Model	Finish	CRI	CCT	Emergency
8523	OB	Oil Rubbed Bronze	-90	-3K 3000K
	WH	White		
	BN	Brushed Nickel		
			-4K 4000K	-E** : EM Option

**E option only available in WH and in 3K (8523WH-90-3K-E)

8523-E Recessed High Output Baffle
120V | 12.9W | 1208 lms delivered
Wet Location

ORDERING GUIDE		Example: 8523WH-HO-90-3K		
Model	Finish	High Output	CRI	CCT
8523	WH	White	-90	-3K 3000K
				-E** : EM Option

8562 6" LED Gimbal
13W | 900 lms
3000K | 80 CRI
120V
O.D. 7-3/4"

ORDERING GUIDE		Example: 8562WH-80-3K		
Model	Finish	CRI	CCT	
8562	BK	Black	-80	-3K 3000K
	WH	White		

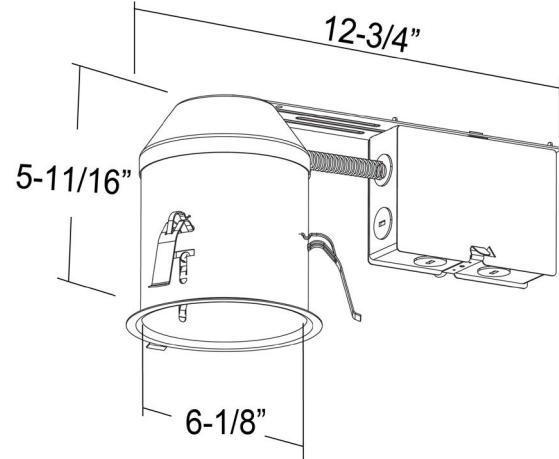
8563 6" LED Recessed Reflector Trim
12.5W | 928 lms delivered
3000K or 4000K | 90 CRI
120V
O.D. 7-1/4"

ORDERING GUIDE		Example: 8563WH-90-3K		
Model	Finish	CRI	CCT	
8563	BN	Brushed Nickel	-90	-3K 3000K
	BK	Black		
	OB	Oil Rubbed Bronze		
	CL	Clear		
	WH	White	-4K 4000K	

Specifications and dimensions subject to change.
Lumens are delivered unless otherwise noted.
See website for most current information.

Specifications and dimensions subject to change.
Lumens are delivered unless otherwise noted.
See website for most current information.

6" LED IC Airtight Shallow Remodel



8117HRA
6" LED IC Airtight Shallow Remodel
Size: 12-3/4" x 6-1/8" x 5-11/16"
Opening: 6-1/8"

- IC Rated for direct contact
- 1-1/4" ceiling thickness adjustable trims (sold separately)
- 6" Nominal Aperture
- 50,000 Hours Project Life
- 3000K or 4000K | 80 CRI or 90 CRI
- Dimmable TRIAC, 10-100%
- cETLus Listed for damp location
- Housing: 1 Year Limited Warranty
- LED Lamps: 5 Year Limited Warranty

ORDERING GUIDE Example: 8117HRA

Model	EM Option	
8117HRA	-EM	blank no EM option adds EM Battery Backup

Limited trims for -EM option

Trims For 8117HRA

8523 Recessed White Baffle
120V | 12.5W | 928 lms
Wet Location

ORDERING GUIDE Example: 8523WH-90-3K

Model	Finish	CRI	CCT	Emergency
8523	OB Oil Rubbed Bronze	-90	-3K 3000K	-E** : EM Option
	WH White		-4K 4000K	
	BN Brushed Nickel			

**-E option only available in WH and in 3K (8523WH-90-3K-E)

8523-E Recessed High Output Baffle
120V | 12.9W | 1208 lms delivered
Wet Location

ORDERING GUIDE Example: 8523WH-HO-90-3K

Model	Finish	High Output	CRI	CCT	Emergency
8523	WH White	-HO	-90	-3K 3000K	-E** : EM Option

8562 6" LED Gimbal
13W | 900 lms
3000K | 80 CRI
120V
O.D. 7-3/4"

ORDERING GUIDE Example: 8562WH-80-3K

Model	Finish	CRI	CCT
8562	BK Black	-80	-3K 3000K
	WH White		

8563 6" LED Recessed Reflector Trim
12.5W | 928 lms delivered
3000K or 4000K | 90 CRI
120V
O.D. 7-1/4"

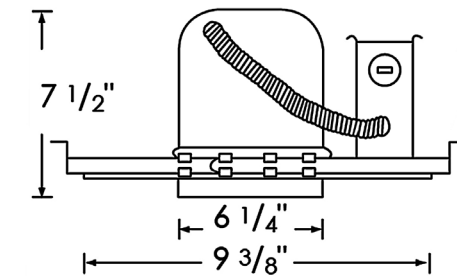
ORDERING GUIDE Example: 8563WH-90-3K

Model	Finish	CRI	CCT
8563	BN Brushed Nickel	-90	-3K 3000K
	BK Black		
	OB Oil Rubbed Bronze		
	CL Clear		
	WH White		

* CL only available in -4K

Specifications and dimensions subject to change.
Lumens are delivered unless otherwise noted.
See website for most current information.

6" IC Airtight Frame-In



8102HAQ
6" IC Airtight Frame-In
Size: H 7-1/2" x L 9-3/8" x W 6-11/16"
Opening: 6-1/4"

- IC Airtight
- Frame-in: up to 1-1/4" ceiling thickness adjustable
- 6" Nominal Aperture
- Incandescent: 75W Max
- LED: Up to 1240 lms
- LED: Dimmable TRIAC, 10-100%
- cETLus Listed for damp location
- Housing: 1 Year Limited Warranty
- LED Lamps: 5 Year Limited Warranty

ORDERING GUIDE Example: 8102HAQ

Model
8102HAQ

LED Trims For 8102HAQ

8523 6" LED Recessed Baffle
12.5W | 928 lms delivered
3000K or 4000K | 90 CRI
120V | O.D. 7-1/4"

ORDERING GUIDE Example: 8523WH-90-3K

Model	Finish	CRI	CCT
8523	BN Brushed Nickel	-90	-3K 3000K
	OB Oil Rubbed Bronze		
	WH White		

8523 Recessed High Output Baffle
120V | 12.9W | 1208 lms delivered
Wet Location

ORDERING GUIDE Example: 8523WH-HO-90-3K

Model	Finish	High Output	CRI	CCT
8523	WH White	-HO	-90	-3K 3000K

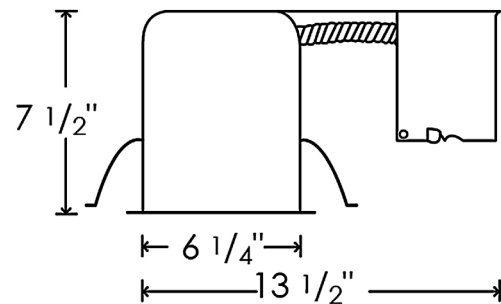
8563 6" LED Reflector
13W | 928 lms delivered
3000K or 4000K | 90 CRI
120V | O.D. 7-1/4"

ORDERING GUIDE Example: 8563WH-90-3K

Model	Finish	CRI	CCT
8563	BN Brushed Nickel	-90	-3K 3000K
	BK Black		
	OB Oil Rubbed Bronze		
	CL Clear		
	WH White		

Specifications and dimensions subject to change.
Lumens are delivered unless otherwise noted.
See website for most current information.

6" IC Airtight Remodel



8102HRA
6" IC Airtight Remodel
Size: H 7-1/2" x L 13-1/2" x W 7"
Opening: 6-1/4"

- IC Airtight
- Frame-in: up to 1-1/4" ceiling thickness adjustable
- 6" Nominal Aperture
- Incandescent: 75W Max

- LED: Up to 1240 lms
- LED: Dimmable TRIAC, 10-100%
- cETLus Listed for damp location
- Housing: 1 Year Limited Warranty
- LED Lamps: 5 Year Limited Warranty

ORDERING GUIDE

Example: 8102HRA

Model
8102HRA

LED Trims For 8102HRA

8523 6" LED Recessed Baffle
12.5W | 928 lms delivered
3000K or 4000K | 90 CRI
120V | O.D. 7-1/4"



8523 Recessed High Output Baffle
120V | 12.9W | 1208 lms delivered
Wet Location



ORDERING GUIDE

Example: 8523WH-90-3K

Model	Finish	CRI	CCT
8523	BN Brushed Nickel	-90	-3K 3000K
	OB Oil Rubbed Bronze		-4K 4000K
	WH White		

ORDERING GUIDE

Example: 8523WH-HO-90-3K

Model	Finish	High Output	CRI	CCT
8523	WH White	-HO	-90	-3K 3000K

8563 6" LED Reflector
13W | 928 lms delivered
3000K or 4000K | 90 CRI
120V | O.D. 7-1/4"

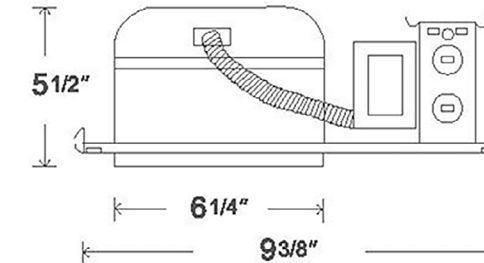


ORDERING GUIDE

Example: 8563WH-90-3K

Model	Finish	CRI	CCT
8563	BN Brushed Nickel	-90	-3K 3000K
	BK Black		-4K 4000K
	OB Oil Rubbed Bronze		
	CL Clear		
	WH White		

6" Incandescent / LED Housings



8104HICA
6" IC Airtight Shallow Frame-In
Size: H 5-1/2" x L 9-3/8" x W 7"
Opening: 6-1/4"

- IC Airtight
- Frame-in: up to 1-1/4" ceiling thickness adjustable
- 6" Nominal Aperture
- Incandescent: 75W Max

- LED: Up to 1240 lms
- LED: Dimmable TRIAC, 10-100%
- cETLus Listed for damp location
- Housing: 1 Year Limited Warranty
- LED Lamps: 5 Year Limited Warranty

ORDERING GUIDE

Example: 8104HICA

Model
8104HICA

LED Trims For 8104HICA

8523 6" LED Recessed Baffle
12.5W | 928 lms delivered
3000K or 4000K | 90 CRI
120V | O.D. 7-1/4"



8523 Recessed High Output Baffle
120V | 12.9W | 1208 lms delivered
Wet Location



ORDERING GUIDE

Example: 8523WH-90-3K

Model	Finish	CRI	CCT
8523	BN Brushed Nickel	-90	-3K 3000K
	OB Oil Rubbed Bronze		-4K 4000K
	WH White		

ORDERING GUIDE

Example: 8523WH-HO-90-3K

Model	Finish	High Output	CRI	CCT
8523	WH White	-HO	-90	-3K 3000K

8563 6" LED Reflector
13W | 928 lms delivered
3000K or 4000K | 90 CRI
120V | O.D. 7-1/4"



ORDERING GUIDE

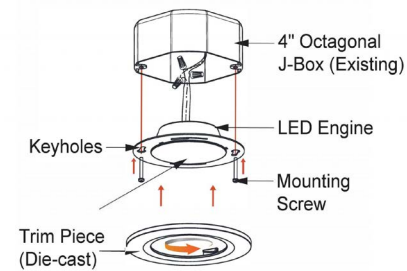
Example: 8563WH-90-3K

Model	Finish	CRI	CCT
8563	BN Brushed Nickel	-90	-3K 3000K
	BK Black		-4K 4000K
	OB Oil Rubbed Bronze		
	CL Clear		
	WH White		

Specifications and dimensions subject to change.
Lumens are delivered unless otherwise noted.
See website for most current information.

Specifications and dimensions subject to change.
Lumens are delivered unless otherwise noted.
See website for most current information.

4" LED Round Retrofit Downlight



- 120V - 60Hz
- 3000K, 4000K, -3CCT Selectable 27K, 3K, 35K | 90 CRI
- 8708-80: 12W | 943 lms | 8708-90: 11W | 691
- 8708-HO-90: 11W | 875 lms
- 50,000 hour projected life
- Dimmable TRIAC, 10-100%
- Aluminum Construction with Frosted Lens
- IC Rating
- cCSAus Listed for wet location
- Energy Star Listed (8708-90 only)
- CEC JA8 compliant (8708-90 only)
- LED Lamp: 5 Year Limited Warranty
- Other Components: 1 Year Limited Warranty
- Installs in 4" Octagonal ceiling j-box (min 2" depth); j-box supplied by others

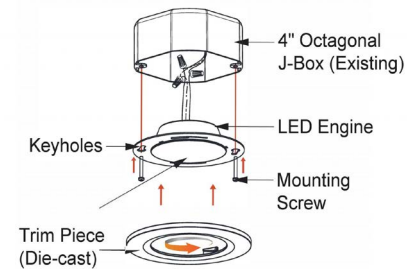
ORDERING GUIDE Example: 8708WH-3K

Model	Finish	CRI	CCT
8708	WH White	-80	80 CRI
		-90	90 CRI
		-3K -4K -3CCT*	3000K 4000K 3CCT Selectable

Model	Finish	CRI	CCT
8708	WH White	HO-90	Hight Output, 90 CRI
		-3K	3000K

*-3CCT only available in -90 CRI

4" LED Square Retrofit Downlight



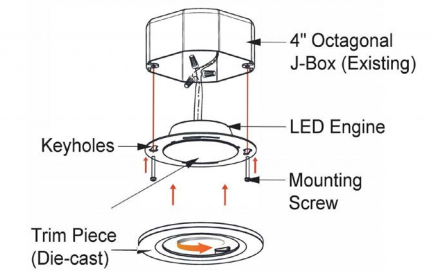
- 120V - 60Hz
- 3000K, 4000K, -3CCT Selectable 27K, 3K, 35K
- 90 CRI | 11W | 691 lms
- 50,000 hour projected life
- Dimmable TRIAC, 10-100% | Beam Angle: 110°
- Aluminum Construction with Frosted Lens
- cCSAus Listed for wet location
- Energy Star Listed (-3CCT Only)
- CEC JA8 Compliant (-3CCT Only)
- IC Rated
- LED Lamp: 5 Year Limited Warranty
- Other Components: 1 Year Limited Warranty
- Installs in 4" Octagonal ceiling j-box (min 2" depth); j-box supplied by others

ORDERING GUIDE Example: 8709WH-3K

Model	Finish	CRI	CCT
8709	WH White	-90	90 CRI
		-3K	3000K
		-4K -3CCT*	4000K Selectable

*-3CCT only available in -90 CRI

4" LED Retrofit Trim, 2.25" Aperture



- 120V - 60Hz
- 3000K, 4000K | 90 CRI | 11W | 650 lms
- 50,000 hour projected life
- Dimmable TRIAC, 10-100%
- Aluminum Construction with Frosted Lens
- cCSAus Listed for wet location
- Energy Star Listed
- CEC JA8 Compliant
- LED Lamp: 5 Year Limited Warranty
- Installs in 4" Octagonal ceiling j-box (min 2" depth); j-box supplied by others

ORDERING GUIDE Example: 8711WH-90-3K

Model	Finish	CRI	CCT
8711	WH White	-90	-3K -4K
			3000K 4000K

4" and 6" LED Ultra-Thin Light



8742-2
4" Ultra-Thin Light

8542-2
6" Ultra-Thin Light



- 120V - Ultra Slim Profile
- Durable Aluminum Construction
- 50,000 hour projected life
- Frosted Acrylic Lens
- 120° Beam Angle
- 4"-8742-2: 670 lms
- 6"-8542-2: 884 lms
- Dimmable TRIAC, 10-100%
- cETLus Listed for wet location
- Energy Star Listed
- IC Rated
- LED Lamp: 5 Year Limited Warranty
- Other Components: 1 Year Limited

ORDERING GUIDE Example: 8742-2WH-3K

Model	Finish	CRI	CCT	EM	
8742-2	4" Ultra-Thin Light	WH : White	-90 : 90 CRI	-3K : 3000K -4K : 4000K -5CCT : 27K, 3K, 35K, 4K, 5K	: blank (no EM) -EM : adds -EM option

Accessory	
PF-3/4	4" Mounting Plate
PF-6	6" Mounting Plate

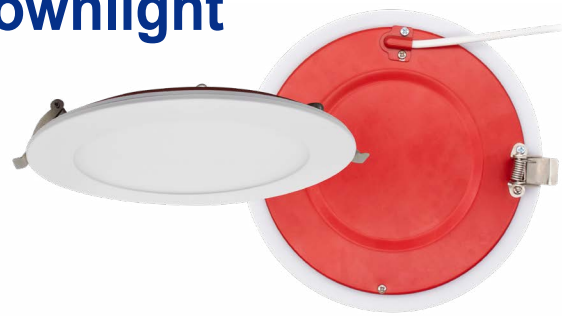


PF-3/4 and PF-6
4" or 6" Mounting Plate Accessory
New Construction Mounting Plate
Durable aluminum construction
Includes four 24" bar hanger

Specifications and dimensions subject to change.
Lumens are delivered unless otherwise noted.
See website for most current information.

Specifications and dimensions subject to change.
Lumens are delivered unless otherwise noted.
See website for most current information.

4" LED Fire-Rated Ultra-Thin Recessed Downlight



- 120V-60Hz, AC
- 5CCT Selectable | 90 CRI | 12W | 883 lms
- 50,000 hour projected life
- Dimmable TRIAC, 10-100%
- Ultra-thin 1-1/2" total trim profile
- Heat resistant steel casing and frosted acrylic lens
- cETLus listed for wet location

- 2-hour fire rating; tested to comply with UL 263, ASTM E119, and CAN ULC S101
- IC Rated | Air Tight Rated
- Energy Star Listed | CEC JA8 Compliant
- LED Light Source: 5 year limited warranty
- Other Components: 1 year limited warranty

ORDERING GUIDE

Example: 8744WH-90-5CCT

Model	Finish	CRI	CCT	EM
8744	WH White	-90 90 CRI	-5CCT Selectable 27K, 3K, 35K, 4K, 5K	: blank (no EM) :adds -EM option

Accessory

PF-3/4 4" Mounting Plate



PF-3/4
4" Mounting Plate Accessory
New Construction Mounting Plate
Durable aluminum construction
Includes four 24" bar hanger

6" LED Fire-Rated Ultra-Thin Recessed Downlight



- 120V-60Hz, AC
- 5CCT Selectable | 90 CRI | 15W | 1046 lms
- 50,000 hour projected life
- Dimmable TRIAC, 10-100%
- Ultra-thin 1-1/2" total trim profile
- Heat resistant steel casing and frosted acrylic lens
- cETLus listed for wet location

- 2-hour fire rating; tested to comply with UL 263, ASTM E119, and CAN ULC S101
- IC Rated | Air Tight Rated
- Energy Star Listed | CEC JA8 Compliant
- LED Light Source: 5 year limited warranty
- Other Components: 1 year limited warranty

ORDERING GUIDE

Example: 8544WH-90-5CCT

Model	Finish	CRI	CCT	EM
8544	WH White	-90 90 CRI	-5CCT Selectable 27K, 3K, 35K, 4K, 5K	: blank (no EM) :adds -EM option

Accessory

PF-6 New Construction Mounting Plate



PF-6
New Construction Mounting Plate

3" LED Ultra-Thin Light



8842
3" Ultra-Thin Light

- 120V - Ultra Slim Profile
- Durable Aluminum Construction
- Frosted Acrylic Lens
- 120° Beam Angle
- 7W | 466 lms
- Dimmable TRIAC, 10-100%
- IC Rated
- cETLus Listed for wet location
- Energy Star Listed
- LED Lamp: 5 Year Limited Warranty
- Other Components: 1 Year Limited

ORDERING GUIDE

Example: 8842WH-3K

Model	Finish	CCT
8842-1	3" Ultra-Thin Light	WH White -3K 3000K

Accessory

PF-3/4 3" Mounting Plate



PF-3/4
3" Mounting Plate Accessory
New Construction Mounting Plate
Durable aluminum construction
Includes four 24" bar hanger

4" IC Rated, LED Retrofit & New Construction J-Box Downlight



- 120V - 60Hz
- 3000K, 4000K | 90 CRI | 12.7W | 805 lms
- 50,000 hour projected life
- Dimmable TRIAC, 10-100%
- Aluminum Construction with Frosted Lens
- IC Rated
- cCSAus Listed for wet location
- Energy Star Listed
- CEC JA8 Compliant
- LED Lamp: 5 Year Limited Warranty
- Other Components: 1 Year Limited

ORDERING GUIDE

Example: 8775WH-90-3K

Model	Finish	CRI	CCT	Emergency
8775	WH White	-90 90 CRI	-3K 3000K -4K 4000K	: blank (no EM) :adds -EM option

Accessory

PF-3/4 4" Mounting Plate



PF-3/4
4" Mounting Plate Accessory
New Construction Mounting Plate
Durable aluminum construction
Includes four 24" bar hanger

4" IC Rated, LED Recessed Adjustable Gimbal J-Box Downlight



- 120V - 60Hz
- 3000K | 90 CRI | 11.5W | 730 lms
- 50,000 hour projected life
- Dimmable TRIAC, 10-100%
- 360° Rotational Axis Point
- Aluminum Construction
- IC Rated
- cCSAus Listed for wet location
- Energy Star Listed
- CEC JA8 Compliant
- LED Lamp: 5 Year Limited Warranty
- Other Components: 1 Year Limited

ORDERING GUIDE

Example: 8776WH-90-3K

Model	Finish	CRI	CCT
8776	WH White	-90 90 CRI	-3K 3000K
Accessory			
PF-3/4	4" Mounting Plate		



PF-3/4
4" Mounting Plate Accessory

6" IC Rated, LED Retrofit & New Construction J-Box Downlight



- 120V - 60Hz
- 3000K, 4000K | 90 CRI | 21W | 1450 lms
- 50,000 hour projected life
- Dimmable TRIAC, 10-100%
- Aluminum Construction with Frosted Lens
- IC Rated
- cCSAus Listed for wet location
- Energy Star Listed
- CEC JA8 Compliant
- LED Lamp: 5 Year Limited Warranty
- Other Components: 1 Year Limited

ORDERING GUIDE

Example: 8545WH-90-3K

Model	Finish	CRI	CCT	Emergency
8545	WH White	-90 90 CRI	-3K 3000K -4K 4000K	: blank (no EM) -EM :adds -EM option
Accessory				
PF-6	6" Mounting Plate			



PF-6
6" Mounting Plate Accessory

Recessed Lighting Accessories

8096A

Nail-Less Bar Hanger



8096B

Two Piece Bar Hanger set
24" Joist Span



FF109-300

One hour fire rated light cover, regular



Mounting Plate PF-3/4 - 4" Mounting Plate



Mounting Plate PF-6 - 6" Mounting Plate



FF109X

Two hour fire rated light cover, regular



FF109-350

One hour fire rated light cover, large



8998C

One hour fire rated light cover, large





Wall Mount / Ceiling Mount Lighting Overview

 <p>4319 Edge-Lit LED Ribbon Ceiling Mount Page 114</p>	 <p>4506 Edge-Lit LED Ribbon Wall Mount Page 114</p>	 <p>8739-1, 8536-1 8539-1, 8537 5", 7", 9" Slim Round Disk Page 115, 116</p>	 <p>4350-1 11", 13", 15" LED Ceiling Mount Page 117</p>
 <p>4325D-1, 4326D-1, 4327D-1 12", 14", or 16" LED Ceiling Mount or Wall Mount Page 117</p>	 <p>4325D-2, 4326D-2, 4327D-2 12", 14", or 16" LED Ceiling Mount or Wall Mount Page 118</p>	 <p>4352-17 17" LED Round Ceiling Mount Page 118</p>	 <p>8748, 8548 4", 6" Low-Profile Square Ceiling Mount Page 119</p>
 <p>4328-1, 4329-1, 4330-1 11", 13", 15" LED Square Ceiling Mount Page 123</p>	 <p>4313-1, 4314-, 4318-2 Flush Round Ceiling Mount Page 120</p>	 <p>4345-2-30 Flush Round Ceiling Mount Page 121</p>	 <p>4347 11", 13", 15" Dome Ceiling Mount Page 122</p>
 <p>4348-1 11", 13" Ceiling Mount Page 122</p>	 <p>8756, 8556 4", 6" Low-Profile Disk Light Page 123, 124</p>	 <p>8538 7" Flat Lens Disk Page 125</p>	 <p>4340 Flush Round LED Ceiling Mount Page 121</p>
 <p>8556-S 6" LED Low-Profile Closet Light Page 124</p>	 <p>8554 9" LED High Lumen Disk Page 125</p>	 <p>4336, 4337, 4338 12", 14", 16" Dome Ceiling Mount Page 126</p>	 <p>4341-1, 4342-1 12" or 14" Semi-Flush Round Ceiling Mount Page 123</p>
 <p>4505-30 12" Half-Circle Wall Sconce Page 126</p>	 <p>4503-30 8" LED Wall Sconce Page 127</p>	 <p>4404-30 LED Indoor Wall Sconce Page 127</p>	

Specifications and dimensions subject to change.
Lumens are delivered unless otherwise noted.
See website for most current information.

Edge-Lit LED Ribbon



4319



4506



Matching Vanities on Page 135



Matching Suspended on Page 138

- 120V - 60Hz
- 3000K | 80 CRI
- Dimmable TRIAC, 10-100%
- Metal construction with acrylic diffuser
- 4319: 15-3/4" x 4-1/8" | 25W | 1450 lms
- 4506: 10" x 4-1/8" x 3-1/4" | 9W | 500 lms
- cETLus Listed for damp location
- 5 Year Limited Warranty

ORDERING GUIDE

Example: 4506BN

Model	Motor / Blade Finish
4319	BN Brushed Nickel
4506	BN Brushed Nickel

5" Slim Round Disk



BN



BK



WH

- 120V - 60Hz
- 3000K, 4000K | 90 CRI
- Dimmable TRIAC, 10-100%
- Steel housing with plastic lens
- 8739-1: 5-5/8" x 3/4" | 12W | 722 lms
- 8739-1WH-HO: 5-5/8" x 3/4" | 10.1W | 904 lms
- Energy Star Listed
- CEC JA8 Compliant (HO Version Only)
- CSAus Listed for wet location
- 5 Year Limited Warranty

ORDERING GUIDE

Example: 8739-1WH-90-3K

Model	Finish	CRI	CCT	Retrofit
8739-1	BK	-90	-3K -4K	3000K 4000K
	BN			
	WH			
	Black Brushed Nickel White			blank -R
				no retrofit option adds retrofit

Model	Finish	HO	CRI	CCT	Retrofit
8739-1	WH	White	-HO	-90	-3K
					blank -R
					no retrofit option adds retrofit

7" Slim Round Disk



BN



BK



OB



WH

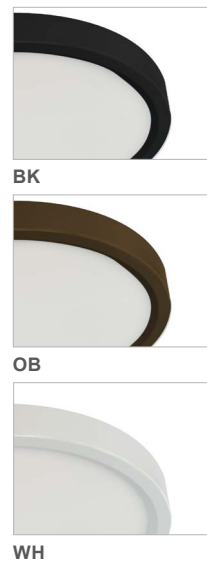
- 120V - 60Hz
- 90 CRI | 15.5W | 1080 lms
- 3000 or 4000K or 5CCT selectable: 27K, 3K, 35K, 4K, 5K
- Dimmable TRIAC, 10-100%
- Steel housing with plastic lens
- 8536-1: 7" x 3/4"
- Energy Star Listed
- JA8 Listed (90 CRI Only Dedicated CCT)
- CSAus Listed for wet location
- 5 Year Limited Warranty
- Compatible with 4785-EM Battery Backup

ORDERING GUIDE

Example: 8536-1WH-90-3K

Model	Finish	CRI	CCT	Retrofit
8536-1	BK	-90	-3K -4K 5CCT	3000K 4000K 27K, 3K, 35K, 4K, 5K selectable
	BN			
	OB			
	WH			
	Black Brushed Nickel Oil Rubbed Bronze White			blank -R
				no retrofit option adds retrofit

7" Slim Round High-Output Disk



- 120V - 60Hz
- -HO-90 CRI | 15.1W | 1267 lms
- 3000 or 4000K or 5CCT selectable: 27K, 3K, 35K, 4K, 5K
- Dimmable TRIAC, 10-100%
- Steel housing with plastic lens
- 8536-1: 7" x 3/4"
- Energy Star Listed
- JA8 Listed (90 CRI Only Dedicated CCT)
- CSAus Listed for wet location
- 5 Year Limited Warranty
- Compatible with 4785-EM Battery Backup

ORDERING GUIDE

Example: 8536-1WH-HO-90-3K

Model	Finish	CRI	CCT	Retrofit
8536-1	BK	Black	-HO-90	-3K 3000K
	BN	Brushed Nickel		-4K 4000K
	OB	Oil Rubbed Bronze		-5CCT* 27K, 3K, 35K, 4K, 5K selectable
	WH	White		-R blank no retrofit option adds retrofit

* -5CCT available only in WH and OB

9" LED Slim Round Disk



- 120V
- 3000K | 90 CRI, HO-90 CRI
- Dimmable Triac or ELV, 10-100%
- Hard metal backplate with Frosted Acrylic diffuser
- 8537: 9-1/16" x 1-1/4" | 18.5W | 1325 lms
- 8537WH-HO-90: 9-1/16" x 1-1/4" | 18.5W | 1460 lms
- CSAus Listed for wet location
- 5 Year Limited Warranty

ORDERING GUIDE

Example: 8537WH-HO-90-3K

Model	Finish	CRI	CCT
8537	BN	Brushed Nickel	-90 -HO-90*
	WH	White	-3K 3000K

* -HO-90 option available only in WH

11" / 13" / 15" Flat Lens Thin Profile



- 120V - 60Hz
- 3000K or 4000K | 90 CRI
- Dimmable TRIAC, 10-100%
- Steel construction with acrylic diffuser
- 11" W x 1" D | 15W | 1000 lms
- 13" W x 1" D | 20W | 1450 lms
- 15" W X 1" D | 30W | 1900 lms
- JA8/Title 24 Listed
- cETLus Listed for damp location
- 5 Year Limited Warranty

ORDERING GUIDE

Example: 4350-1WH-3K-15

Model	Motor / Blade Finish	CCT	Size
4350-1	BN	Brushed Nickel	-11 11"
	WH	White	-13 13"
			-15 15"

12" / 14" / 16" Round Ceiling Mount



- 120V - 60Hz
- 3000K | 80 CRI
- Steel construction with polycarbonate diffuser
- 4325D-1: 12-13/16" x 3-7/16" | 15W | 1049 lms
- 4326D-1: 13-13/16" x 3-13/16" | 23W | 1512 lms
- 4327D-1: 15-13/16" x 4" | 34W | 1908 lms
- CSAus Listed
- 5 Year Limited Warranty

ORDERING GUIDE

Example: 4325D-1-30-OB-EM

Model	Motor / Blade Finish	EM Option
4325D-1-30		
Not Energy Star Listed		
4326D-1-30	-OB Oil Rubbed Bronze	blank no EM option
Not Energy Star Listed	-WH White	-EM adds EM option
4327D-1-30		
Energy Star Listed		

Specifications and dimensions subject to change. Lumens are delivered unless otherwise noted. See website for most current information.

Specifications and dimensions subject to change. Lumens are delivered unless otherwise noted. See website for most current information.

12" / 14" / 16" Round Ceiling Mount



BN

- 120V - 60Hz
- 3000K | 80 CRI
- Steel construction with polycarbonate diffuser
- 4325D-2: 12-13/16" x 3-7/16" | 15W | 1138 lms
- 4326D-2: 13-13/16" x 3-13/16" | 23W | 1590 lms
- 4327D-2: 15-13/16" x 4" | 34W | 1900 lms
- CSAus Listed
- 5 Year Limited Warranty

ORDERING GUIDE

Example: 4325D-2-30-BN-EM

Model	Motor / Blade Finish	EM Option	
4325D-2-30	-BN Brushed Nickel (Plated, not painted)	blank -EM	no EM option
4326D-2-30			adds EM option
4327D-2-30			

17" LED Round Slim Surface Light 5CCT Selectable



WH

- 5CCT Selectable | 90 CRI
- 27K | 30.6W | 2606
- 3K | 30.9W | 2776
- 35K | 31.1W | 2940
- 4K | 30.7W | 2897
- 5K | 30.5W | 2821
- Dimmable TRIAC, 10-100%
- Steel construction with frosted polycarbonate lens
- 17" x 3/4" H
- CEC JA8 Compliant
- CSAus Listed for damp location
- 5 Year Limited Warranty



BN

ORDERING GUIDE

Example: 4352WH-17-5CCT

Model	Finish	Size	CCT	
4352	WH	-17 17"	-5CCT	2700K, 3000K,
	BN			3500K, 4000K, 5000K

11" / 13" / 15" Square Ceiling Mount



BN

- 120V - 60Hz
- 3000K or 4000K | 90 CRI
- Dimmable TRIAC, 10-100%
- Steel construction with acrylic diffuser
- 4328-1: 11" square | 15W | 1000 lms
- 4329-1: 13" square | 20W | 1200 lms
- 4330-1: 15" square | 30W | 1800 lms
- Low-profile 1-1/4" height
- JA8/Title 24 Compliant
- ETL Listed for damp location
- 5 Year Limited Warranty



WH

ORDERING GUIDE

Example: 4328-1BN-3K

Model	Finish	CCT	
4328-1	BN Brushed Nickel WH White	-3K	3000K
4329-1		-4K	4000K
4330-1			

5" / 7" Square Ceiling Mount



WH

- 120V - 60Hz
- 3000K, 4000K | 90 CRI
- Dimmable TRIAC, 10-100%
- Steel construction with acrylic diffuser
- Mounting bracket included, must install on new construction J-box
- 8548: 7-5/16" x 9/16" | 15W | 907 lms
- 8748: 4-15/16" x 9/16" | 10W | 625 lms
- cCSAus Listed for wet location
- 5 Year Limited Warranty



OB



BK*

BN

ORDERING GUIDE

Example: 8548WH-90-3K

Model	Finish	CRI	CCT	
8748 8548	BK	-90	-3K	3000
	BN			4000
	OB			
	WH			

* - Only available for 8548

Flush Round Ceiling Mount



OB

- 120V - 60Hz
- 3000K | 80 CRI
- Dimmable TRIAC, 10-100%
- Steel construction with acrylic diffuser
- 4313-1: 11-13/16" x 3-7/16" | 15W | 1049 lms
- 4314-1: 14-5/8" x 4-13/16" | 23W | 1512 lms
- 4318-1: 17-11/16" x 4-3/16" | 34W | 1908 lms
- CSA Listed for damp location
- 5 Year Limited Warranty



WH

ORDERING GUIDE

Example: 4314-1-30-OB-EM

Model	Finish	EM Option
4313-1-30	-OB Oil Rubbed Bronze	Blank
4314-1-30	-WH White	-EM no EM option
4318-1-30		add EM option

Flush Round Ceiling Mount



BN

- 120V - 60Hz
- 3000K | 80 CRI
- Dimmable TRIAC, 10-100%
- Steel construction with acrylic diffuser
- 4313-2: 11-13/16" x 3-7/16" | 15W | 1049 lms
- 4314-2: 14-5/8" x 4-13/16" | 23W | 1512 lms
- 4318-2: 17-11/16" x 4-3/16" | 34W | 1908 lms
- CSA Listed for damp location
- 5 Year Limited Warranty

ORDERING GUIDE

Example: 4314-2-30-BN-EM

Model	Finish	EM Option
4313-2-30	-BN Brushed Nickel	Blank
4314-2-30	(Plated, not painted)	-EM no EM option
4318-2-30		add EM option

Flush Oval Ceiling Mount



BN

- 120V - 60Hz
- 3000K | 80 CRI
- Dimmable TRIAC, 10-100%
- Steel construction with acrylic diffuser
- 32" x 18" x 4" | 35W | 2600 lms
- cETLus Listed for damp location
- 5 Year Limited Warranty

ORDERING GUIDE

Example: 4345-2-30-BN

Model	Finish
4345-2-30	-BN Brushed Nickel

Flush Round Ceiling Mount



BN

- 120V - 60Hz
- 3000K | 80 CRI
- Dimmable TRIAC, 10-100%
- Steel construction with acrylic diffuser
- 4340-30: 16-3/4"D x 4" H | 23W | 1600 lms
- cETLus Listed for damp location
- 5 Year Limited Warranty



OB

ORDERING GUIDE

Example: 4340BN

Model	Finish
4340	BN OB Brushed Nickel Oil Rubbed Bronze

11" / 13" / 15" Dome Ceiling Mount



BN



WH



OB

- 120V - 60Hz
- 3000K | 80 CRI
- Dimmable TRIAC, 10-100%
- Steel construction with Alabaster Glass
- 11": 11-1/4" x 4-1/2" | 15W | 1100 lms
- 13": 13" x 5-1/4" | 20W | 1500 lms
- 15": 15" x 5-3/8" | 25W | 1800 lms
- cETLus Listed for damp location
- 5 Year Limited Warranty

ORDERING GUIDE

Example: 4347BN-11-3K

Model	Finish	Size	CCT
4347	BN	Brushed Nickel	-11 11"
	OB	Oil Rubbed Bronze	-13 13"
	WH	White	-15 15"
			-3K 3000

11" / 13" Ceiling Mount



BN

- 120V - 60Hz
- 3000K | 80 CRI
- Dimmable TRIAC, 10-100%
- Steel construction with frosted glass
- 11": 11-1/2" x 3-3/8" | 15W | 950 lms
- 13": 13-3/8" x 4" | 25W | 1400 lms
- cETLus Listed for damp location
- 5 Year Limited Warranty

ORDERING GUIDE

Example: 4348-1OB-13-3K

Model	Finish	Size	CCT
4348-1	BN	Brushed Nickel	-11 11"
	OB	Oil Rubbed Bronze	-13 13"
	WH	White	-13 13"
			-3K 3000

LED Semi-Flush Mount Ceiling Fixture



BN

- 120V
- 3000K | 80 CRI
- Dimmable TRIAC or ELV, 10-100%
- Hard metal construction with acrylic lens
- 4341-1: 15W | 920 lms delivered
- 4342-1: 24W | 1432 lms delivered
- 4341-1: 11-3/4" W x 3-1/2" H x 9-7/8" OH
- 4342-1: 14-5/8" W x 4-1/4" H x 10-5/8" OH
- CSAus Listed for damp location
- 5 Year Limited Warranty

ORDERING GUIDE

Example: 4341-1BN

Model	Finish	Size
4341-1	BN	-12 12"
4342-1		-14 14"

7" Low-Profile Closet Light with PIR Motion Sensor



WH

- 120V - 60Hz
- 3000K | 90 CRI
- Dimmable TRIAC, 10-100%
- Aluminum Construction
- 7-3/8" x 1-3/8" | 15W | 900 lms
- Integrated PIR Sensor
- Wall or Ceiling Mount
- CSAus Listed for wet location
- JA8/Title 24 Compliant
- 5 Year Limited Warranty

ORDERING GUIDE

Example: 8556WH-S-90-3K

Model	Finish	Sensor	CRI	CCT
8556	WH	-S	-90	90 CRI
				-3K 3000
				-3CCT 27K, 3K, 35K

Specifications and dimensions subject to change. Lumens are delivered unless otherwise noted. See website for most current information.

Specifications and dimensions subject to change. Lumens are delivered unless otherwise noted. See website for most current information.

5" Low-Profile Disk



- 120V - 60Hz
- 3000K | 90 CRI
- Dimmable TRIAC, 10-100%
- Aluminum housing with polycarbonate lens
- 5-7/8" x 1-1/8" | 12W | 710 lms
- cCSAus Listed for wet location
- 5 Year Limited Warranty

ORDERING GUIDE

Example: 8756BN-90-3K-R

Model	Finish	CRI	CCT	Retrofit		
8756	BN	-90	-3K	3000	blank	no retrofit option
	WH				-R	adds retrofit

7" Low-Profile Disk



- 120V - 60Hz
- 27000K, 3000K, 4000K, 5CCT
- Selectable
- 90 CRI, -HO-90
- Dimmable TRIAC, 0-100%
- Steel housing with polycarbonate lens
- 7-3/8" x 1-1/4"
- -90 | 15W | 929 lms
- HO-90 | | 15.1W | 1170 lms
- cCSAus Listed for wet location
- JA8/Title 24 Compliant
- 5 Year Limited Warranty

ORDERING GUIDE

Example: 8556BN-90-3K-R

Model	Finish	CRI	CCT	Retrofit		
8556	BN	-90	-27K	2700	blank	no retrofit option
	BK		-3K	3000		
	WH		-4K	4000		
			-5CCT**	27K, 3K, 35K, 4K, 5K		
Model	Finish	CRI	CCT	Retrofit		
8556	WH	-HO-90	-3K -5CCT	3000 27K, 3K, 35K, 4K, 5K	blank -R	no retrofit option adds retrofit

* Available in -3K or -4K only

**Available in WH only

Specifications and dimensions subject to change.
Lumens are delivered unless otherwise noted.
See website for most current information.

7" Flat Lens Disk



- 120V - 60Hz
- 3000K, 4000K | 90 CRI
- Dimmable TRIAC, 10-100%
- Steel housing with plastic lens
- 7-3/8" x 1"
- -90: 15W | 993 lms
- -HO-90: 15W | 1144 lms
- CSAus Listed for wet location
- JA8/Title 24 Compliant
- 5 Year Limited Warranty

ORDERING GUIDE

Example: 8538WH-90-3K

Model	Finish	CRI	CCT	Retrofit		
8538	BK	-90	-3K	3000	blank	no retrofit option
	BN		-4K	4000		
	OB		-5CCT*	27K, 3K, 35K, 4K, 5K		
	WH					
Model	Finish	CRI	CCT	Retrofit		
8538	WH	-HO-90	-3K -4K	3000 4000	blank -R	no retrofit option adds retrofit

**Available in WH only

9" LED Low-Profile Disk Light



- 120V - 60Hz
- 50,000 hour projected life
- 3000K, 4000K | 90 CRI
- Dimmable TRIAC, 10-100%
- Aluminum Construction
- 9-1/2" x 1-1/4" | 30W | 2185 lms
- 16.1W | 1183 lms
- Energy Star Listed
- CSAus Listed for wet location
- JA8/Title 24 Compliant
- LED Lamp: 5 Year Limited Warranty
- Other Components: 1 Year Limited

ORDERING GUIDE

Example: 8554WH-90-3K

Model	Finish	Wattage	CRI	CCT	
8554	WH	-16W	-90	-3K -4K	3000 4000

Specifications and dimensions subject to change.
Lumens are delivered unless otherwise noted.
See website for most current information.

12" / 14" / 16" Dome Ceiling Mount



WH

- 120V - 60Hz
- 3000K | 90 CRI
- 50,000 Hour Projected Life
- Dimmable TRIAC, 10-100%
- Steel construction with acrylic diffuser
- 4336: 11-11/16" x 3-7/8" | 15W | 953 lms
- 4337: 14-1/8" x 4" | 23W | 1319 lms
- 4338: 16-1/2" x 4-7/16" | 34W | 1817 lms
- CSAus Listed for damp location
- LED Lamp: 5 Year Limited Warranty
- Other Components: 1 Year Limited

ORDERING GUIDE

Example: 4336WH

Model	Finish
4336	
4337	WH White
4338	

Half-Circle Wall Sconce



BN

- 120V - 60Hz
- 3000K | 80 CRI
- 50,000 Hour Projected Life
- Dimmable TRIAC, 10-100%
- Steel construction with acrylic diffuser
- 12" x 6" x 3-1/2" | 12W | 840 lms
- cETLus Listed for damp location
- Integrated LED: 5 Year Limited Warranty
- Other Components: 1 Year Limited

ORDERING GUIDE

Example: 4505-30-BN

Model	Finish
4505-30	-BN Brushed Nickel

8" Wall Sconce



BN



WH

- 120V - 60Hz
- 3000K | 80 CRI
- 50,000 Hour Projected Life
- Dimmable TRIAC, 10-100%
- Steel construction with glass diffuser
- 8" x 8" x 4" | 9W | 630 lms
- cETLus Listed for damp location
- LED Lamp: 5 Year Limited Warranty
- Other Components: 1 Year Limited

ORDERING GUIDE

Example: 4503-30-BN

Model	Finish
4503-30	-BN Brushed Nickel -WH White

Indoor Residential Wall Sconce



BN



see 4406-30 for Wet Listed Outdoor use pg 178

- 120V - 60Hz
- 3000K | 80 CRI
- 50,000 Hour Projected Life
- Dimmable TRIAC, 10-100%
- Steel construction with acrylic diffuser
- 7" x 9-7/8" x 3-3/8" | 15W | 800 lms
- cETLus Listed for damp location
- LED Lamp: 5 Year Limited Warranty
- Other Components: 1 Year Limited Warranty

ORDERING GUIDE

Example: 4404-30-BN

Model	Finish
4404-30	-BN Brushed Nickel



Vanity Light Overview



4909-XX
2, 3, 4 Light Square Shade Vanity
Page 130



4911-XX
2, 3, 4 Clear Lamp Vanity
Page 130



4910-XX
2, 3, 4 Inner Opal Glass Vanity
Page 131



4906-1-XX
18", 24", 36", 48" Linear Vanity
Page 131



4918-XX
1, 2, 3, 4 Light No Lamp Vanity
Page 132



4907
18", 24", 36", 48" Square Linear
Vanity
Page 133



4917
18", 24", 36", 48" Round Linear Vanity
Page 134



4506
Curved LED Ribbon Vanity Light
Page 135



4905XX
Linear Edge-lit Ribbon Vanity Light
Page 135

Warranty Information



Integrated LED Lights



Other Components

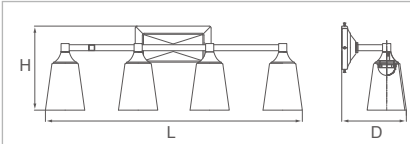
Specifications and dimensions subject to change.
Lumens are delivered unless otherwise noted.
See website for most current information.

Square Shade E26 LED Vanity Light



- Stainless Steel with Frosted Glass Square Shade
- 3000K | 80 CRI
- 50,000 hour projected life
- 9W E26 A19 LED Lamps Included
- Dimmable TRIAC, 10-100%
- Mount either Up or Down position
- cETLus Listed for damp location
- CEC JA8 Compliant
- 1 Year Limited Warranty

DIMENSIONS



4909-2	L: 11-3/4" H: 8-3/4" D: 7"
4909-3	L: 19-1/2" H: 8-3/4" D: 7"
4909-4	L: 27-1/8" H: 8-3/4" D: 7"

ORDERING GUIDE

Example: 4909BN-2

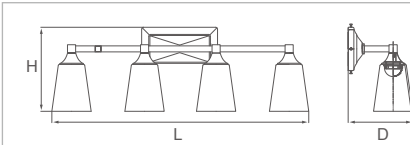
Model	Finish	Number of Shades
4909 Integrated LED	BN Brushed Nickel	-2
		-3
		-4

Clear Lamp LED Vanity Light



- Stainless Steel with Clear Glass Round Tapered Shade
- 3000K | 90 CRI | 800 lms
- Dimmable TRIAC or ELV, 10-100%
- E26 Socket | 8.5W Clear LED Lamps Included
- Mount either Up or Down position
- cETLus Listed for damp location
- CEC JA8 Compliant
- 1 Year Limited Warranty

DIMENSIONS



4911-2	L: 15" H: 10-1/4" D: 6-3/8"
4911-3	L: 22-1/2" H: 10-1/4" D: 6-3/8"
4911-4	L: 31-1/8" H: 10-1/4" D: 6-3/8"

ORDERING GUIDE

Example: 4911BN-2

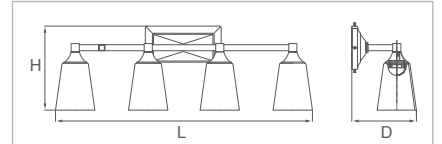
Model	Finish	Number of Shades
4911	BN MBK Brushed Nickel Matte Black	-2
		-3
		-4

Inner Opal Glass E26 A19 LED Vanity



- Stainless Steel and Clear Outer Glass with Inner Opal Glass
- 3000K | 90 CRI | 800 lms
- 9W E26 A19 LED Lamps Included
- Dimmable TRIAC, 10-100%
- Mount either Up or Down position
- cETLus Listed for damp location
- CEC JA8 Compliant
- 1 Year Limited Warranty

DIMENSIONS



4910-2	L: 13-3/4" H: 11" D: 5-3/4"
4910-3	L: 22-3/4" H: 11" D: 5-3/4"
4910-4	L: 31-3/4" H: 11" D: 5-3/4"

ORDERING GUIDE

Example: 4910BN-2

Model	Finish	Number of Shades
4910	BN Brushed Nickel	-2
		-3
		-4

Linear LED Vanity Light



- Steel with Opal diffused acrylic lens
- 3000K | 80 CRI
- 50,000 Hour Projected Life
- 4906-1-18: 20W | 1469 lms (Delivered)
- 4906-1-24: 24W | 1706 lms (Delivered)
- 4906-1-36: 28W | 2380 lms (Delivered)
- 4906-1-48: 32W | 3067 lms (Delivered)
- Dimmable TRIAC, 10-100%
- Horizontal or Vertically Mounted
- Beam Angle 120°
- cETLus Listed for damp location
- LED Lamp: 5 Year Limited Warranty
- Other Components: 1 Year Limited Warranty

DIMENSIONS



4906-1-18	L: 18" H: 5-3/4" D: 4-3/4"
4906-1-24	L: 24" H: 5-3/4" D: 4-3/4"
4906-1-36	L: 36" H: 5-3/4" D: 4-3/4"
4906-1-48	L: 48" H: 5-3/4" D: 4-3/4"

ORDERING GUIDE

Example: 4906-1BN-18

Model	Finish	Length
4906-1	BN Brushed Nickel	-18
		-24
		-36
		-48

Specifications and dimensions subject to change. Lumens are delivered unless otherwise noted. See website for most current information.

Specifications and dimensions subject to change. Lumens are delivered unless otherwise noted. See website for most current information.

Round Shade Vanity Light



4918-1



4918-2



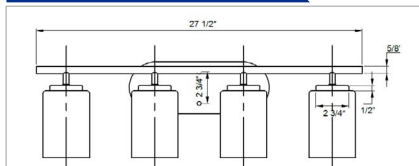
4918-3



4918-4

- 120V - 60 Hz
- Stainless Steel with Frosted Opal Glass Shades
- 4918-1: 1 E26 A19 Lamp Sold Separately
- 4918-2: 2 E26 A19 Lamps Sold Separately
- 4918-3: 3 E26 A19 Lamps Sold Separately
- 4918-4: 4 E26 A19 Lamps Sold Separately
- Mounted either Up or Down position
- cETLus Listed for damp location
- 1 Year Limited Warranty on other components

DIMENSIONS



4918-1	L: 4"	H: 8-1/2"	D: 10"
4918-2	L: 13"	H: 5-1/4"	D: 10"
4918-3	L: 20"	H: 5-1/4"	D: 10"
4918-4	L: 27-1/2"	H: 5-1/4"	D: 10"

ORDERING GUIDE

Model	Finish	Number of Shades
4918 E26 A19 LED	BN MBK	Brushed Nickel
		Matte Black
		-1
		-2
		-3
		-4

Example: 4918BN-1

Specifications and dimensions subject to change. Lumens are delivered unless otherwise noted. See website for most current information.

Slim Square Linear Vanity Light



4907-18



4907-24



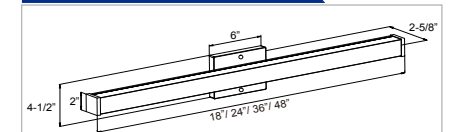
4907-36



4907-48

- 120V - 60 Hz
- 50,000 hour projected life
- Steel with linear diffused acrylic lens
- 3000K | 90 CRI
- 18": 12W | 1080 lms | 700 lms
- 24": 15W | 1350 lms | 900 lms
- 36": 25W | 2250 lms | 1600 lms
- 48": 30W | 2700 lms | 2000 lms
- Dimmable TRIAC, 10-100%
- Horizontal or Vertically Mounted
- Beam Angle 120°
- cETLus Listed for damp location
- CEC JA8 Compliant (BN finish only)
- LED Lamp: 5 Year Limited Warranty
- Other Components: 1 Year Limited Warranty

DIMENSIONS



4907-18	L: 18"	H: 4-1/2"	D: 2-5/8"
4907-24	L: 24"	H: 4-1/2"	D: 2-5/8"
4907-36	L: 36"	H: 4-1/2"	D: 2-5/8"
4907-48	L: 48"	H: 4-1/2"	D: 2-5/8"

ORDERING GUIDE

Model	Finish	Length
4907	BN MBK	Brushed Nickel
		Matte Black
		-18
		-24
		-36
		-48

Example: 4907BN-24

Specifications and dimensions subject to change. Lumens are delivered unless otherwise noted. See website for most current information.

Slim Round Linear Vanity Light



DIMENSIONS		
	4917-18	L: 18" H: 4-1/2" D: 3"
	4917-24	L: 24" H: 4-1/2" D: 3"
	4917-36	L: 36" H: 4-1/2" D: 3"
	4917-48	L: 48" H: 4-1/2" D: 3"

- 120V - 60 Hz
- 50,000 hour projected life
- Steel with linear diffused acrylic lens
- 3000K | 90 CRI
- 18": 12W | 1080 lms | 700 lms
- 24": 15W | 1350 lms | 900 lms
- 36": 25W | 2250 lms | 1600 lms
- 48": 30W | 2700 lms | 2000 lms
- Dimmable TRIAC, 10-100%
- Horizontal or Vertically Mounted
- Beam Angle 120°
- cETLus Listed for damp location
- CEC JA8 Compliant (BN Only)
- LED Lamp: 5 Year Limited Warranty
- Other Components: 1 Year Limited Warranty

ORDERING GUIDE			Example: 4917BN-18	
Model	Finish	Length		
4917	BN	Brushed Nickel	-18	
	MBK	Matte Black	-24	
			-36	
			-48	

Specifications and dimensions subject to change. Lumens are delivered unless otherwise noted. See website for most current information.

Curved LED Ribbon Vanity Light



- Steel with acrylic ribbon diffuser
- 3000K | 80 CRI
- 9W | 500 lms
- Dimmable TRIAC, 10-100%
- 10" L x 4-1/2" H x 3" W
- ETL Listed
- LED Lamp: 5 Year Limited Warranty
- Other Components: 1 Year Limited Warranty

ORDERING GUIDE

Model	Finish	Example: 4506BN
4506	BN	Brushed Nickel

DIMENSIONS	
	4506 L: 10" H: 4-1/8" D: 3-1/4"

Linear LED Ribbon Vanity Light



- 120V - 60 Hz
- Steel with acrylic ribbon diffuser
- 3000K | 80 CRI
- 18": 20W | 951 lms
- 24": 22W | 1500 lms
- 36": 30W | 1650 lms
- Dimmable TRIAC, 10-100%
- ETL Listed
- LED Lamp: 5 Year Limited Warranty
- Other Components: 1 Year Limited Warranty

ORDERING GUIDE

Model	Finish	Length	Example: 4905BN-24
4905	BN	Brushed Nickel	-18
	MBK*	Matte Black	-24
			-36

DIMENSIONS	
	4905-18 L: 18" H: 4-1/2" D: 3"
	4905-24 L: 24" H: 4-1/2" D: 3"
	4905-36 L: 36" H: 4-1/2" D: 3"

*MBK in 24" only

Specifications and dimensions subject to change. Lumens are delivered unless otherwise noted. See website for most current information.



Decorative Suspended Overview



4601, 4602
Chandelier Edge-Lit LED
Round Ribbon Light
Page 138



4600
Linear Edge-lit LED
Ribbon Light
Page 139



4614
Linear Island Light
Lamps Sold Separately
Page 139



4606
Opal Glass Pendant Light
Page 140



4615
Mini Pendant Light
Lamp Sold Separately
Page 140



4613
Chandelier
Lamp Sold Separately
Page 141

Warranty Information



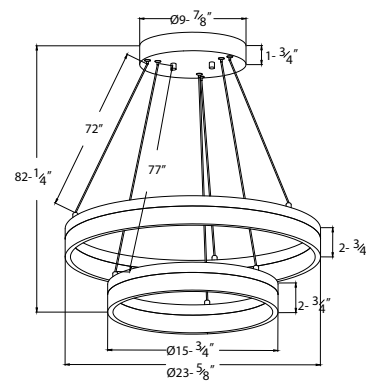
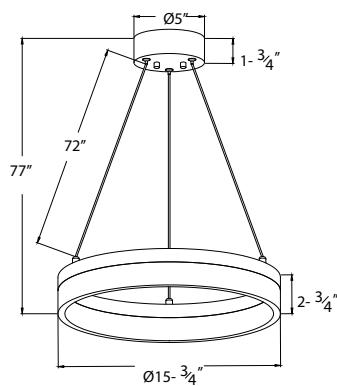
Integrated LED Lights



Other Components

Specifications and dimensions subject to change.
Lumens are delivered unless otherwise noted.
See website for most current information.

Chandelier Edge-Lit LED Round Ribbon Light



- 120V 60 Hz - Power Over Cable
- Metal with diffused acrylic ribbon lens
- 3000K | 80 CRI
- 4601 - 25W | 1750 lms delivered
- 4602 - 60W | 4200 lms delivered
- Dimmable TRIAC, 10-100%

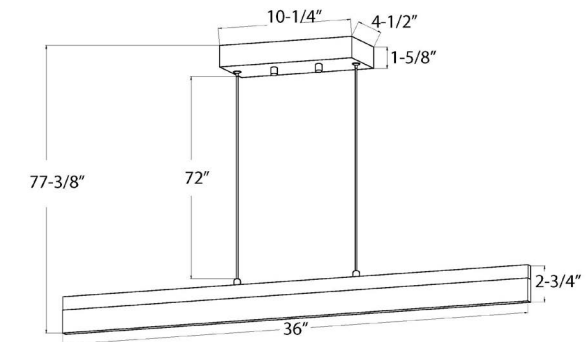
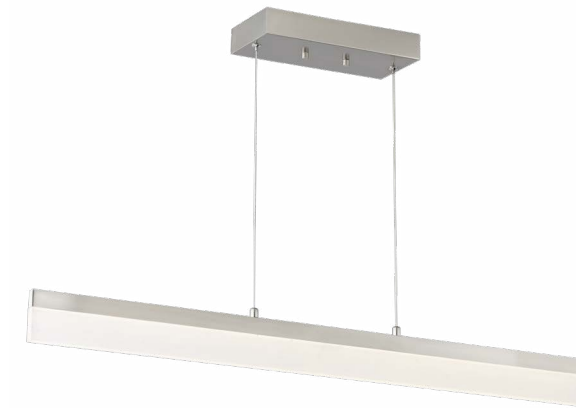
- Adjustable 6' wire length
- cETLus Listed for damp location
- LED Lamp: 5 Year Limited Warranty
- Other Components: 1 Year Limited Warranty

ORDERING GUIDE

Example: 4602BN

Model	Motor / Blade Finish
4601	BN Brushed Nickel
4602	BN Brushed Nickel

Linear Island LED Light



- 120V 60 Hz - Power Over Cable
- Metal with diffused acrylic ribbon lens
- 3000K | 80 CRI | 28W | 1600 lms delivered
- Dimmable TRIAC, 10-100%

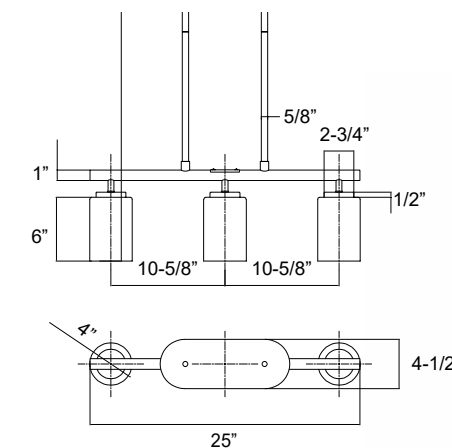
- Adjustable 6' wire length
- cETLus Listed for damp location
- LED Lamp: 5 Year Limited Warranty
- Other Components: 1 Year Limited Warranty

ORDERING GUIDE

Example: 4600BN

Model	Motor / Blade Finish
4600	BN Brushed Nickel MBK Matte Black

Linear Edge-lit LED Ribbon Light



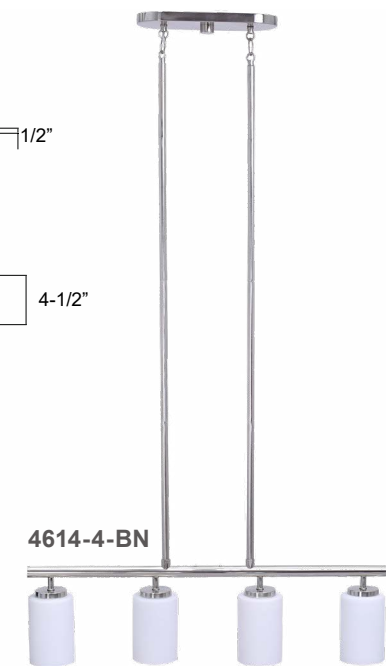
- 120V 60 Hz - Stem suspended
- Metal with Frosted Opal Lens
- 9 W E26 A19 LED Lamp Not Included
- 2 x 6' rods and 2 x 12" rods per stem

- cCSAus Listed for damp location
- 1 Year Limited Warranty

ORDERING GUIDE

Example: 4614BN-4

Model	Motor / Blade Finish	# of lights
4614	BN Brushed Nickel MBK Matte Black	-3 -4



Specifications and dimensions subject to change. Lumens are delivered unless otherwise noted. See website for most current information.

Specifications and dimensions subject to change. Lumens are delivered unless otherwise noted. See website for most current information.

Opal Glass Pendant Light



BN

- Steel with Frosted Opal Glass Shade
- 3000K | 90 CRI
- 1 x 9W E26 A19 LED, lamp included
- Dimmable TRIAC, 10-100%
- Adjustable 6' Cord
- CETLus Listed for damp location
- LED Lamp: 5 Year Limited Warranty
- Other Components: 1 Year Limited Warranty

ORDERING GUIDE

Example: 4606BN

Model	Finish
4606	BN Brushed Nickel



E26 A19 No Lamp Mini Pendant



BN



MBK

- Steel with Frosted Opal Glass Shade
- Ceiling Canopy fits standard electrical box
- 9 W E26 A19 LED Lamp Not Included
- Dimmable TRIAC, 10-100%
- Adjustable 6' Cord
- CSA-us Certified
- 1 Year Limited Warranty

ORDERING GUIDE

Example: 4615BN

Model	Finish
4615	BN MBK Brushed Nickel Matte Black



E26 A19 No Lamp Chandelier



BN



MBK

- Steel with Frosted Opal Glass Shade
- Ceiling Canopy fits standard electrical box
- 9 W E26 A19 LED Lamp Not Included
- Dimmable TRIAC, 10-100%
- Adjustable 6' Cord
- CSA-us Certified
- 1 Year Limited Warranty

ORDERING GUIDE

Example: 4613BN-3

Model	Finish	Lights
4613	BN MBK Brushed Nickel Matte	-3 -5

Specifications and dimensions subject to change. Lumens are delivered unless otherwise noted. See website for most current information.

Specifications and dimensions subject to change. Lumens are delivered unless otherwise noted. See website for most current information.



Linear Lighting Overview



89xx
Slim Profile Under Cabinet Light
Page 144



89xx-5CCT
CCT Selectable Under Cabinet Light
Page 144



4115-1
Linear Stairwell - 2'
Page 145



4116-1
Linear Stairwell - 4'
Page 145



4105
4' LED Cloud
Page 146



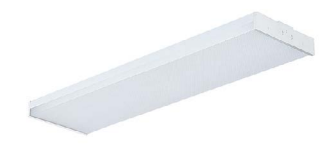
4106
4' LED Cloud
Page 146



4205-5CCT
Square LED Ceiling Flush Mount Cloud
Page 146



4217
4' Narrow Prismatic Wrap
Page 147



4218
4' Wide Prismatic Wrap
Page 147



4309-1 - 4312-1
2' and 4' LED Strip Light
Page 148



4117-1
4' Vapor Tight Linear Fixture
Page 149



4120
2' Vapor Tight Linear Fixture
Page 149

Warranty Information



Integrated LED Lights



Other Components

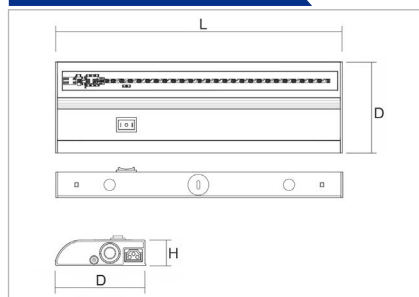
Specifications and dimensions subject to change. Lumens are delivered unless otherwise noted. See website for most current information.

Slim Profile Under Cabinet Light



- Aluminum housing with Ribbed Acrylic Curved Lens
- 3000K | 90 CRI
- Dimmable TRIAC, 10-100%
- Available in White or Brushed Aluminum Housing
- Linkable design for hardwire and plug-in
- Hinged wiring trough for easy access
- cCSAus Listed for damp location
- LED Lamp: 5 Year Limited Warranty
- Other Components: 1 Year Limited Warranty

DIMENSIONS



8966: L: 9" H: 3-3/4" D: 1-1/16"
8967: L: 12" H: 3-3/4" D: 1-1/16"
8968: L: 18" H: 3-3/4" D: 1-1/16"
8969: L: 21" H: 3-3/4" D: 1-1/16"
8970: L: 24" H: 3-3/4" D: 1-1/16"
8971: L: 36" H: 3-3/4" D: 1-1/16"
8972: L: 48" H: 3-3/4" D: 1-1/16"

ORDERING GUIDE

Example: 8966WH

Model	Description	Finish
8966	9" 4W 200 lms	WH White
8967	12" 5W 270 lms	BA Brushed Aluminum
8968	18" 7W 420 lms	
8969	21" 8W 460 lms	
8970	24" 9W 580 lms	
8971	36" 13W 800 lms	
8972	48" 17W 1070 lms	

CCT Selectable Under Cabinet Light

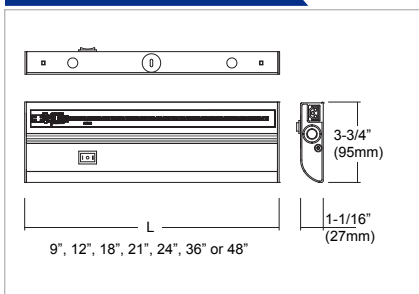


Adjusted Color of Light with Intrgrated Switch

- SOFT WHITE (2700K)
- BRIGHT WHITE (4000K)
- DAYLIGHT (5000K)

- Aluminum housing with Ribbed Acrylic Curved Lens
- 90 CRI
- Dimmable TRIAC, 10-100%
- 2734: 2700K, 3000K, 4000K selectable
- 5CCT: 27K, 3K, 35K, 4K, 5K selectable
- Available in White Housing
- Linkable design for hardwire and plug-in
- Hinged wiring trough for easy access
- cCSAus Listed for damp location
- CEC JAB Compliant
- LED Lamp: 5 Year Limited Warranty
- Other Components: 1 Year Limited Warranty

DIMENSIONS



8966: L: 9" H: 3-3/4" D: 1-1/16"
8967: L: 12" H: 3-3/4" D: 1-1/16"
8968: L: 18" H: 3-3/4" D: 1-1/16"
8969: L: 21" H: 3-3/4" D: 1-1/16"
8970: L: 24" H: 3-3/4" D: 1-1/16"
8971: L: 36" H: 3-3/4" D: 1-1/16"
8972: L: 48" H: 3-3/4" D: 1-1/16"

ORDERING GUIDE

Example: 8967WH-5CCT

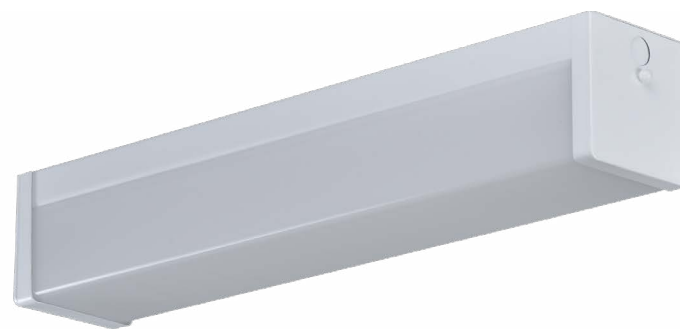
Model	Description	Finish	CCT
8966	9" 4W 250lms	WH White	-2734*
8967	12" 5W 315lms		
8968	18" 7W 500lms		
8969	21" 8W 595lms		
8970	24" 9W 670lms		
8971	36" 13W 900lms		
8972	48" 17W 1190lms		

* -2734 only available for 8966

** -5CCT only available for 8967, 8968, 8969, 8970, 8971, and 8972

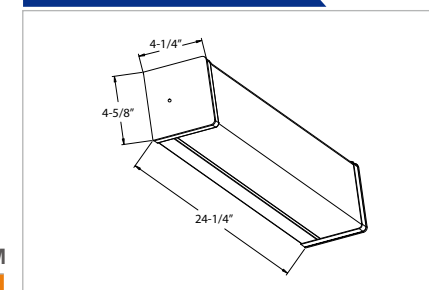
Specifications and dimensions subject to change. Lumens are delivered unless otherwise noted. See website for most current information.

Linear Stairwell - 2'



- 120-277V Universal
- Steel Body with acrylic lens
- 4000K | 80 CRI
- 20W | 2225 lms delivered
- MS - Microwave Daylight/Motion Sensor Option
- EM - Emergency Battery Pack Option
- Ceiling or Wall Mount
- cCSAus Listed for damp location
- DLC Listed
- LED lamp: 5 year Limited Warranty
- Other Components: 1 Year Limited Warranty

DIMENSIONS



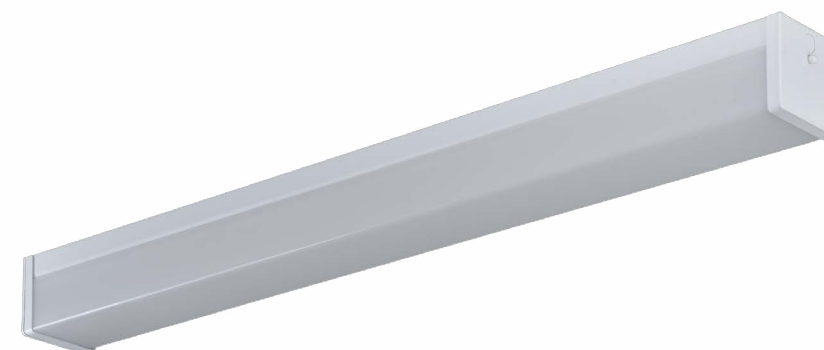
4115-1/4115DM-1
L: 24-1/4" | H: 4-1/4" | D: 4-5/8"

ORDERING GUIDE

Example: 4115DM-1-MS-EM

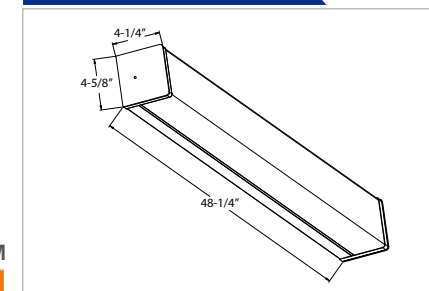
Model	Description	Finish	Motion Sensor	Em Battery Pack
4115-1	Non-Dimmable	WH White	-MS Microwave sensor	-EM adds Battery Pack
4115DM-1	0-10V Dimmable			

Linear Stairwell - 4'



- 120-277V Universal
- Steel Body with acrylic lens
- 4000K | 80 CRI
- Ceiling or Wall Mount
- 40W | 5100 lms delivered
- MS - Microwave Daylight/Motion Sensor Option
- EM - Emergency Battery Pack Option
- cCSAus Listed for damp location
- 4116DM - DLC Listed
- LED lamp: 5 year Limited Warranty
- Other Components: 1 Year Limited Warranty

DIMENSIONS



4116-1/4116DM-1
L: 48-1/4" | H: 4-1/4" | D: 4-5/8"

ORDERING GUIDE

Example: 4116-1WH-MS-EM

Model	Description	Finish	Motion Sensor	Em Battery Pack
4116-1	Non-Dimmable	WH White	-MS Microwave sensor	-EM adds Battery Pack
4116DM-1	0-10V Dimmable			

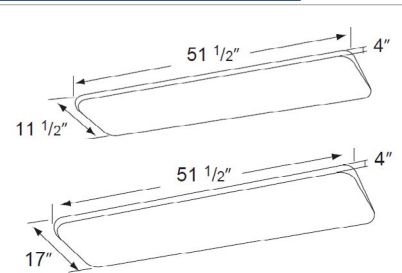
Specifications and dimensions subject to change. Lumens are delivered unless otherwise noted. See website for most current information.

LED Cloud



- 120V / 277V
- Steel Body with white acrylic lens
- 4000K | 80 CRI
- 4105 - 35W | 2800 lms delivered
- 4106 - 70W | 5600 lms delivered
- Non-dimmable
- Ceiling Mount
- cETLus Listed for damp location
- LED lamp: 5 year Limited Warranty
- Other Components: 1 Year Limited Warranty

DIMENSIONS



ORDERING GUIDE

Example: 4105-40-WH

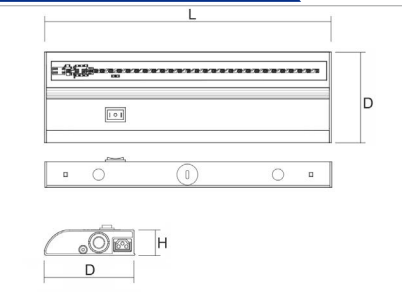
Model	Description	Finish
4105-40	35W 2800 lms	-WH White
4106-40	70W 5600 lms	

Square LED Ceiling Flush Mount Cloud



- 120V / 277V
- 0-10V Dimming
- Hard gauge metal backplate with acrylic diffuser and optic lense over each LED
- 40W | 3665K (35K delivered)
- 90 CRI | 5CCT Selectable
- CSAus listed for damp locations
- LED Light Source: 5 year limited warranty
- Other components: 1 year limited warranty

DIMENSIONS



ORDERING GUIDE

Example: 4205WH-5CCT

Model	Finish	CCT
4205	WH White	-5CCT 27K, 3K, 35K, 4K, 5K Selectable

LED Prismatic Wraparound



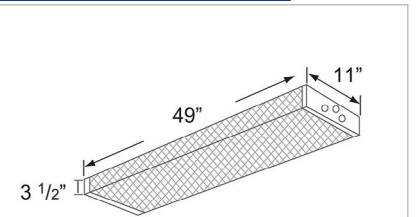
4217



4218

- 120V / 277V
- Steel housing with white acrylic prismatic lens
- 4000K | 80 CRI | Non-Dimmable
- Ceiling Mount
- 4217 - 35W | 3200 lms delivered
- 4218 - 75W | 7000 lms delivered
- -OS - Microwave Daylight/Motion Sensor Option
- -EM - Emergency Battery Pack Option
- ETLus Listed for damp location
- LED lamp: 5 year Limited Warranty
- Other Components: 1 Year Limited Warranty

DIMENSIONS



ORDERING GUIDE

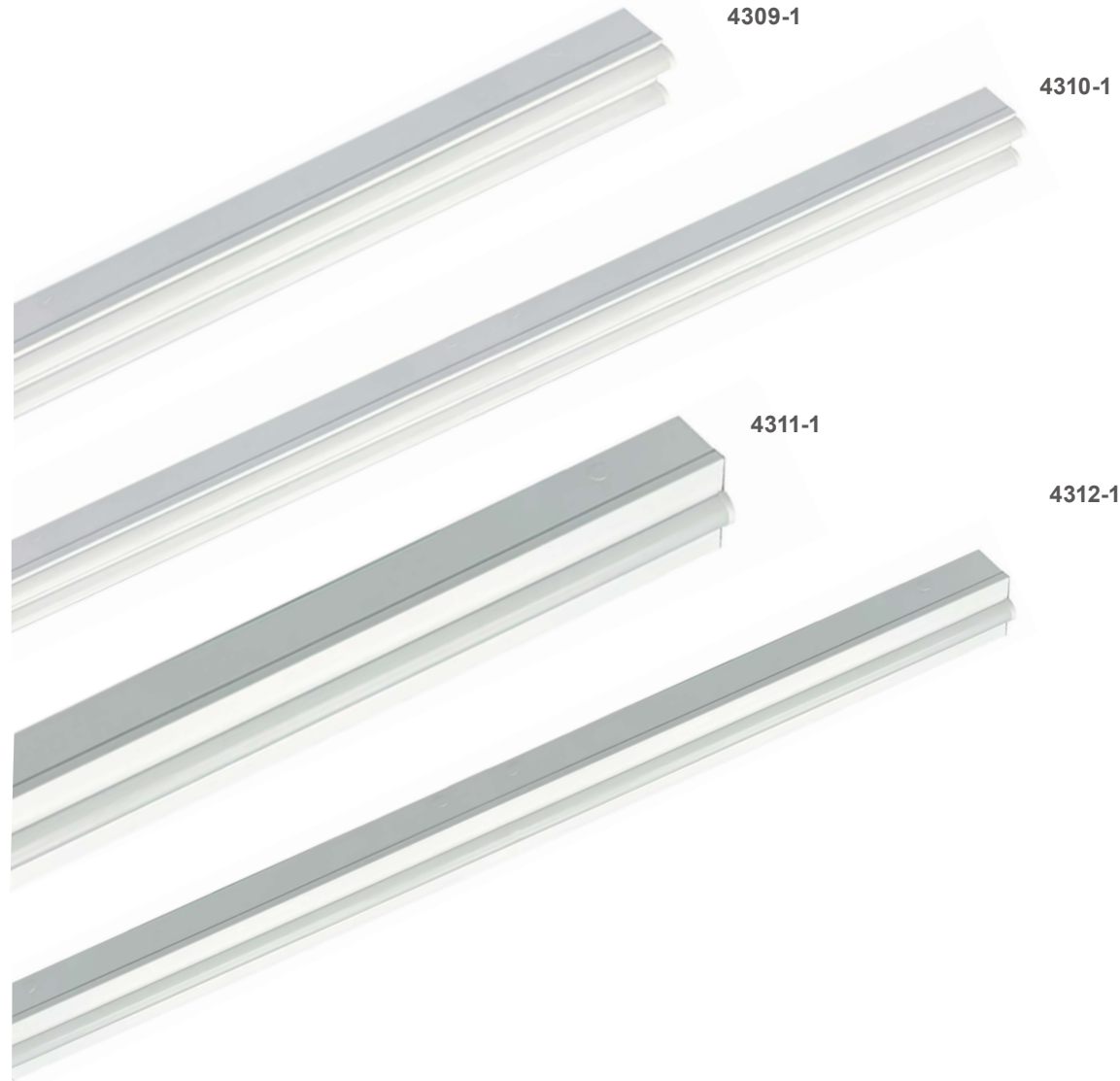
Example: 4217WH-OS-EM

Model	Description	Finish	Motion Sensor	EM Battery Pack
4217	35W 3500 lms	WH White	blank no sensor	blank no battery pack
4218	75W 7000 lms		-OS adds sensor	-EM adds battery pack

Specifications and dimensions subject to change. Lumens are delivered unless otherwise noted. See website for most current information.

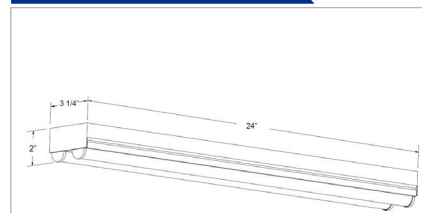
Specifications and dimensions subject to change. Lumens are delivered unless otherwise noted. See website for most current information.

LED Strip Light



- 120-277V
- Steel housing with polycarbonate lens
- 4000K | 80 CRI
- Surface or Pendant Mount
- 0-10V Dimming
- Driver accessible from below ceiling
- CSAus Listed for damp location
- LED Lamp: 5 Year Limited Warranty
- Other Components: 1 Year Limited Warranty

DIMENSIONS



4309-1: L: 24" | W: 3-1/4" | D: 2-3/4"
 4310-1: L: 48" | W: 3-1/4" | D: 2-3/4"
 4311-1: L: 24" | W: 3-1/4" | D: 2-3/4"
 4312-1: L: 48" | W: 3-1/4" | D: 2-3/4"

ORDERING GUIDE

Example: 4309WH-1

Model	Description	Finish	EM Option
4309-1	20W 2100 lms	WH White	-EM adds EM Battery Pack *
4310-1	35W 3675 lms		
4311-1	10W 1050 lms		
4312-1	20W 2100 lms		

* -EM option only available on 4310WH-1

Linear Vapor Tight



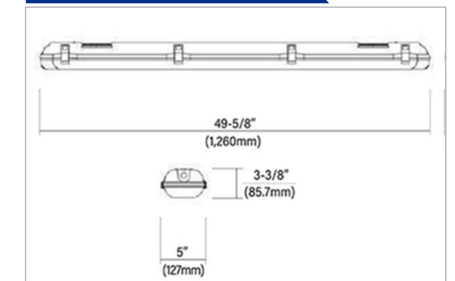
4117-1 Series



4120 Series

- 120-277V Universal
- Single piece polycarbonate body
- Gasketed polycarbonate lens
- Stainless Steel latches included
- 0-10V Dimming | 4000K | 80 CRI
- 4120-WH: 20W | 2000 lms
- 4117-1-WH-35: 35W | 3675 lms
- 4117-1-WH-50: 50W | 5250 lms
- 4117-1-WH-70: 70W | 7350 lms
- Operating Temp: -30°C to 50°C
- -MS - Microwave Daylight/Motion Sensor Option
- -EM - Emergency Battery Pack Option
- CSAus Listed for wet location
- IP65 Rated
- 4117-1 - DLC5.1 Listed
- LED Lamps: 5 Year Limited Warranty
- Other Components: 1 Year Limited Warranty

DIMENSIONS



4117-1: L: 49-5/8" | H: 3-3/8" | D: 5"
 4120: L: 49-5/8" | H: 3-3/8" | D: 5"

ORDERING GUIDE

Example: 4117-1-WH-35-4K-MS-EM

Model	Description	Finish	Watts	CCT	Options
4117-1	35W 3675 lms	-WH	-35	-4K	blank no options
	50W 5250 lms		-50		-MS adds Microwave
	70W 7350 lms		-70		-ES adds EM Battery
Model	Description	Finish	CCT	Options	
4120-WH-20-4K	20W 2000 lms	-WH White	-4K	blank no options	
				-MS adds Microwave	

Specifications and dimensions subject to change. Lumens are delivered unless otherwise noted. See website for most current information.

Specifications and dimensions subject to change. Lumens are delivered unless otherwise noted. See website for most current information.



Exit / Emergency Lighting Overview

Exit



RXL5
Standard Exit Sign
Page 153



RXL28
Exit Sign, Wet & Cold Location
Page 153



RXL17
Surface Mount Edge-lit Exit -
Single Face
Page 154



RXL18
Surface Mount Edge-lit Exit -
Double Face
Page 154



RXL33
Recessed Edge-lit Exit
- Single Face
Page 155



RXL34
Recessed Edge-lit Exit
- Double Face
Page 155



RXL15-1
Die Cast Exit Sign
- Single Face
Page 156



RXL16-1
Die Cast Exit Sign
- Double Face
Page 156



RXEL35
Recessed Edge-lit Exit/
EM Combo - Single Face
Page 157



RXEL36
Recessed Edge-lit Exit/
EM Combo - Double Face
Page 157



RXEL25
Exit/Emergency Combo,
Wet & Cold
Page 158



RXEL37-1
Standard Exit/Emergency
Combo
Page 158



RXEL38-1
High Output Exit/
Emergency Combo
Page 159



RXEL39-1
High Output Remote Capable
Exit/Emergency Combo
Page 159


















RXEL40-1
High Output Self Diagnostic
Exit/Emergency Combo
Page 160

Specifications and dimensions subject to change.
Lumens are delivered unless otherwise noted.
See website for most current information.

Exit / Emergency Lighting Overview

Emergency

 <p>REL35 Recessed 2-Head Emergency Light Page 160</p>	 <p>REL20-1 Compact Emergency, Page 161</p>	 <p>REL21-1 Compact High Output Emergency Page 161</p>	 <p>REL22-1 Remote Head Capable Emergency Page 162</p>
 <p>REL23-1 Self Diagnostic Emergency Page 162</p>	 <p>REL6LED Compact High-Lumen Emergency Page 163</p>	 <p>REL7LED Die Cast Exit Sign Page 163</p>	 <p>REL5LED Outdoor Full Cutoff Emergency Page 164</p>
 <p>RH19 Wet Location Remote Head Page 164</p>	 <p>RH20 Wet Location Remote Heads Page 164</p>	 <p>RH21, RH22 1 and 2 Indoor Remote Heads Page 165</p>	 <p>4783EM Constant Power Emergency LED Battery Back-up Page 165</p>
 <p>4782EM Emergency LED Battery Back-up Page 166</p>	 <p>4785 7" LED Flush Mount Emergency Back-up Page 166</p>	 <p>4787 Emergency Battery Backup for 442X Outdoor LED Cylinder Page 167</p>	

Warranty Information



Integrated LED Lights



Other Components

Standard Exit Sign




GW



RW

- 120V/277V
- Flame-rated Thermoplastic Housing
- Single or Double Face
- Operating Temp: 10°C to 40°C
- 2.4V, 300 mAh Ni-Cad Battery
- Wall, Ceiling, or End Mount
- Self-diagnostic Option Available
- UL Listed for damp location to UL924 standards
- CEC Title 20 Compliant
- LED Lamp: 5 Year Limited Warranty
- Other Components: 1 Year Limited Warranty

DIMENSIONS



RXL5
L: 11-3/4" | H: 7-1/4" | D: 1-3/4"

ORDERING GUIDE

Model	Lettering / Housing	Self-diagnostic Option
RXL5 Standard Exit Sign	RW White with Red Lettering RB Black with Red Lettering GW White with Green Lettering GB Black with Green Lettering	*blank: manual testing -SD: adds self diagnostic feature

Example: RXL5RW

* Only available on RXL5RW and RXL5GW

Exit Sign, Wet & Cold Location



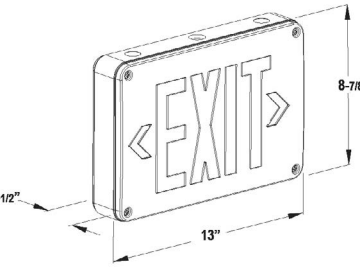
GW



RW

- 120V/277V
- Polycarbonate Lens and Waterproof Thermoplastic Housing
- Single or Double Face
- Operating Temp: -25°C to +50°C
- 3.6V, 400 mAh Ni-Cad Battery
- Wall, Ceiling, or End Mount
- UL Listed for wet and cold location to UL924 standards
- CEC Title 20 Compliant
- LED Lamp: 5 Year Limited Warranty
- Other Components: 1 Year Limited Warranty

DIMENSIONS



RXL28
L: 13" | H: 8-7/8" | D: 2-1/2"

ORDERING GUIDE

Model	Lettering / Housing
RXL28 Exit Sign, Wet & Cold Listed	RW White with Red Lettering GW White with Red Lettering

Example: RXL28RW

Specifications and dimensions subject to change. Lumens are delivered unless otherwise noted. See website for most current information.

Specifications and dimensions subject to change. Lumens are delivered unless otherwise noted. See website for most current information.

Surface Mount Edge-lit Exit Single Face - Clear Acrylic



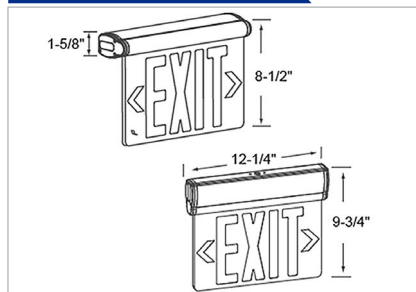
GW



RW

- 120V/277V
- Die-cast Aluminum Housing
- Clear Acrylic Thermoplastic Faceplate
- White or Brushed Aluminum Housing
- Operating Temp: 10°C to 40°C
- 4.8V, 300 mAh Ni-Cad Battery
- Wall or Ceiling Mount
- UL Listed for damp location to UL924 standards
- CEC Title 20 Compliant
- LED Lamps: 5 Year Limited Warranty
- Other Components: 1 Year Limited Warranty

DIMENSIONS



RXL17RW
L: 12-1/4" | H: 9-3/4" | D: 1-5/8"

ORDERING GUIDE

Example: **RXL17RW**

Model	Lettering / Housing	Self-diagnostic Option
RXL17		
Surface Mount Edge-lit Exit - Single Face	RW Red with white housing RBA Red with brushed aluminum housing GW Green with white housing GBA Green with brushed aluminum housing	-SD adds self diagnostic feature

Surface Mount Edge-lit Exit Double Face - Mirrored



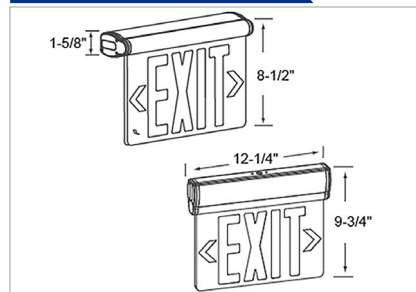
GW



RW

- Die-cast Aluminum Housing
- Clear Acrylic Thermoplastic Double Mirror Faceplate
- White or Brushed Aluminum Housing
- Operating Temp: 10°C to 40°C
- 4.8V, 300 mAh Ni-Cad Battery
- Wall or Ceiling Mount
- UL Listed for damp location to UL924 standards
- CEC Title 20 Compliant
- LED Lamps: 5 Year Limited Warranty
- Other Components: 1 Year Limited Warranty

DIMENSIONS



RXL18RW
L: 12-1/4" | H: 9-3/4" | D: 1-5/8"

ORDERING GUIDE

Example: **RXL18RW**

Model	Lettering / Housing	Self-diagnostic Option
RXL18		
Surface Mount Edge-lit Exit - Double Face	RW Red with white housing RBA Red with brushed aluminum housing GW Green with white housing GBA Green with brushed aluminum housing	-SD adds self diagnostic feature

When normal utility power fails, the internal solid-state transfer switch automatically connects the internal battery to the LED lamps, lighting the exit for no less than 90 minutes. When utility power is restored the battery is recharged by the onboard solid-state recharger. Full recharge is accomplished within 24 hours.

Recessed Edge-lit Exit Single Face - Clear Acrylic



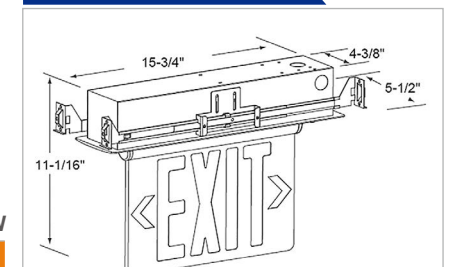
GBA



RBA

- 120V/277V
- Aluminum Housing & Back Box
- Clear Acrylic Thermoplastic Faceplate
- White or Brushed Aluminum Housing
- Operating Temp: 10°C to 40°C
- 4.8V, 300 mAh Ni-Cad Battery
- Wall or Ceiling Mount
- UL Listed for damp location to UL924 standards
- CEC Title 20 Compliant
- LED Lamps: 5 Year Limited Warranty
- Other Components: 1 Year Limited Warranty

DIMENSIONS



RXL33RW
L: 15-3/4" | H: 11-1/16" | D: 4-3/8"

ORDERING GUIDE

Example: **RXL33RW**

Model	Lettering / Housing
RXL33	
Recessed Edge-lit Exit - Single Face	RW Red with white housing RBA Red with brushed aluminum housing GW Green with white housing GBA Green with brushed aluminum housing

Recessed Edge-lit Exit Double Face - Mirrored



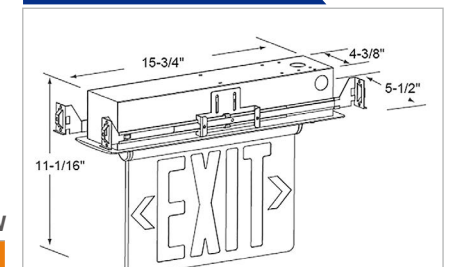
GBA



RBA

- 120V/277V
- Aluminum Housing & Back Box
- Clear Acrylic Thermoplastic Double Mirror Faceplate
- White or Brushed Aluminum Housing
- Operating Temp: 10°C to 40°C
- 4.8V, 300 mAh Ni-Cad Battery
- Wall or Ceiling Mount
- UL Listed for damp location to UL 924 standards
- CEC Title 20 Compliant
- LED Lamps: 5 Year Limited Warranty
- Other Components: 1 Year Limited Warranty

DIMENSIONS



RXL34RW
L: 15-3/4" | H: 11-1/16" | D: 4-3/8"

ORDERING GUIDE

Example: **RXL34RW**

Model	Lettering / Housing
RXL34	
Recessed Edge-lit Exit - Double Face	RW Red with white housing RBA Red with brushed aluminum housing GW Green with white housing GBA Green with brushed aluminum housing

Specifications and dimensions subject to change. Lumens are delivered unless otherwise noted. See website for most current information.

Specifications and dimensions subject to change. Lumens are delivered unless otherwise noted. See website for most current information.

Die Cast Exit Sign - Single Face



GBA



RBA

- 120V/277V
- Die Cast Aluminum Housing
- Die Cast Aluminum Faceplate
- Operating Temp: 10°C to 40°C
- Red Lettering - 2.4V, 300 mAh Ni-cad Battery; Green Lettering - 3.6V, 300 mAh Ni-cad Battery
- Wall, Ceiling or End Mount
- UL Listed for damp location to UL924 standards
- CEC Title 20 Compliant
- LED Lamps: 5 Year Limited Warranty
- Other Components: 1 Year Limited Warranty

DIMENSIONS



RXL15-1
L: 12-3/4" | H: 8-7/16" | D: 1-13/16"

ORDERING GUIDE

Example: RXL15-1RBA

Model	Lettering / Housing
RXL15-1 Die Cast Exit Sign - Single Face	RBA Red with brushed aluminum housing GBA Green with brushed aluminum housing

Die Cast Exit Sign - Double Face



GBA



RBA

- 120V/277V
- Die Cast Aluminum Housing
- Die Cast Aluminum Faceplates
- Operating Temp: 10°C to 40°C
- Red Lettering - 2.4V, 300 mAh Ni-cad Battery; Green Lettering - 3.6V, 300 mAh Ni-cad Battery
- Wall, Ceiling or End Mount
- UL Listed for damp location to UL924 standards
- CEC Title 20 Compliant
- LED Lamps: 5 Year Limited Warranty
- Other Components: 1 Year Limited Warranty

DIMENSIONS



RXL16-1
L: 12-3/4" | H: 8-7/16" | D: 1-13/16"

ORDERING GUIDE

Example: RXL16-1RBA

Model	Lettering / Housing
RXL16-1 Die Cast Exit Sign - Double Face	RBA Red with brushed aluminum housing GBA Green with brushed aluminum housing

When normal utility power fails, the internal solid-state transfer switch automatically connects the internal battery to the LED lamps, lighting the exit for no less than 90 minutes. When utility power is restored the battery is recharged by the onboard solid-state recharger. Full recharge is accomplished within 24 hours.

LED Recessed Edge-lit Exit and Emergency Light Combo - Clear Acrylic



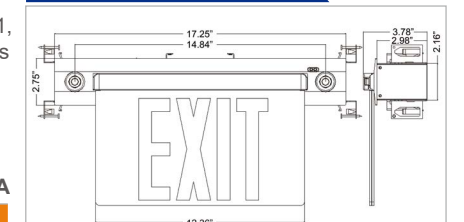
GBA



RBA

- 120/277VAC 60Hz
- Clear Acrylic Thermoplastic Faceplate
- Operating Temp 10°C to 40°C
- Full angle adjustable lamp head
- Source lumens: 300lm | delivered lumens: 250lm
- Max. 1.5W* 2pcs
- Ni-Mh 3.6V battery
- Beam angle: 30°
- 50,000 hour projected life
- State of California Title 20 Compliant
- UL listed for Damp location
- UL924 standard, comply with NFPA101, NFPA70, NEC and OSHA requirements
- 5 year limited warranty

DIMENSIONS



RXEL35
L: 16-3/4" | H: 10" | D: 2-3/4"

ORDERING GUIDE

Example: RXEL35GBA

Model	Lettering / Housing
RXEL35	RBA Red with brushed aluminum housing GBA Green with brushed aluminum housing

LED Recessed Edge-lit Exit and Emergency Light Combo - Mirrored



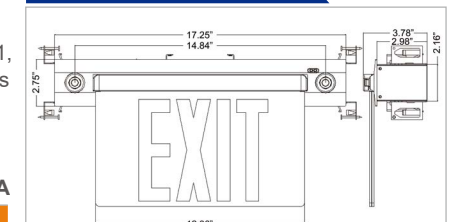
GBA



RBA

- 120/277VAC 60Hz
- Clear Acrylic Thermoplastic Double Mirror Faceplate
- Operating Temp 10°C to 40°C
- Full angle adjustable lamp head
- Source lumens: 300lm | delivered lumens: 250lm
- Max. 1.5W* 2pcs
- Ni-Mh 3.6V battery
- Beam angle: 30°
- 50,000 hour projected life
- State of California Title 20 Compliant
- UL listed for Damp location
- UL924 standard, comply with NFPA101, NFPA70, NEC and OSHA requirements
- 5 year limited warranty

DIMENSIONS



RXEL36
L: 16-3/4" | H: 10" | D: 2-3/4"

ORDERING GUIDE

Example: RXEL36GBA

Model	Lettering / Housing
RXEL36	RBA Red with brushed aluminum housing GBA Green with brushed aluminum housing

Specifications and dimensions subject to change. Lumens are delivered unless otherwise noted. See website for most current information.

Specifications and dimensions subject to change. Lumens are delivered unless otherwise noted. See website for most current information.

Two-Head LED Exit/Emergency Combo Wet & Cold Location



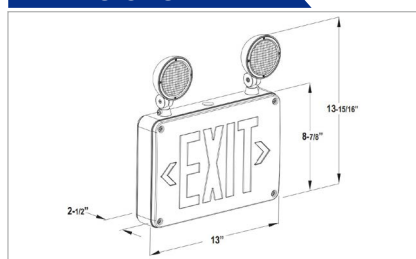
GBA



RBA

- 120/277V AC input, 60Hz
- Thermoplastic housing
- Single or Double Face
- Wall, Ceiling, or End Mount
- Operating Temp: -25°C to 50°C
- 2 x 3.6V, 1000 mAh Ni-Cad Battery
- Adjustable Heads: 2 x .75W | 180 lms
- Meets UL924 Listing for wet and cold locations
- Life Safety NFPA 101 Compliant
- State of California Title 20 Compliant
- LED Lamps: 5 Year Limited Warranty
- Other Components: 1 Year Limited Warranty

DIMENSIONS



RXEL25
L: 13" | H: 2-1/2" | D: 8-7/8"

ORDERING GUIDE

Example: RXEL25RW

Model	Lettering / Housing
RXEL25-	RW Red lettering with White Housing GW Green lettering with White Housing

High Output Exit/Emergency Combo



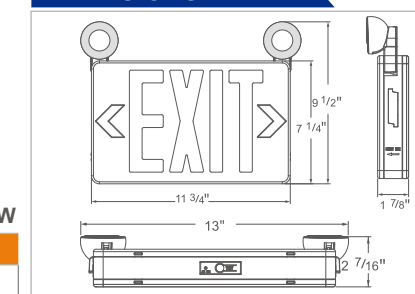
RW



GW

- 120V/277V
- Thermoplastic Housing
- Single or Double Face
- Wall, Ceiling or End Mount
- Operating Temp: 10°C to 40°C
- 2 x 3.6V, 900 mAh Ni-Cad Battery
- Adjustable Heads: 2 x 2W | 250 lms total
- UL Listed for damp location to UL 924 standards
- CEC Title 20 Compliant
- LED Lamps: 5 Year Limited Warranty
- Other Components: 1 Year Limited Warranty

DIMENSIONS



RXEL38-1
L: 13" | H: 9-1/2" | D: 2-7/16"

ORDERING GUIDE

Example: RXEL38-1RW

Model	Lettering / Housing
RXEL38-1 High Output Exit/ Emergency Combo	RW Red with white housing GW Green with white housing

Standard Exit/Emergency Combo



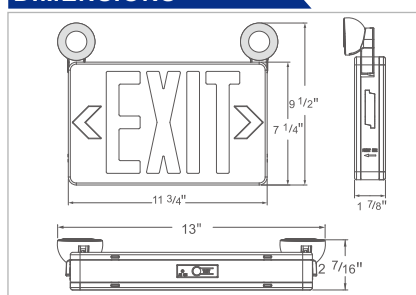
RW



GW

- 120V/277V
- Thermoplastic Housing
- Single or Double Face
- Operating Temp 10°C to 40°C
- 3.6V, 900 mAh Ni-Cad Battery
- Adjustable Heads: 2 x 1W | 150 lms total
- Wall, Ceiling or End Mount
- UL Listed for damp location to UL924 standards
- CEC Title 20 Compliant
- LED Lamps: 5 Year Limited Warranty
- Other Components: 1 Year Limited Warranty

DIMENSIONS



RXEL37-1
L: 13" | H: 9-1/2" | D: 2-7/16"

ORDERING GUIDE

Example: RXEL37-1RW

Model	Lettering / Housing
RXEL37-1 Standard Exit/ Emergency Combo	RW Red with white housing GW Green with white housing

High Output Remote Capable Exit/Emergency Combo



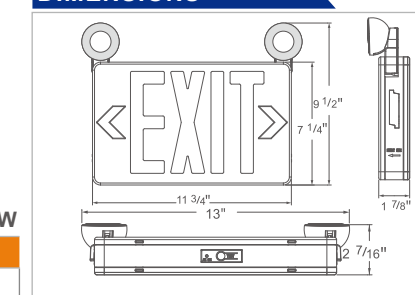
RW



GW

- Thermoplastic Housing
- Single or Double Face
- Wall, Ceiling or End Mount
- Operating Temp: 10°C to 40°C
- 2 x 3.6V, 1500 mAh Ni-Cad Battery
- Adjustable Heads: 2 x 2W | 250 lms total
- 3.6V, 1W or 3.6V, 2W Remote Head*
- Available
- UL Listed for damp location to UL 924 standards
- CEC Title 20 Compliant
- LED Lamps: 5 Year Limited Warranty
- Other Components: 1 Year Limited Warranty

DIMENSIONS



RXEL39-1
L: 13" | H: 9-1/2" | D: 2-7/16"

ORDERING GUIDE

Example: RXEL39-1RW

Model	Lettering / Housing
RXEL39-1 High Output Remote Capable Exit/Emergency Combo	RW Red with white housing GW Green with white housing

*remote heads sold separately

Specifications and dimensions subject to change.
Lumens are delivered unless otherwise noted.
See website for most current information.

Specifications and dimensions subject to change.
Lumens are delivered unless otherwise noted.
See website for most current information.

High Output Self Diagnostic Exit/Emergency Combo



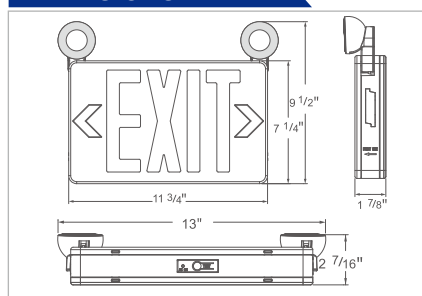
RW



GW

- 120V/277V
- Thermoplastic Housing
- Single or Double Face
- Wall, Ceiling or End Mount
- Operating Temp: 10°C to 40°C
- 2 x 3.6V, 900 mAh Ni-Cad Battery
- Adjustable Heads: 2 x 2W | 250 lms total
- Self-diagnostic Standard
- UL Listed for damp location to UL924 standards
- CEC Title 20 Compliant
- LED Lamps: 5 Year Limited Warranty
- Other Components: 1 Year Limited Warranty

DIMENSIONS



RXEL40-1
L: 13" | H: 9-1/2" | D: 2-7/16"

ORDERING GUIDE

Example: RXEL40-1RW-SD

Model	Lettering / Housing	Self-diagnostic
RXEL40-1	RW White with Red Lettering GW White with Green Lettering	-SD self diagnostic feature

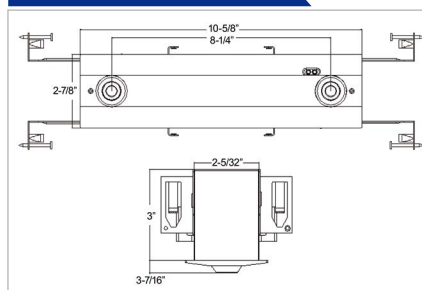
*remote heads sold separately

Recessed 2-Head Emergency Light



- 120V/277V
- Aluminum Trim Plate & Recessed Housing
- IC Rated for Recessed Ceiling or Wall Mount
- Operating Temp: 10°C to 40°C
- 3.6V, 1800 mAh Ni-MH Battery
- Adjustable Heads: 2 x 1.5W | 250 lms total
- UL Listed for damp location to UL924 standard
- LED Lamp: 5 Year Limited Warranty
- Other Components: 1 Year Limited Warranty

DIMENSIONS



REL35
L: 10-5/8" | H: 3-7/16" | D: 2-5/32"

ORDERING GUIDE

Example: REL35-BA

Model	Lettering / Housing
REL35-	BA Brushed Aluminum

When normal utility power fails, the internal solid-state transfer switch automatically connects the internal battery to the LED lamps, lighting a path of egress for no less than 90 minutes. When utility power is restored the battery is recharged by the onboard solid-state recharger. Full recharge is accomplished within 24 hours.

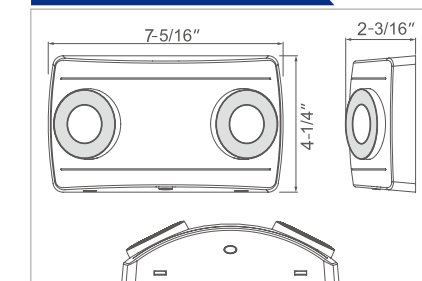
Specifications and dimensions subject to change. Lumens are delivered unless otherwise noted. See website for most current information.

Compact Emergency



- 120V/277V
- White Thermoplastic Housing
- Adjustable Clear Lens Heads
- Std. Operating Temp: 10°C to 40°C
- Std. 3.6V, 900 mAh Ni-Cad Battery
- Adjustable Heads: 2 x 1W | 235 lms total
- 5700 CCT
- UL Listed for damp location to UL924 standards
- LED Lamps: 5 Year Limited Warranty
- Other Components: 1 Year Limited Warranty

DIMENSIONS



REL20
L: 7-5/16" | H: 4-1/4" | D: 2-3/16"

ORDERING GUIDE

Example: REL20-1

Model	Description
REL20-1	Wide Lens

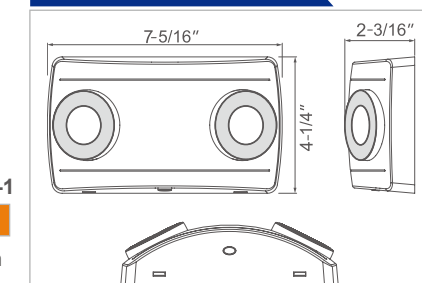
Compact High Output Emergency



REL-200 Accessory

- Thermoplastic Housing
- Adjustable Clear Lens Heads
- Std. Operating Temp: 10°C to 40°C
- Std. 3.6V, 1500 mAh Ni-Cad Battery
- Adjustable Heads: 2 x 1.5W | 2 x 150 lms
- Cold Weather Option: -10°C to 40°C
- 2 x 3.6V, 1500 mAh Ni-MH Battery
- 5700 CCT
- UL Listed for damp location to UL924 standards
- LED Lamps: 5 Year Limited Warranty
- Other Components: 1 Year Limited Warranty

DIMENSIONS



REL21
L: 7-5/16" | H: 4-1/4" | D: 2-3/16"

ORDERING GUIDE

Example: REL21-1

Model	Description	Wet Location Option	
REL21-1	Wide Lens/White Housing	blank	not wet location listed
REL21-BK	Wide Lens/Black Housing	-W	wet location listed
REL21-C	Wide Lens/Cold Weather/White Housing		
REL21-N	Narrow Lens/White Housing		

Specifications and dimensions subject to change. Lumens are delivered unless otherwise noted. See website for most current information.

Compact High Output Remote Head Capable Emergency



- White Thermoplastic Housing
- Adjustable Clear Lens Heads
- Adjustable Heads: 2 x 1.5W | 2 x 150 lms
- Std. Operating Temp: 10°C to 40°C
- 3.6V, 1500 mAh Ni-MH Battery
- 3.6V, 1W or 3.6V, 2W Remote Heads Available
- 5700 CCT
- UL Listed for damp location to UL924 standards
- LED Lamps: 5 Year Limited Warranty
- Other Components: 1 Year Limited Warranty

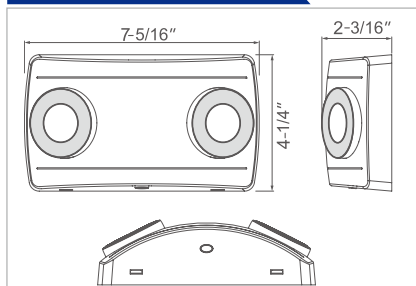
ORDERING GUIDE

Example: REL22-1

Model	Description
REL22-1	Wide Lens
REL22-N	Narrow Lens

Remote Head Compatibility: RH19, RH20, RH21, and RH22

DIMENSIONS



REL22
L: 7-5/16" | H: 4-1/4" | D: 2-3/16"

Compact High Output Self Diagnostic Emergency



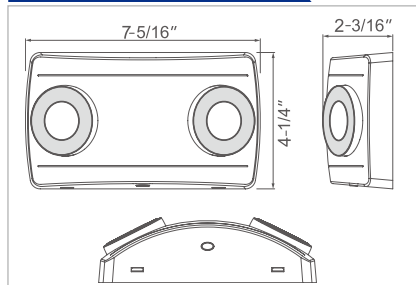
- White Thermoplastic Housing
- Adjustable Clear Lens Heads
- Adjustable Heads: 2 x 1.5W | 2 x 150 lms
- Std. Operating Temp: 10°C to 40°C
- Std. 3.6V, 900 mAh Ni-Cad Battery
- Cold Weather Option: -10°C to 40°C; 3.6V, 1500 mAh Ni-MH Battery
- 5700 CCT
- Self Diagnostic Standard
- UL Listed for damp location to UL924 standards
- LED Lamps: 5 Year Limited Warranty
- Other Components: 1 Year Limited Warranty

ORDERING GUIDE

Example: REL23-1SD

Model	Description	Wet Location Option	
REL23-1SD	Wide Lens/Self Diagnostic	blank	not wet location listed
REL23-SD-C	Wide Lens/Self Diagnostic/Cold Weather	-W	wet location listed
REL23-N-SD	Narrow Lens/Self Diagnostic		
REL23-N-SD-C	Narrow Lens/Self Diagnostic/Cold Weather		

DIMENSIONS



REL23
L: 7-5/16" | H: 4-1/4" | D: 2-3/16"



REL-200 Accessory

Specifications and dimensions subject to change. Lumens are delivered unless otherwise noted. See website for most current information.

Compact High-Lumen Emergency



- White Thermoplastic Housing
- High Lumen Adjustable Lens Heads
- Self Diagnostic Option Available
- Std. Operating Temp: 10°C to 40°C
- 9.6V, 3000 mAh LiFePO4 Battery High lumen
- 9.6V, 1500 mAh LiFePO4 Battery Standard lumen
- Std Output Heads: 2 x 2.7W | 600 lms
- High Output Heads: 2 x 5.4W | 1300 lms
- 3.6V, 1W or 3.6V, 2W Remote Head, Option available only on Standard Output
- UL Listed for damp location to UL924 standards - Standard Output Units Only
- CEC Title 20 Compliant
- LED Lamps: 5 Year Limited Warranty
- Other Components: 1 Year Limited Warranty

ORDERING GUIDE

Example: REL6LED-WH

Model	Description	Wet Listed Option	
REL6LED-WH	Standard Output	blank	not wet location listed
REL6LED-WH-SD	Standard Output/Self Diagnostic	-W*	wet location listed
REL6LED-WH-HO	High Output		
REL6LED-WH-HO-SD	High Output/Self Diagnostic		

*Wet Location Option can only be used on SD Units

Outdoor Die Cast Emergency and Egress Light



- Die Cast Aluminum Housing
- Gasketed Polycarbonate Lens
- Self Diagnostic Standard
- Photosensor Included
- Std. Operating Temp: 0°C to 50°C
- 4.8V, 1800 mAh Ni-Cad Battery
- 11W | 1000 lms | 5000K | 80 CRI - AC
- EM Mode 250 lms delivered
- Cold Weather Option: -20°C to 50°C
- UL Listed for damp location to UL924 standards
- IP65 Rated
- LED Lamps: 5 Year Limited Warranty
- Other Components: 1 Year Limited Warranty

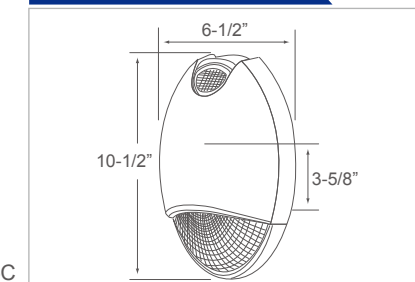
ORDERING GUIDE

Example: REL7LED-OB-C

Model	Finish	Cold Weather Option
REL7LED	-OB Oil Rubbed Bronze -WH White	-C Cold Weather Heatpad

When normal utility power fails, the internal solid-state transfer switch automatically connects the internal battery to the LED lamps, lighting a path of egress for no less than 90 minutes. When utility power is restored the battery is recharged by the onboard solid-state recharger. Full recharge is accomplished within 12 hours.

DIMENSIONS



REL7LED
L: 6-1/2" | H: 10-1/2" | D: 3-5/8"

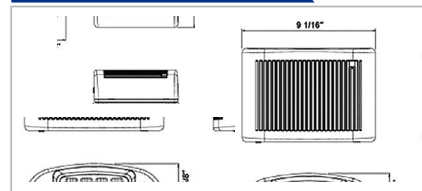
Specifications and dimensions subject to change. Lumens are delivered unless otherwise noted. See website for most current information.

Outdoor Full Cutoff Emergency



- 120-277V Universal Voltage
- Die Cast Aluminum Housing
- Gasketed Polycarbonate Lens
- Self Diagnostic Standard
- Photosensor Included
- Std. Operating Temp: 0°C to 50°C
- 7.2V, 2000 mAh Ni-Cad Battery
- 18W | 1500 lms | 4000K | 80 CRI
- Cold Weather Option: -25°C to 50°C
- UL Listed for damp location to UL924 standards
- LED Lamps: 5 Year Limited Warranty
- Other Components: 1 Year Limited Warranty

DIMENSIONS



REL5LED
L: 9-1/8" | H: 6-5/16" | D: 2-5/8"

ORDERING GUIDE

Example: REL5LED-OB-C

Model	Finish	Cold Weather Option
REL5LED	-OB Oil Rubbed Bronze -BK Black -WH White	-C Cold Weather Heatpad

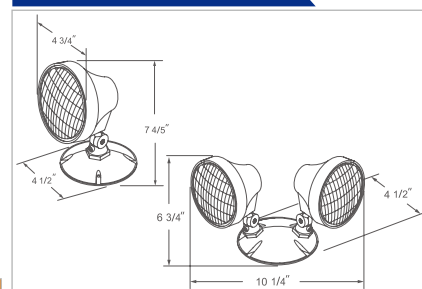
An ultra slim profile, integrated photocell, cold weather heatpad and emergency battery with self-diagnostics. The design provides emergency lighting that increases safety, security, and visibility in commercial and industrial applications.

Wet Location Remote Heads



- White Thermoplastic ABS Housing
- Adjustable Heads
- DC 3V - 12V Input
- LED Lamp: 1 x 1W | 2 x 1W
- Fits Standard Electrical Box
- UL Listed for wet location
- LED Lamp: 5 Year Limited Warranty
- Other Components: 1 Year Limited Warranty
- Use only with RH compatible units: REL22-1, RXEL39-1, REL6 (standard output only), RXEL25 (single head only)

DIMENSIONS



RH19: L: 4-3/4" | H: 7-4/5" | D: 4-1/2"
RH20: L: 10-1/4" | H: 8-3/4" | D: 4-1/2"

ORDERING GUIDE

Example: RH19

Model	Description
RH19	Single Wet Remote Head
RH20	Double Wet Remote Heads

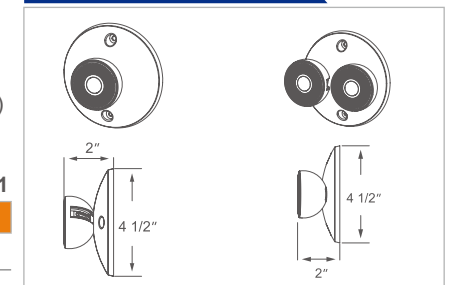
Specifications and dimensions subject to change. Lumens are delivered unless otherwise noted. See website for most current information.

Indoor Remote Heads



- White Thermoplastic ABS Housing
- Adjustable Heads: Narrow and Wide Lens
- DC 3.6V Input
- LED Lamp: 1 x 1W | 2 x 1W
- Fits Standard Electrical Box
- UL Listed for damp location
- LED Lamp: 5 Year Limited Warranty
- Other Components: 1 Year Limited Warranty
- Use only with RH compatible units: REL22-1, RXEL39-1, REL6 (standard output only), RXEL25 (single head only)

DIMENSIONS



RH21/RH22 Lamp
Dia: 4-1/2" | D: 2"

ORDERING GUIDE

Example: RH21

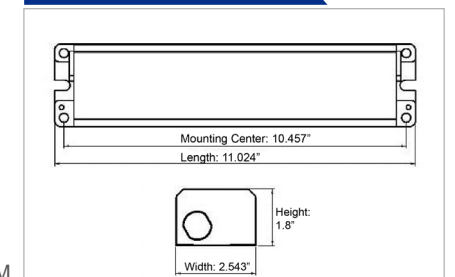
Model	Description
RH21	Single Head/Wide Lens
RH21-N	Single Head/Narrow Lens
RH22	Double Head/Wide Lens
RH22-N	Double Head/Narrow Lens

Constant Power Emergency LED Battery Back-up



- 120-277 Universal Voltage
- Operates for minimum 90 minutes when normal power fails
- Operating Temp: 10°C to 50°C
- 9.6V, 3000 mAh LiFePO4 Battery
- AC Input Power: 7W
- Output Power: 12W Constant Power
- Output Voltage: 10-60VDC
- UL Listed to UL924 Standard
- Field or Factory Installation (Indoor/Damp)
- IC Rated for use in Plenum
- 1 Year Limited Warranty
- For use with HO external driver fixtures

DIMENSIONS



4783EM
L: 11-1/32" | H: 1-13/16" | D: 2-17/32"

ORDERING GUIDE

Example: 4783EM

Model	Description
4783EM	Universal Battery Back-up for DC LED fixtures in case of power failure.

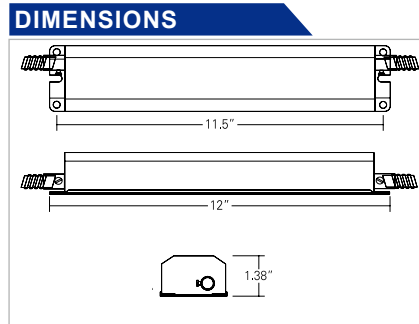
Universal Battery Back-up for DC LED fixtures in case of power failure.

Specifications and dimensions subject to change. Lumens are delivered unless otherwise noted. See website for most current information.

Emergency LED Battery Back-up



- 120-277V Universal Voltage
- Operates 120V LED (120V) or DC LED (with driver) for minimum 90 minutes when normal power fails
- Operating Temp: 0°C to 50°C
- 11.1V, 2600 mAh Li-Ion Battery
- AC Input Power: 3.5W
- Output Power: 9W (+/-10%)
- Output Voltage: 24V - 120V DC
- cULus Listed to UL924 Standard
- Field or Factory Installation (Indoor/Damp)
- 1 Year Limited Warranty
- Test Switch / Charging Indicator Light
- Request testing to ensure compatibility



ORDERING GUIDE

Example: 4782EM

Model
4782EM

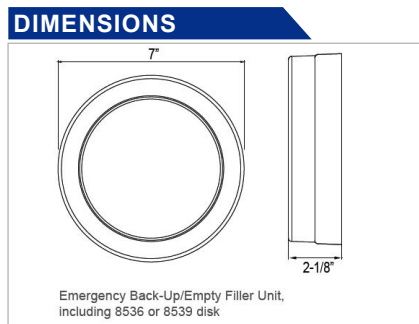
4782EM
L: 12" H: D: 1-3/8"

Universal Battery Back-up for 120V LED AC and DC (external driver) LED fixtures in case of power failure.

7" LED Flush Mount Emergency Back-up



- 120V - 60Hz
- For use with 8536-1 Only
- Non-Switch Loads Only (Always On)
- Emergency Output - 600 nominal lms
- Operating Temperature - 0°C to +55°C
- 11.1V , 2600 mAh Ni-MH Battery
- 4785EM: UL Listed for damp location to UL924 standards
- 1 Year Limited Warranty



ORDERING GUIDE

Example: 4785EM

Model	Description
4785EM	EM Batter Backup with Test Switch
4785F	Empty Filler Housing Only

4785
Dia: 7" D: 2-1/8"

Specifications and dimensions subject to change. Lumens are delivered unless otherwise noted. See website for most current information.

Emergency Battery Backup for 442X Outdoor LED Cylinder



Wall Cylinder Assembly

- 120V - 60Hz
- For use with 442X Outdoor LED Family
- Non-Switch Loads Only (Always On)
- Emergency Output - 20% of nominal power
- Operating Temperature - 0°C to +55°C
- One-piece emergency battery back-up unit allowing to junction box mounting
- 1 Year Limited Warranty

ORDERING GUIDE

Example: 4785EM

Model	Description
4787EM	EM Batter Backup with Test Switch
4787F	Empty Filler Housing Only

Specifications and dimensions subject to change. Lumens are delivered unless otherwise noted. See website for most current information.



Outdoor Lighting Overview



4423
3" LED Architectural
Cylinder Downlight
Page 170



4424
3" LED Architectural Cylinder
Up & Downlight
Page 170



4425
4" LED Architectural
Cylinder Downlight
Page 170



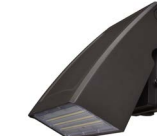
4426
4" LED Architectural Cylinder
Up & Downlight
Page 170



4427
4" LED Architectural Square
Square Downlight
Page 171



4428
4" LED Architectural Square
Square Up & Downlight
Page 171



4432-1
Adjustable Full-Cutoff
Wall Pack
Page 171



4401
Residential Outdoor Wall
Mount
Page 172



4433
Residential Outdoor Wall
Mount
Page 172



4406-30
Outdoor Wall Sconce
Page 173



4407
Outdoor Wall Lantern
Page 174



4408
Outdoor Cone Wall Mount
Page 174

Warranty Information



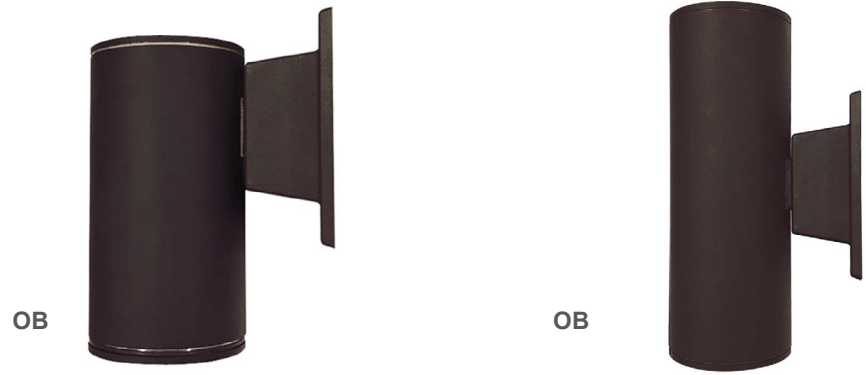
Integrated LED Lights



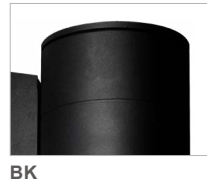
Other Components

Specifications and dimensions subject to change.
Lumens are delivered unless otherwise noted.
See website for most current information.

3" LED Architectural Cylinder



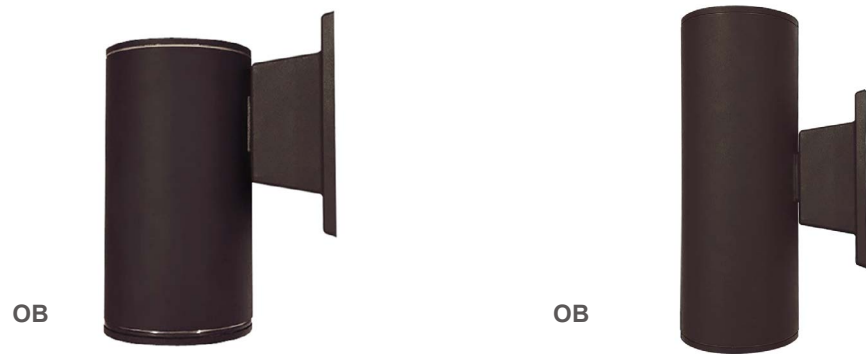
- 120V - 60Hz
- 3000K or 4000K | 80 CRI
- Dimmable TRIAC, 5% -100%
- 37° Beam Angle
- 4787 EM Compatible
- Die Cast Aluminum with acrylic diffuser
- Operating Temp: -30°C to +40°C
- 13W | 845 lms delivered per side
- 17W | 1105 lms delivered per side
- cCSAus Listed for wet location
- LED Lamp: 5 Year Limited Warranty
- Other Components: 1 Year Limited Warranty



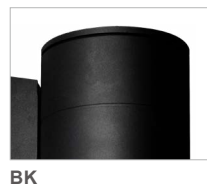
Example: 4423BK-17-3K

Model		Finish		Watts		CCT	
4423	Downlight Only	BK	Black	-13	13W	-3K	3000K
4424	Up and Downlight	OB	Oil Rubbed Bronze	-17	17W	-4K	4000K

4" LED Architectural Cylinder



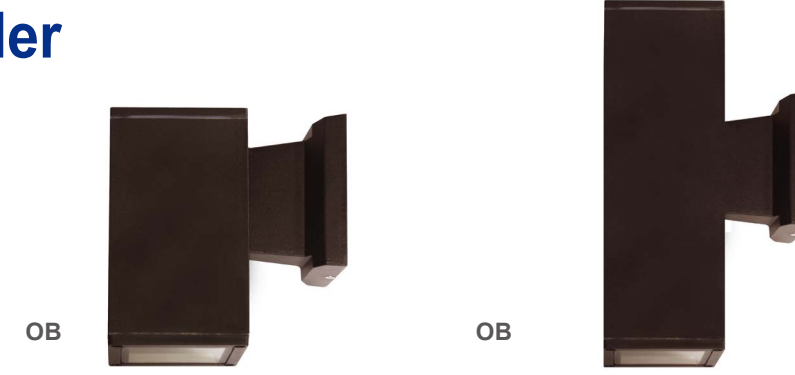
- 120V - 60Hz
- 3000K or 4000K | 80 CRI
- Dimmable TRIAC, 5% -100%
- 37° Beam Angle
- 4787EM compatible
- Die Cast Aluminum with acrylic diffuser
- Operating Temp: -30°C to +40°C
- 13W | 845 lms delivered per side
- 17W | 1105 lms delivered per side
- 27W | 1755 lms delivered per side
- cCSAus Listed for wet location
- LED Lamp: 5 Year Limited Warranty
- Other Components: 1 Year Limited Warranty



Example: 4426OB-13-4K

Model		Finish		Watts		CCT	
4425	Downlight Only	BK	Black	-13	13W	-3K	3000K
4426	Up and Downlight	OB	Oil Rubbed Bronze	-17	17W	-4K	4000K
				-27	27W		

4" LED Architectural Square Cylinder



- 120V - 60Hz
- 3000K or 4000K | 80 CRI
- Dimmable TRIAC, 5% -100%
- 37° Beam Angle
- 4787EM Compatible
- Die Cast Aluminum with acrylic diffuser
- Operating Temp: -30°C to +40°C
- 13W | 845 lms delivered per side
- 17W | 1105 lms delivered per side
- 27W | 1755 lms delivered per side
- cCSAus Listed for wet location
- LED Lamp: 5 Year Limited Warranty
- Other Components: 1 Year Limited Warranty



Example: 4427BK-17-3K

Model		Finish		Watts		CCT	
4427	Downlight Only	BK	Black	-13	13W	-3K	3000K
4428	Up and Downlight	OB	Oil Rubbed Bronze	-17	17W	-4K	4000K
				-27	27W		

Adjustable Full-Cutoff Wall Pack



- 120-277V - 60 Hz
- 4000K or 5000K | 80 CRI
- Die Cast Aluminum with fresnel lens
- 100° Beam Angle
- 0°C to 90°C Adjustable | Integrated Photocell
- Operating Temp: -40°C to 40°C
- 30W | 3600 lms | 150W HID Equivalent
- 60W | 7200 lms | 250W HID Equivalent
- 80W | 9600 lms | 350W HID Equivalent
- cETLus Listed for wet location
- IP65 Listed | DLC Listed
- LED Lamp: 5 Year Limited Warranty
- Other Components: 1 Year Limited Warranty

Model		Finish		Watts		CCT	
4432-1		OB	Oil Rubbed Bronze	-30	30W	-4K	4000K
				-60	60W	-5K	5000K
				-80	80W		

Specifications and dimensions subject to change. Lumens are delivered unless otherwise noted. See website for most current information.

Specifications and dimensions subject to change. Lumens are delivered unless otherwise noted. See website for most current information.

Residential Outdoor Wall Mount



BK

- 120V - 60Hz
- 3000K | 80 CRI
- Dimmable
- Integrated Photocell
- Steel construction with acrylic lens
- Operating Temp: -20°C to 40°C
- 15W | 1050 lms | 8" x 12-1/4" x 5-1/8"
- cETLus Listed for wet location
- LED Lamp: 5 Year Limited Warranty
- Other Components: 1 Year Limited Warranty

ORDERING GUIDE

Example: 4401LED-BK

Model	Finish
4401LED	BK Black

Residential Outdoor Wall Mount



BK

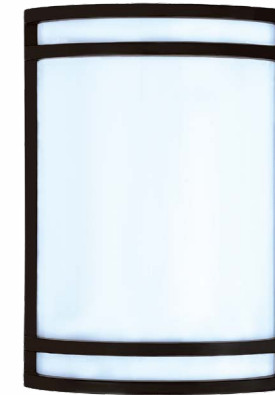
- 120V - 60Hz
- 4000K | 80 CRI
- Aluminum with acrylic lens
- Integrated Photocell
- 15W | 1050 lms | 10-1/2" x 6" x 4-1/2"
- 25W | 1500 lms | 13" x 7-1/2" x 5"
- cETLus Listed for wet location
- LED Lamp: 5 Year Limited Warranty
- Other Components: 1 Year Limited Warranty

ORDERING GUIDE

Example: 4433OB-15-4K

Model	Finish	Watts	CCT
4433	OB Oil Rubbed Bronze	-15 15W	-4K 4000K
		-25 25W	

Outdoor Wall Sconce



BK

- 120V - 60Hz
- 3000K | 80 CRI integrated LED
- Steel construction with acrylic lens
- Operating Temp: -20°C to 40°C
- Integrated Photocell
- 15W | 800 lms
- 7" W x 9-7/8" H x 3-3/8" D
- cETLus Listed for wet location
- ADA Compliant
- LED Lamp: 5 Year Limited Warranty
- Other Components: 1 Year Limited Warranty

ORDERING GUIDE

Example: 4406-30-BA

Model	Finish
4406-30	-BA Brushed Aluminum
	-BK Black
	-OB Oil Rubbed Bronze



BA



OB



see 4404-30 for indoor use pg 122

Outdoor Wall Lantern



BK

- 120V - 60Hz
- 3000K | 90 CRI
- Integrated Photocell
- Steel construction with clear bubble glass lens
- Operating Temp: -20°C to 40°C
- 1 x 9W E26 A19 LED Lamp Included
- 11-1/2" x 6" x 8"
- cETLus Listed for wet location
- CEC JA8 Compliant
- 1 Year Limited Warranty

ORDERING GUIDE

Example: 4405BK-E26

Model	Finish	Lamp
4405-30	-BK Black	-E26 9W A19 LED Lamp Included

LED Lamp is JA8 Compliant

Specifications and dimensions subject to change. Lumens are delivered unless otherwise noted. See website for most current information.

Specifications and dimensions subject to change. Lumens are delivered unless otherwise noted. See website for most current information.

Outdoor Wall Lantern



BK

- 120V - 60Hz
- 3000K | 90 CRI
- Dimmable TRIAC, 10-100%
- Aluminum construction with frosted glass lens
- Operating Temp: -20°C to 40°C
- 1 x 9W E26 A19 LED Lamp Included
- 4-5/8" x 6" x 8-1/2"
- cELTus Listed for wet location
- 1 Year Limited Warranty

ORDERING GUIDE

Example: 4407BK-E26

Model	Finish		
4407	-BK Black	-E26	9W A19 LED Lamp Included

LED Lamp is JA8 Compliant

Outdoor Cone Wall Mount



BK

- 120V - 60Hz
- 3000K | 90 CRI
- Dimmable TRIAC, 10-100%
- Steel construction
- Operating Temp: -20°C to 40°C
- 1 x 9W E26 A19 LED Lamp Included
- 10-1/2" x 11-5/8" x 8-3/4"
- cELTus Listed for wet location
- 1 Year Limited Warranty

ORDERING GUIDE

Example: 4408BK-E26

Model	Finish		
4408	-BK Black	-E26	9W A19 LED Lamp Included

LED Lamp is JA8 Compliant



Specifications and dimensions subject to change.
Lumens are delivered unless otherwise noted.
See website for most current information.



Mini Lens Outdoor LED Step Light



OB

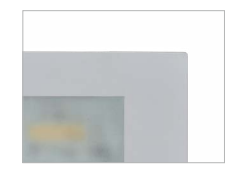
- 120V - 60Hz
- 3000K | 80 CRI
- LED 4W | 120 lms
- 5" W x 3-1/8" H
- Aluminum front cover with glass lens
- Horizontal or Vertical Mount
- Mounts in a single gang electrical box
- cETLus Listed for wet location
- IC rated for non-cellulose insulation
- LED Lamp: 5 Year Limited Warranty
- Other Components: 1 Year Limited Warranty

ORDERING GUIDE Example: 8920WH

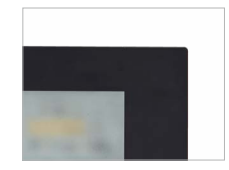
Model	Finish	
8920	BA	Brushed Aluminum
	BK	Black
	OB	Oil Rubbed Bronze
	WH	White



BA



WH



BK

Louvered Outdoor LED Step Light



BK

- 120V - 60Hz
- 3000K | 80 CRI
- LED 5W | 60 lms
- 120° Beam Angle
- 4-3/4" H x 9-3/8" W x 3-1/2" D
- Louvered metal front cover with clear glass lens
- Horizontal Mount Only
- Mounts in 5-gang electrical box for direct pour concrete
- cETLus Listed for wet location
- IC Rated for non-cellulose insulation
- LED Lamp: 5 Year Limited Warranty
- Other Components: 1 Year Limited Warranty

ORDERING GUIDE Example: 8924WH

Model	Finish	
8924	BA	Brushed Aluminum
	BK	Black
	WH	White



BA



WH

Specifications and dimensions subject to change. Lumens are delivered unless otherwise noted. See website for most current information.

Mini Louvered Outdoor LED Step Light



- 120V - 60Hz
- 3000K | 80 CRI
- LED 3W | 45 lms
- 4-1/2" H x 2-3/4" W x 3/4" D
- Louvered metal front cover with clear glass lens
- Horizontal and Vertical Mount
- Mounts in a single gang electrical box
- cETLus Listed for wet location
- IC rated for non-cellulous insulation
- LED Lamp: 5 Year Limited Warranty
- Other Components: 1 Year Limited Warranty

ORDERING GUIDE

Example: 8918WH

Model	Finish	
8918	BA	Brushed Aluminum
	BK	Black
	WH	White



WH



BK

Outdoor LED Mini Step Light



- 120V-60Hz
- 3000K | 80 CRI
- LED 5W | 215 lms
- 4-3/4" H x 2-7/8" W x 3/4" D
- Louvered metal cover with acrylic lens
- Horizontal and Vertical Mount
- Mounts in a single gang electrical box
- IC rated for direct contact w/ insulation
- cCSAus listed for wet location
- State of California Title 24
- 5 year limited warranty

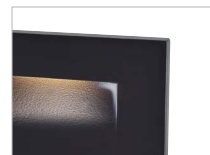
ORDERING GUIDE

Example: 8919WH-1

Model	Finish	
8919__-1	OB	Oil Rubbed Bronze
	BK	Black
	WH	White



WH



BK



Specifications and dimensions subject to change.
Lumens are delivered unless otherwise noted.
See website for most current information.



Track Lighting Overview



7553
Round Flat Back
Page 182



7554
Square Flat Back
Page 182



7577
Round Back
Page 182



7574
Flair Shallow Profile
Page 182



7575
Flair Shallow Profile
Page 182



7576
Flair Shallow Profile
Page 182



7578
Tech Form
Page 182



7579, 7580
Tech Form
Page 182



7526
Gimbal Ring
Page 183



7551
Mesh Roundback Head
Page 183



7528
Gimbal Ring
Page 183



7588
Tech Form
Page 183



7584
Round Back
Page 183



7589
Flaired Shallow Profile
Page 183



7953, 7953-4
Track Pack, LED Track Heads
Page 184



7594
Suspended Decorative Glass
Page 187



49354-3K
3 Head Light Bar
Page 185



49353-3K
4 Head Light Bar
Page 185



49355, 4956
5 and 6 Head Light Bars
Page 185

Warranty Information



Integrated LED Lights



Other Components

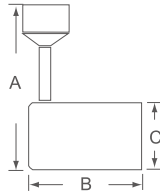
Specifications and dimensions subject to change.
Lumens are delivered unless otherwise noted.
See website for most current information.

Track Heads






The small-size heads provide a compact lighting solution for residential, retail, and commercial applications. With a variety of standard finishes, simple dimmable LED lamps, and J-track compatibility these fixtures offer solid flexibility for many needs.

- 120V Operating Voltage
 - 3000K | 90 CRI
 - Dimmable TRIAC, 15-100%
 - 38° Beam Spread
 - J-track Compatible
 - Factory Conversion to H-track
- Compatible Available
 - Polycarbonate Lens
 - LED Lamp Included
 - cETLus Listed for dry location
 - 5 Year Limited Warranty



7553WH, BK, BA Round Flat Back 8W 650 lms  A: 4-1/2" B: 2-3/4" C: 2-1/4"	7574WH, BK, BA Flair Shallow Profile 10W 730 lms  A: 4-1/4" B: 4-1/4" C: 3-1/4"	7554WH, BK, BA Square Flat Back 8W 650 lms  A: 4-1/2" B: 2-3/4" C: 2-1/4"
--	---	---

7575WH, BK, BA Flair Shallow Profile 10W 730 lms  A: 4-1/4" B: 4-1/4" C: 3-1/4"	7577WH, BK, BA Round Back 10W 645 lms  A: 4-1/4" B: 3-3/4" C: 2-1/2"	7576WH, BK, BA Flair Shallow Profile 15W 900 lms  A: 4" B: 6-7/8" C: 5-3/8"
---	--	---

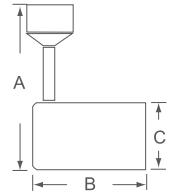
7578WH, BK, BA Tech Form 12W 800 lms  A: 6-1/4" B: 4-1/2" C: 2-5/8"	7580WH, BK, BA Tech Form 20W 1300 lms  A: 7-1/2" B: 5-1/4" C: 4"	7579WH, BK, BA Tech Form 12W 800 lms  A: 7-1/2" B: 5-1/4" C: 4"
---	--	---

Track Heads






The small-size heads provide a compact lighting solution for residential, retail, and commercial applications.

- 120V Operating Voltage
- J-track Compatible
- Factory Conversion to H-track
- Lamps Not Included
- UL Listed for dry location
- 1 Year Limited Warranty



Finishes Available: White (WH), Black (BK), Brushed Aluminum (BA)

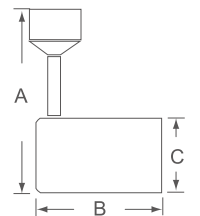
7526-LWH, BK, BA Gimbal Ring 75W PAR30  A: 7-1/4" B: 4-7/8" C: 3-15/16"	7528-LWH, BK, BA Gimbal Ring 50W PAR20  A: 6-1/2" B: 4-1/4" C: 2-5/8"	7551-LGWH, GBA Mesh Roundback Head 50W GU10 lamp  A: 4-1/2" B: 2-3/4" C: 2-3/16"
---	---	--

Track Heads






The small-size heads provide a compact lighting solution for residential, retail, and commercial applications. With a variety of standard finishes, simple dimmable LED lamps, and J-track compatibility these fixtures offer solid flexibility for many needs.

- 120V Operating Voltage
 - 3000K | 90 CRI
 - Dimmable TRIAC, 15-100%
 - J-track Compatible
 - Factory Conversion to H-track
- Compatible Available
 - Polycarbonate Lens
 - LED Lamp Included
 - cETLus Listed for dry location
 - 5 Year Limited Warranty



Finishes Available: White (WH), Black (BK), Brushed Aluminum (BA)

7584WH, BK, BA Round Back 10W 800 lms 40° Beam Spread  A: 3-5/8" B: 2-7/10" C: 2-1/2"	7589WH, BK, BA Flaired Shallow Profile 15W 1200 lms 40° Beam Spread  A: 4-1/4" B: 4-3/5" C: 3-7/10"	7588WH, BK, BA Tech Form 28W 2016 lms 36° Beam Spread  A: 6" B: 5-2/5" C: 5"
--	--	---

Specifications and dimensions subject to change. Lumens are delivered unless otherwise noted. See website for most current information.

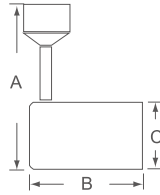
Specifications and dimensions subject to change. Lumens are delivered unless otherwise noted. See website for most current information.

Track Pack with LED Track Heads



The small-size heads provide a compact lighting solution for residential, retail, and commercial applications. With a variety of standard finishes, simple dimmable LED lamps, and J-track compatibility these fixtures offer solid flexibility for many needs.

- 120V Operating Voltage
- 3000K | 90 CRI
- Dimmable TRIAC, 15-100%
- J-track Compatible
- Acrylic Lens
- Each head: 8W | 650 lms
- LED lamps included
- cETLus Listed for dry location
- 5 Year Limited Warranty



Finishes Available: White (WH), Black (BK), Brushed Aluminum (BA)

7953WH, BK, BA

Included In a Single Box:
1 - 4' track (7604)
1 - Floating Feed (7629)
3 - Round Flat Back Heads (7553)

7953-4WH, BK, BA

Included In a Single Box:
1 - 4' track (7604)
1 - Floating Feed (7629)
4 - Round Flat Back Heads (7553)

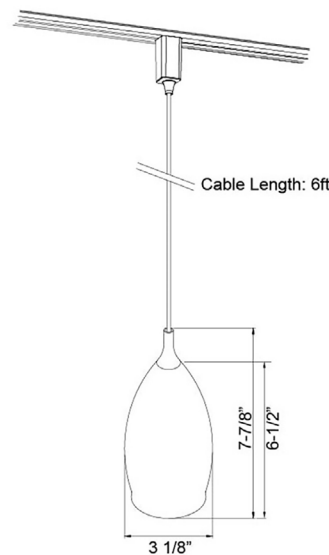


LED Suspended Decorative Glass



The small-size heads provide a compact lighting solution for residential, retail, and commercial applications. With a variety of standard finishes, simple dimmable LED lamps, and J-track compatibility these fixtures offer solid flexibility for many needs.

- 120V Operating Voltage
- 3000K | 90 CRI
- Dimmable TRIAC, 15-100%
- J-track Compatible
- 6' Adjustable Hanging Cord
- Use RPL+F Track (sold separately)
- 7W | 450 lms | LED Lamp Included
- cETLus Listed for dry location
- 5 Year Limited Warranty



7594WBA



Finishes Available: White glass with Brushed Aluminum Cord (WBA)

3 or 4 Head Light Bar



Contemporary, clean and cool, this eye-catching LED light bar incorporates a subtle wave, providing an instant touch of classic, yet modern design. An ideal choice for enhancing the look and feel of almost any interior space, great for residential kitchens, bars, and hospitality applications.

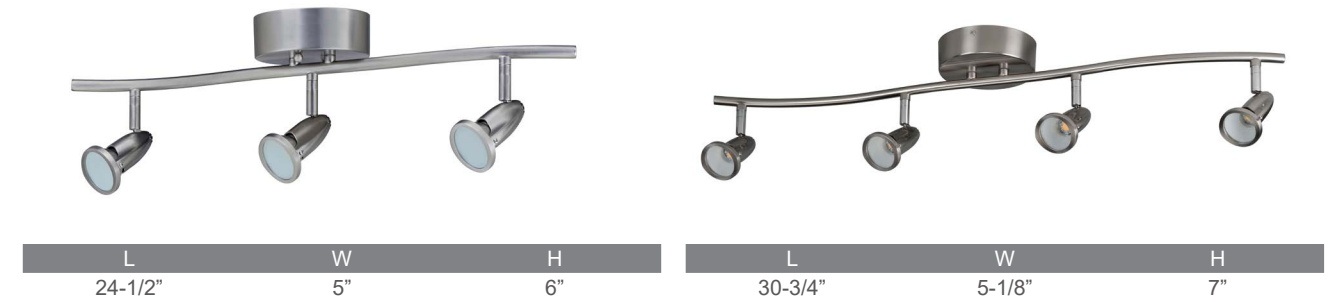
- 120V Operating Voltage
- 3000K | 80 CRI
- Dimmable TRIAC, 10-100%
- 330° Horizontal Head Rotation
- 90° Vertical Head Rotation
- 74° Beam Spread
- LED Lamps Included
- Energy Star Listed
- cETLus Listed for damp location
- 5 Year Limited Warranty

49354-3K-BN

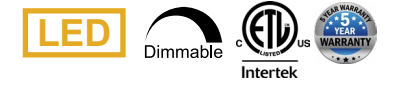
Available in Brushed Nickel (BN)
3-Track Heads | 15W | 950 total lms

49353-3K-BN

Available in Brushed Nickel (BN)
4-Track Heads | 20W | 1481 total lms



5 or 6 Head Light Bar



Contemporary, clean and cool, this eye-catching LED light bar incorporates a subtle wave, providing an instant touch of classic, yet modern design. An ideal choice for enhancing the look and feel of almost any interior space, great for residential kitchens, bars, and hospitality applications.

- 120V Operating Voltage
- 3000K | 80 CRI
- Dimmable TRIAC, 10-100%
- 330° Horizontal Head Rotation
- 90° Vertical Head Rotation
- 74° Beam Spread
- LED Lamps Included
- cETLus Listed for damp location
- 5 Year Limited Warranty

49355BN

Available in Brushed Nickel (BN)
5-Track Heads | 22W | 1400 total lms



49356BN

Available in Brushed Nickel (BN)
6-Track Heads | 28W | 1750 total lms



Specifications and dimensions subject to change. Lumens are delivered unless otherwise noted. See website for most current information.

Specifications and dimensions subject to change. Lumens are delivered unless otherwise noted. See website for most current information.

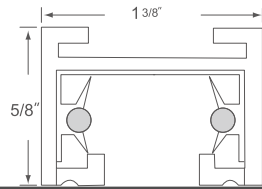
Track Section

RP Lighting's J-track is designed to be affordable yet flexible to provide dramatic lighting where you need it.



Available in: White (WH), Black (BK), Brushed Aluminum (BA)

- 7602WH, BK, BA** 2' Track
- 7604WH, BK, BA** 4' Track
- 7606WH, BK, BA** 6' Track
- 7608WH, BK, BA** 8' Track



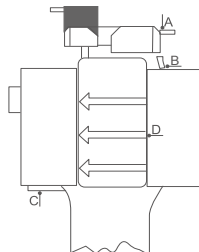
Connector

Single Circuit

- A. The best possible electrical conductivity due to Beryllium copper contacts
- B. True, positive electrical ground wire
- C. Spring-loaded positive latch secures track fixtures to track
- D. Embossed polarity arrows on side of adapter



To ensure correct installation, each section has a polarity line indicating the positive conductor side. Both lights and track connectors, when installed properly, have arrows which point to the track polarity line.



Track Lighting Accessories

7620WH, BK

Wireway Cover
Color: white (WH), black (BK)



7621WH, BK

Live End-Feed with Canopy
Color: white (WH), black (BK)



7622WH

Live-End Feed with 10' cord included
Color: white (WH)



7623WH, BK, BA

Mini-Straight Connector
Color: white (WH), black (BK), brushed aluminum (BA)



7624WH, BK, BA

L-Connector/
Straight Connector
Color: white (WH), black (BK), brushed aluminum (BA)



7625WH, BK

T-Connector
Color: white (WH), black (BK)



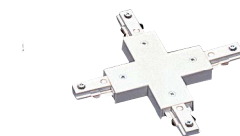
7629WH, BK, BA

Floating Feed
Color: white (WH), black (BK), brushed aluminum (BA)



7626WH, BK

X-Connector
Color: white (WH), black (BK)



Track Lighting Accessories

7634WH, BK, BA

Conduit Connector
Color: white (WH), black (BK), brushed aluminum (BA)



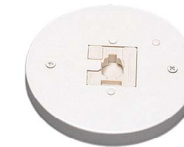
7638WH, BK, BA

Live End Feed
Color: white (WH), black (BK), brushed aluminum (BA)



7640WH, BK, BA

Mono-Point Adapter
Color: white (WH), black (BK), brushed aluminum (BA)



7642WH, BK

Flexible Connector
Color: white (WH), black (BK)



7644WH, BK

Pendant Adapter
Color: white (WH), black (BK)
20LB Weight Limit



7647WH, BK, BA

H-track Connector
Color: white (WH), black (BK), brushed aluminum (BA)



7646WH, BK

T-Bar Connector
Color: white (WH), black (BK)



7695WH

Suspension Cable
Includes 48" cable connection to back of track.
Color: white (WH)



Suspension Kit

Includes: canopy, stem length, connection to back of track

7654-12WH, BK

12" Suspension Stem Kit

7654-18WH, BK

18" Suspension Stem Kit



Color: white (WH), black (BK)

7651WH, BK

Grounded Receptacle
Color: white (WH), black (BK)



7652WH, BK

Suspension Hook
Color: white (WH), black (BK)



7653

T-Bar Clip



7681WH, BK, BA

End Cap
Color: white (WH), black (BK), brushed aluminum (BA)



7694WH, BK

Slope Ceiling Adapter
Color: white (WH), black (BK)



Index

Ceiling Fans	1060LED	51	1RP88LED-_	64
1004	1062-1	59	1RP89LED-_	64
1005	1063-1	60	1RP98LED-3K	64
1005LED	1064-1	61		
1007	1065	31	Fan Accessores	
1007LED	1065LED	30	DC-BK	68
1008LED	1067	42	DC-BN	68
1015W	1068	44	DC-OB	68
1016W	1069	45	DC-WW	68
1021-ES	1070W-	48	LC-BK-79	66
1022-ES	1071	27	LC-BN-79	66
1023-ES	1071LED	26	LC-BN-102	66
1024-ES	1072	41	LC-OB-79	66
1025	1072LED	40	LC-OB-102	66
1025LED	1073	39	LC-WW-79	66
1032-1	1073LED	38	LC-WW-102	66
1037	1074	23	LK10_-E26-L	65
1041	1074LED	22	LK12_-E26-L	65
1041LED	1078	11	LK30_-E26-L	65
1042	1078LED	11	LK412_-E26-L	65
1042LED	1079	10	RC-10	67
1043LED-1	1079LED	10	SA45 BN	69
1044LED-1	1080W-	49	SA45 OB	69
1045LED-1	1086W	50	SA45 WW	69
1046-1	1091	53	T-09 BK	68
1046LED-1			T-09 BN	68
1047-1	Fan Light Kits		T-09 NM	68
1047LED-1	1RP8.....	62	T-09 WH	68
1048-1	1RP18.....	62	T-09 WT	68
1048LED-1	1RP22	63	WC-3	67
1049	1RP28_-E26-L	64	WC-4	67
1049LED	1RP31_-LED	64	WC-8	67
1052	1RP32-LED	64	WC-13	67
1053	1RP69-1LED-_	64	WC-16	67
1054	1RP82	63		
1057-1	1RP83_-LED	64	Light Kits	
1060	1RP84_-LED	64	2004CG	65

Index

2004FG	65	8317H	94	8821-1	94, 95
2015CG	65	8317HR	95	8822-1	94, 95
2015FG	65	8320H	77	8824	94, 95
2021G	65	8321H	78	8825	94, 95
2061G	65	8523	83, 101, 102, 104	8842-1	109
3001G	65	8523-E	83, 101, 102	8861AJ	77
		8542-2	107	8861S	77
		8544	108	8862AJ	78
Recessed Lighting		8545	110	8862S	78
8042	93	8562	83, 101, 102		
8062	93	8563	83, 101, 102, 104	Recessed Accessories	
8082	93	8570	84	8998C	111
8096A	111	8571	84	FF109-300	111
8096B	81, 87, 88, 89, 111	8572	84	FF109-350	111
8102HAQ	103	8573	84	FF109X	111
8102HRA	104	8586	79, 80, 81	PF-3/4	107, 108, 110
8104HICA	105	8587	79, 80, 81	PF-6	107, 108, 110
8116HIC	84	8590	79, 80, 81		
8117HA	101	8651	85, 86, 87	Wall / Ceiling Mount	
8117HRA	102	8652	85, 86, 87	4313-1-30	120
8120H	79	8653	85, 86, 87	4313-2-30	120
8120HIC	80	8656	88	4314-1-30	120
8121H	81	8671	90, 91, 92	4314-2-30	120
8122H	85	8673	90, 91, 92	4318-1-30	120
8122HIC	86	8676	89	4318-2-30	120
8124H	87	8708	106	4319	114
8125H	90	8709	106	4325D-1-30	117
8125HIC	91	8711	107	4325D-2-30	118
8126H	92	8723	96, 98, 100	4326D-1-30	117
8162H	88	8723-E	96, 97	4326D-2-30	118
8163H	89	8724	82	4327D-1-30	117
8199HICA-FR	83	8742-2	107	4327D-2-30	118
8201HA	98	8744	108	4328-1	119
8201HRA	99	8763	96, 98, 100	4329-1	119
8202HA	100	8773	96, 98, 100	4330-1	119
8215HA	96	8775.....	109	4336	126
8215HRA	97	8776	110	4337	126
8216-1FR-JB	82				

Index

4338	126	4909-2	130	4120	149	REL21-1	161	4406-30	173	7589	183
4340	121	4909-3	130	4205	146	REL21-BK	161	4407	174	7594WBA	184
4341-1	123	4909-4	130	4217	147	REL21-C	161	4408	174	7602	186
4342-1	123	4910-2	131	4218	147	REL21-N	161	4423	170	7604	186
4345-2-30	121	4910-3	131	4309-1	148	REL22-1	162	4424	170	7606	186
4347	122	4910-4	131	4310-1	148	REL22-N	162	4425	170	7608	186
4348-1	122	4911-2	130	4311-1	148	REL23-1SD	162	4426	170	7620	186
4350-1	117	4911-3	130	4312-1	148	REL23-N-SD	162	4427	171	7621	186
4352	118	4911-4	130	8966	144	REL23-N-SD-C	162	4428	171	7622	186
4404-30	127	4917-18	134	8966-2734	144	REL23-SD-C	162	4432-1	171	7623	186
4503-30	127	4917-24	134	8967	144	REL35-	160	4433	172	7624	186
4505-30	126	4917-36	134	8967-5CCT	144	REL-200	161, 162			7625	186
4506	114, 135	4917-48	134	8968	144	REL-600	163	Step Lighting		7626	186
8536-1	115, 116	4918-1	132	8968-5CCT	144	RH19	164	8918	178	7629	186
8537	116	4918-2	132	8969	144	RH20	164	8919__-1	178	7634	187
8538	125	4918-3	132	8969-5CCT	144	RH21	165	8920	177	7638	187
8548	119	4918-4	132	8970	144	RH21-N	165	8924	177	7640	187
8554	125			8970-5CCT	144	RH22	165			7642	187
8556	123, 124	Decorative Suspended		8971	144	RH22-N	165	Track Lighting		7644	187
8739-1	115	4600	139	8971-5CCT	144	RXEL25-	158	49353-3K-BN	185	7646	187
8748	119	4601	138	8972	144	RXEL35	157	49354-3K-BN	185	7647	187
8756	124	4602	138	8972-5CCT	144	RXEL36	157	49355BN	185	7651	187
		4606	140			RXEL37-1	158	49356BN	185	7652	187
Vanity Lighting		4613-3	141	Emergency/Exit		RXEL38-1	159	7526-L	183	7653	187
		4613-5	141	4782EM	166	RXEL39-1	159	7528-L	183	7654-12	187
4506	114, 135	4614-3	139	4783EM	165	RXEL40-1	160	7551-L	183	7654-18	187
4905-18	135	4614-4	139	4785EM	166	RXL5	153	7553	182	7681	187
4905-24	135	4615	140	4785F	166	RXL15-1	156	7554	182	7694	187
4905-36	135			4787EM	167	RXL16-1	156	7574	182	7695	187
4906-1-18	131	Linear Lighting		4787F	167	RXL17	154	7575	182	7953	184
4906-1-24	131	4105-40	146	REL5LED	164	RXL18	154	7576	182	7953-4	184
4906-1-36	131	4106-40	146	REL6LED-WH	163	RXL28	153	7577	182		
4906-1-48	131	4115-1	145	REL6LED-WH-HO	163	RXL33	155	7578	182		
4907-18	133	4115DM-1	145	REL6LED-WH-HO-SD	163	RXL34	155	7579	182		
4907-24	133	4116-1	145	REL6LED-WH-SD	163			7580	182		
4907-36	133	4116DM-1	145	REL7LED	163	Outdoor Lighting		7584	183		
4907-48	133	4117-1	149	REL20-1	161	4401LED	172	7588	183		



RP | LIGHTING • FANS

4931 Paseo Del Norte NE
Albuquerque, NM 87113
Phone: (505) 821-6964
Toll Free: (800) 937-6925

www.RPLighting.com
RPLighting@RPLighting.com
Fax: (505) 821-0367

2024 RP Lighting • Fans ©