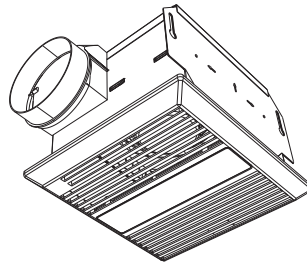


BATH VENTILATION FAN



MODEL: BVF50L BVF70L

WARNING

TO REDUCE THE RISK OF FIRE, ELECTRIC SHOCK, OR PERSONAL INJURY, OBSERVE THE FOLLOWING:

- Use this unit only in the manner intended by the manufacturer. If you have questions, contact the manufacturer at the address or telephone number listed in the warranty.
- Before servicing or cleaning the unit, switch the power off at the service panel. If possible, lock out the switch. If the switch cannot be locked, securely fasten a prominent warning device, such as a tag, to the service panel.
- Installation work and electrical wiring must be performed by a qualified person(s) in accordance with all applicable codes and standards, including fire-rated construction codes and standards.
- Sufficient air is needed for proper combustion and exhausting of gases through the flue (chimney). Proper venting is essential to expel gases safely and prevent backdrafting. Follow the heating equipment manufacturer's guideline and safety standards such as those published by the National Fire Protection Association (NFPA), and the American Society for Heating, Refrigeration, and Air Conditioning Engineers (ASHRAE), and the local code authorities.
- When cutting or drilling into the wall or ceiling, do not damage electrical wiring and other hidden utilities.
- Ducted fans must always be vented to the outdoors.
- Acceptable for use over a tub or shower when connected to a GFCI (Ground Fault Circuit Interrupter) protected branch circuit.
- This unit must be grounded.

CAUTION

- For general ventilating use only. Do not use to exhaust hazardous or explosive materials and vapors.
- This product is designed for installation in ceilings that have up to a 12/12 pitch (45 degree angle). The duct connector must point up.
- To avoid motor bearing damage and noisy and/or unbalanced impellers, keep drywall spray, construction dust, and other contaminants out of power unit.
- Please read the specification label on the product for further information and requirements.
- Do not use in a cooking area.

CLEANING & MAINTENANCE

For quiet and efficient operation, long life, and an attractive appearance, lower or remove the grille and vacuum the interior of the unit with a dusting brush attachment.

The motor is permanently lubricated and never needs oiling. If the motor bearings make excessive or unusual noise(s), replace the motor with the same motor. The impeller should also be replaced.

OPERATION

Use an on/off switch to operate this fan. See "Connect Electrical Wiring" for details.

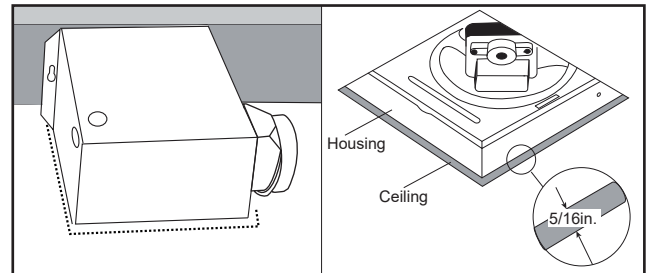
READ AND SAVE THESE INSTRUCTIONS
Installer: Leave this manual with the homeowner.

ASSEMBLY INSTRUCTIONS

POSITION THE HOUSING ASSEMBLY

Position the housing assembly against the joist. With a pencil, trace an outline of the housing assembly onto the ceiling. Set the housing aside, and cut out an opening for the fan.

Note: Hold the housing position 5/16" above the ceiling edge.

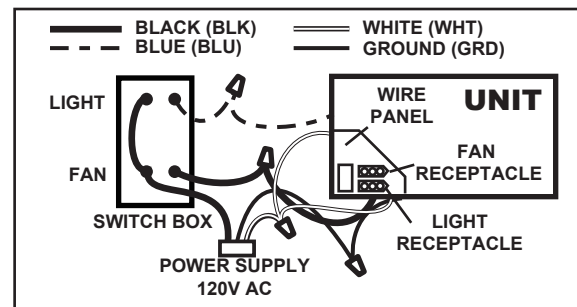
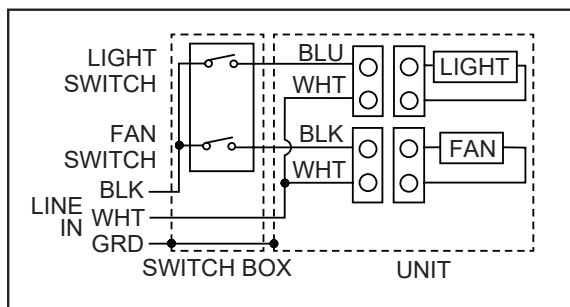


MOUNT DIRECTLY TO JOIST OR I-JOIST

Place the housing assembly in the opening so the bottom edge is flush with the finished ceiling. Fasten the housing assembly to the joist using nails.

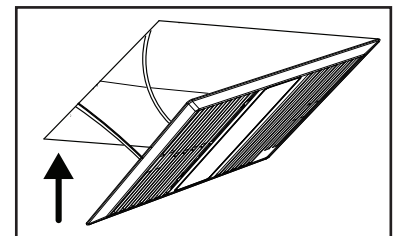
CONNECT ELECTRICAL WIRING

Run 120V AC house wiring to the location of the fan. Use only UL-approved wiring connectors (not included) to attach the house wiring to the wiring plate. Refer to the wiring diagram and connect the wires as shown.



INSTALL GRILLE

1. Insert the light plug from the grille assembly into the wire panel.
2. Pinch the grille springs on the sides of the grille and position the grille into the housing, with the grille springs in the appropriate slots.
3. Push the grille assembly towards the ceiling to secure.



WARRANTY

ONE YEAR LIMITED WARRANTY from the original date of purchase against defects in material and workmanship. This warranty is limited up to the amount of the original purchase price of the product, excluding any labor cost. For inquiries please visit WWW.RPLIGHTING.COM or call 1-800-937-6925.